

## DATASHEET

### Image



### General Information

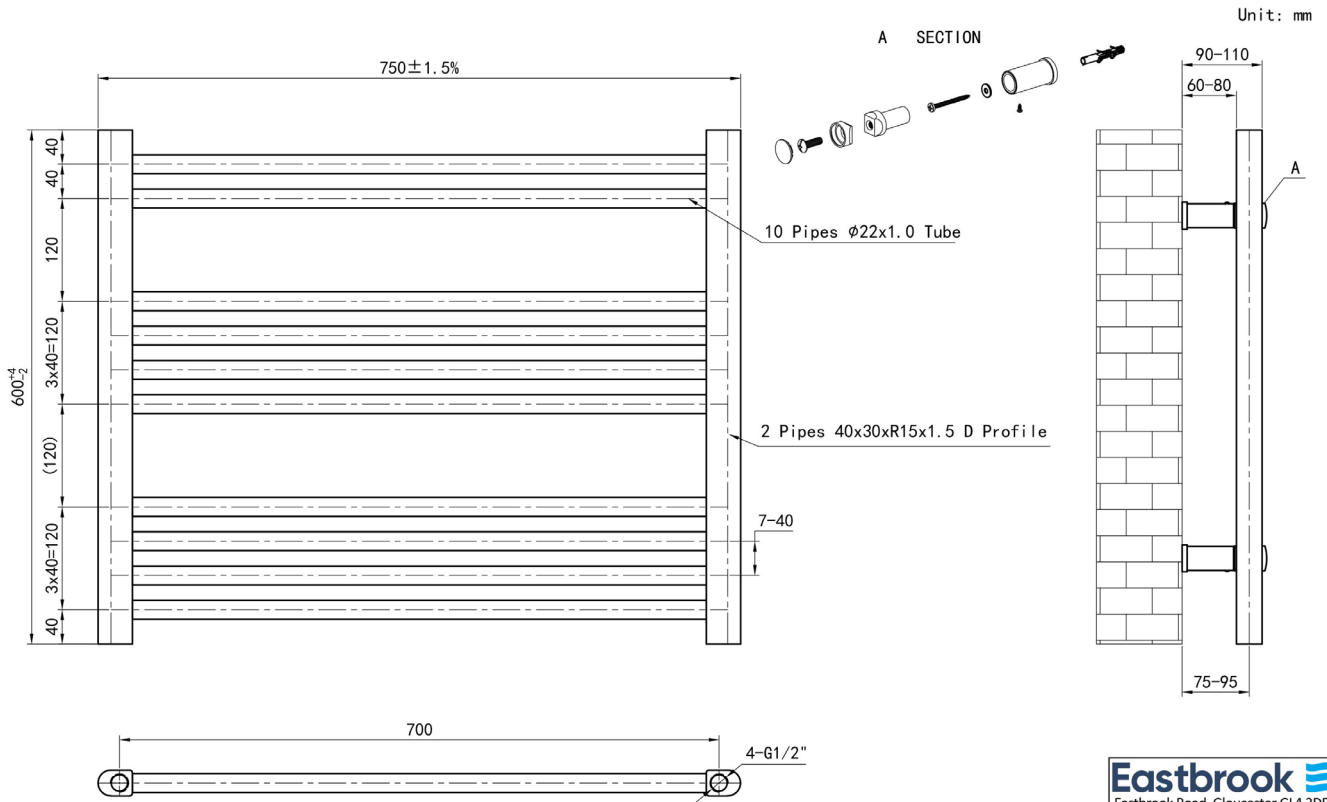
Product:	41.0076
Description:	Wendover Straight Multirail 600 x 750
Website Link:	<a href="#">(Click Here)</a>
Product Type:	Towel Rail
Brand:	Eastbrook Company
Colour:	Chrome
Material:	Mild Steel
Height (mm):	600mm
Width (mm):	750mm
Net Weight (kg):	6.1kg
Product Range:	Wendover

### Product Specifications

Warranty:	5 Year(s)
Supplied with fixings:	Yes
BTU $\Delta T50^{\circ}\text{C}$ :	880
BTU $\Delta T60^{\circ}\text{C}$ :	1112
Watts $\Delta T50^{\circ}\text{C}$ :	258
Watts $\Delta T60^{\circ}\text{C}$ :	326
Number of Horizontal Bars:	10

## Drawing

### Wendover Straight 600 x 750mm. Technical Drawing



**Eastbrook**   
Eastbrook Road, Gloucester GL4 3DB  
Technical Helpline : 01452 317890  
Mon - Fri / 8am - 5pm  
Email : [technical@eastbrookco.com](mailto:technical@eastbrookco.com)