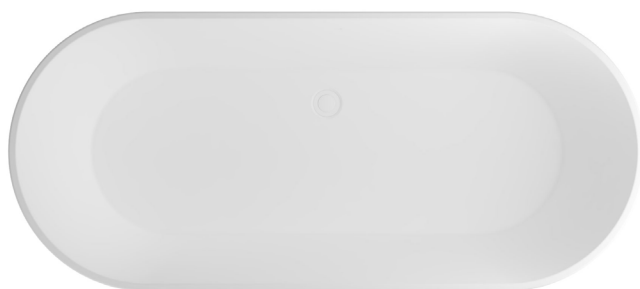


DATASHEET

Image



General Information

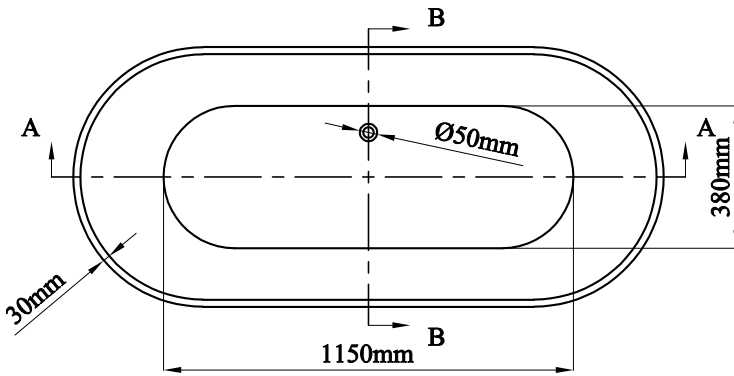
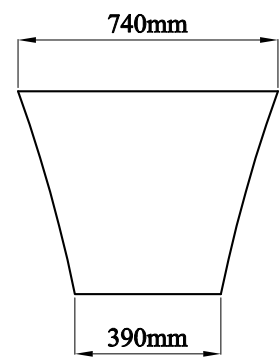
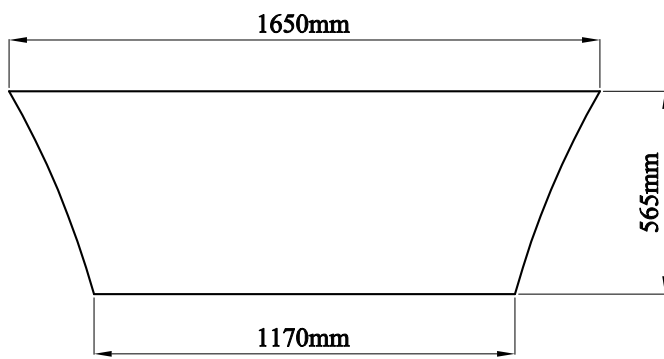
Product:	33.0059
Description:	Charlton 1650 x 740
Product Type:	Freestanding Bath
Brand:	Eastbrook Company
Colour:	Matt White
Material:	Double skinned 4mm thick acrylic
Height (mm):	565mm
Width (mm):	740mm
Length (mm):	1650mm
Net Weight (kg):	39kg
Product Range:	Charlton

Product Specifications

Warranty:	5 Year(s)
Water Capacity:	205L
Finish:	Matt
Compatible Tap Types:	Floor or wall mounted
Pre-drilled tap holes:	No

Drawing

Code: 33.0059
Dimensions: 1650x740x565 mm



SECTION A-A

SECTION B-B

