

12.062

12.063

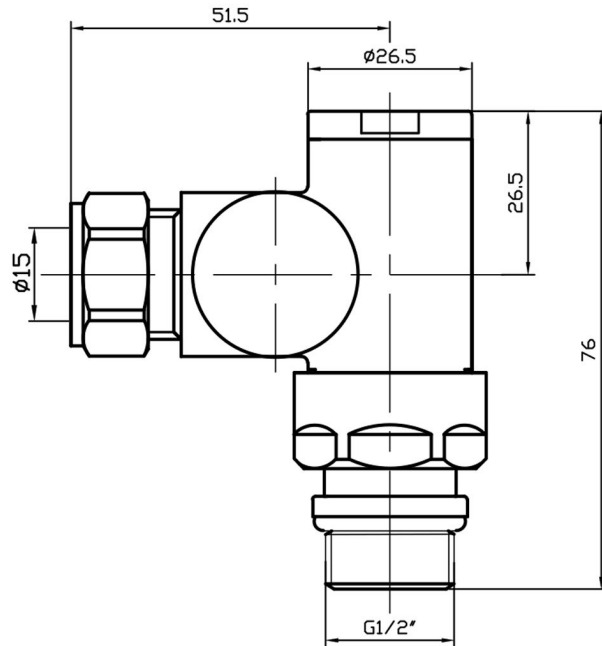
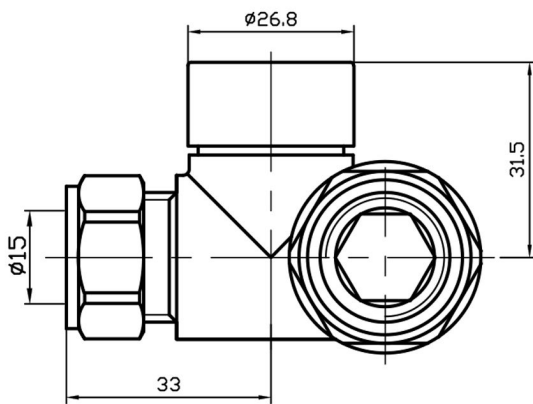
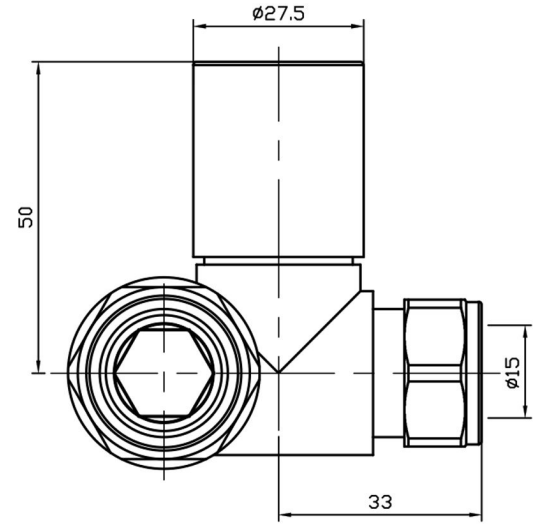
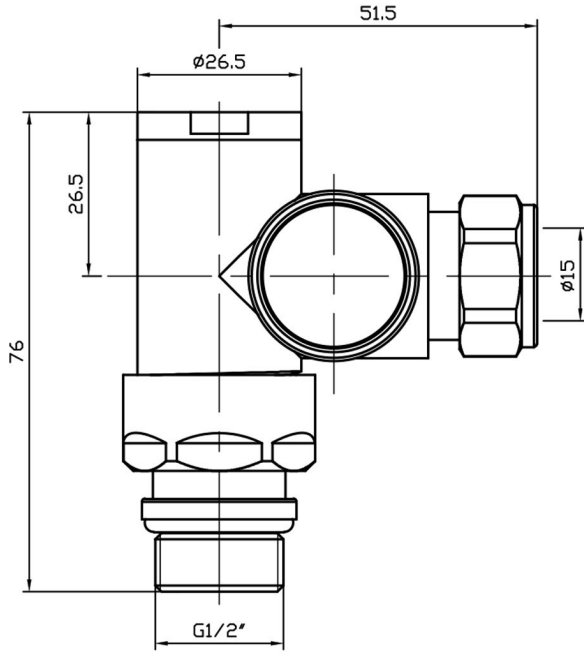
12.064

12.065

12.066

Technical Drawing

# Corner Manual Dual Fuel Valves Technical Drawing



**Eastbrook** 

Eastbrook Road, Gloucester GL4 3DB

Technical Helpline : 01452 317890

Mon - Fri / 8am - 5pm

Email : [technical@eastbrookco.com](mailto:technical@eastbrookco.com)