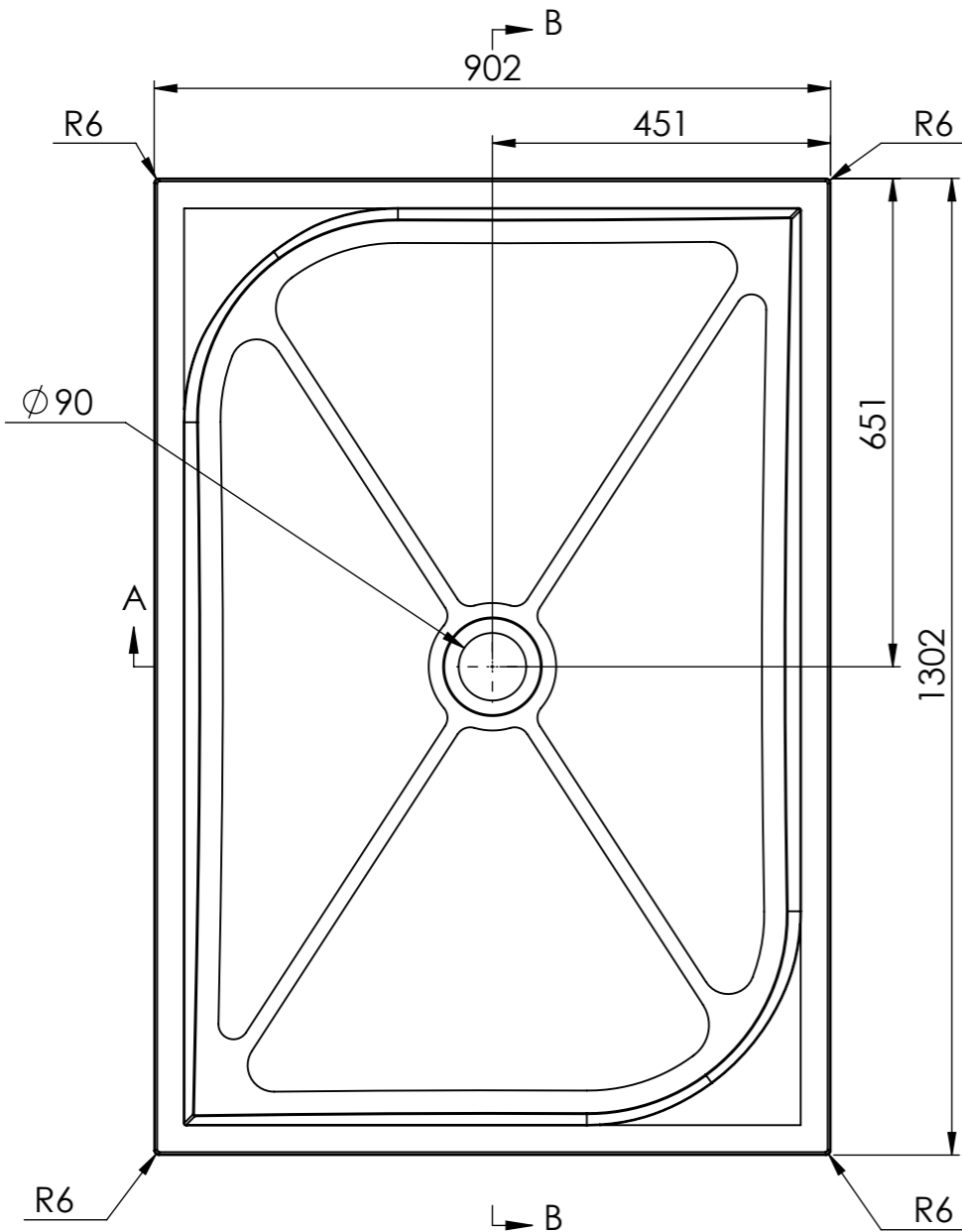
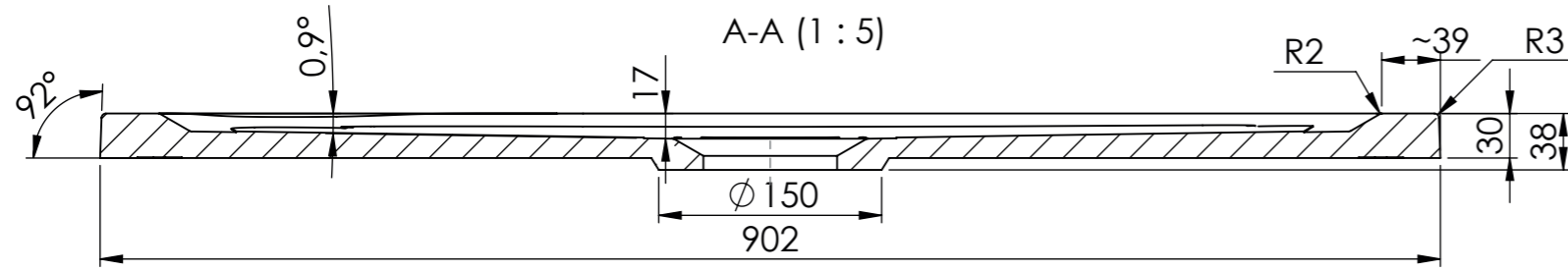
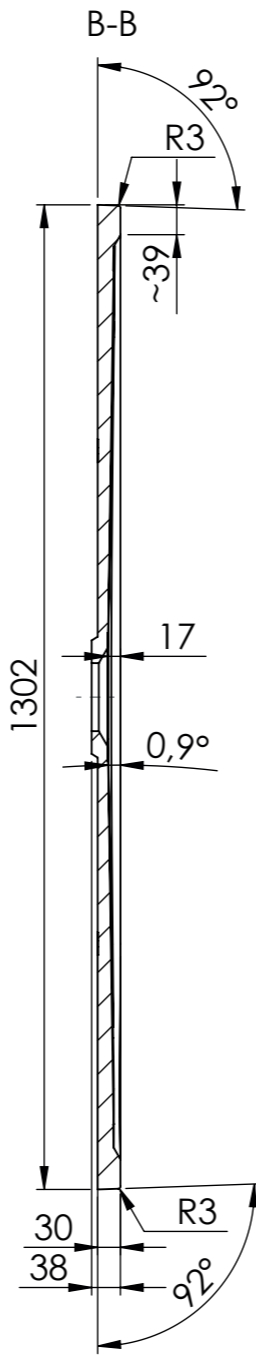
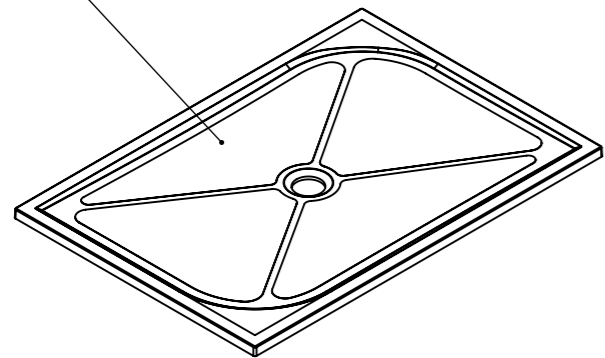


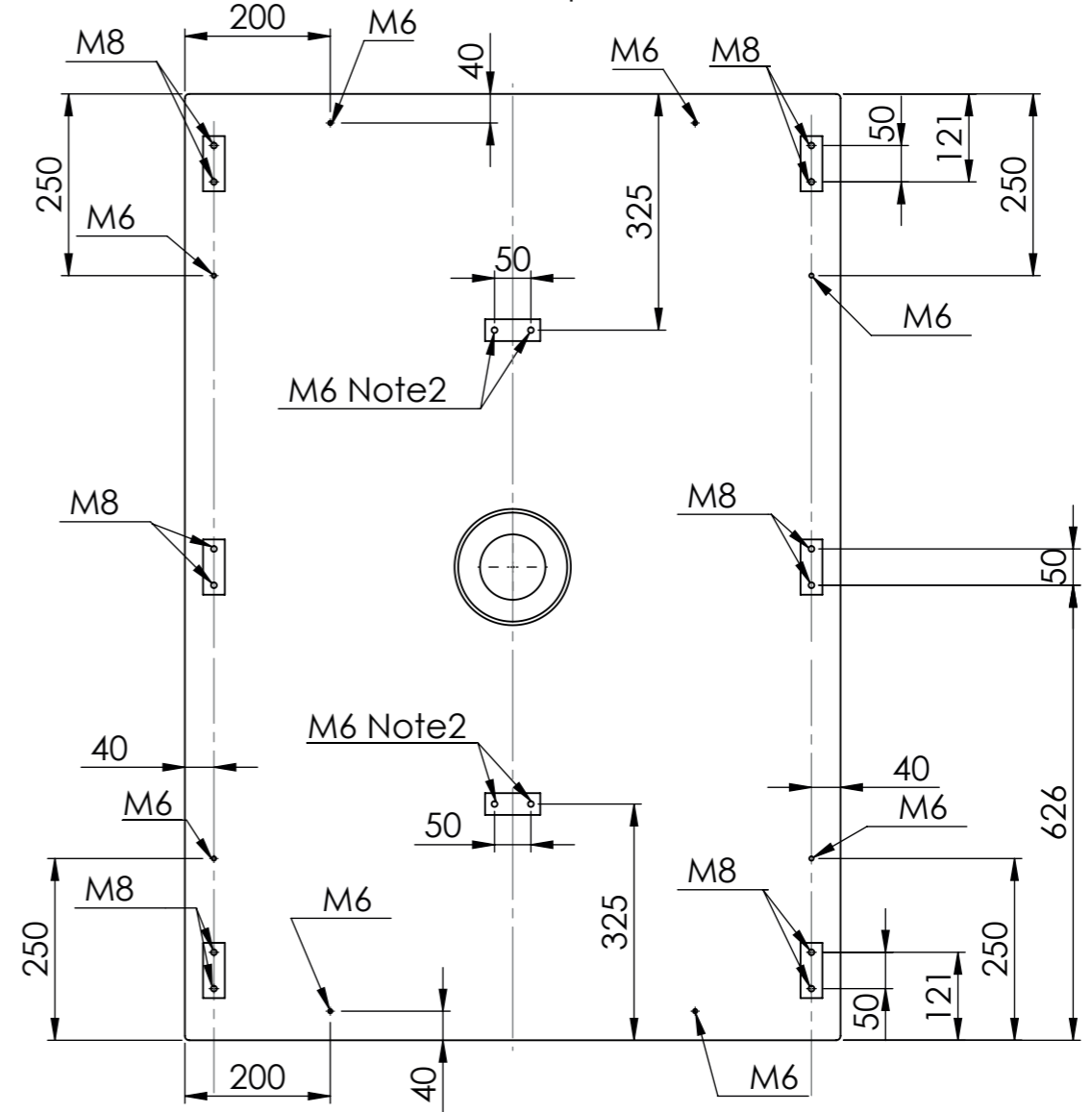
Rev	Design Change Note	Author	Date
A	Internal validation	KW	2016-05-05
001	First issue - proposal	KW	2016-05-10
002	Approved by the client	KW	2016-06-07



Structure surface/ Powierzchnia strukturalna



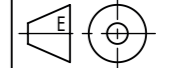
Bottom view - feet and front position/  
Widok z dołu - rozstaw stópki i mocowanie frontu



Notes/Uwagi:

- M8, M6 steel bearings/M8, M6 kotki stalowe
- M6 plastic bearings/ M6 kotki plastikowe

Tolerance length/width	+5/0 mm	Drawn by	Katarzyna W	Created Date	2016-05-05	Checked by	Rafal B	Art. Name:	VOLENTE 25 1300x900		
Tolerance height	+2/-2 mm	Project status	ECO	Client	EASTBROOK	Art. No.:	6040661330xx	Mould No.:	F4066133		
Tolerance plane bending	<1200 mm +2/-2 mm ≥1200 mm +3/-3 mm							Customer ID:	3119		
Tolerance thickness	+2/-2 mm	Material volume [mm³]	23967399.1	Overflow	No	Taphole	0	Main dimensions L x W / H [mm]	1302 x 902 / 38		
Tolerance feet location	+7/-7 mm	Surface area [mm²]	2478543.7	Sheet Size	A3	Scale	1:10	Drain	Regular		
Tolerance holes location	+2/-2 mm							Current revision	002		
Tolerance holes diameter	+1/-1 mm										



This document must not be copied without our written permission, and the contents thereof must not be imparted to a third party nor be used for any unauthorized purpose. Contravention will be prosecuted.