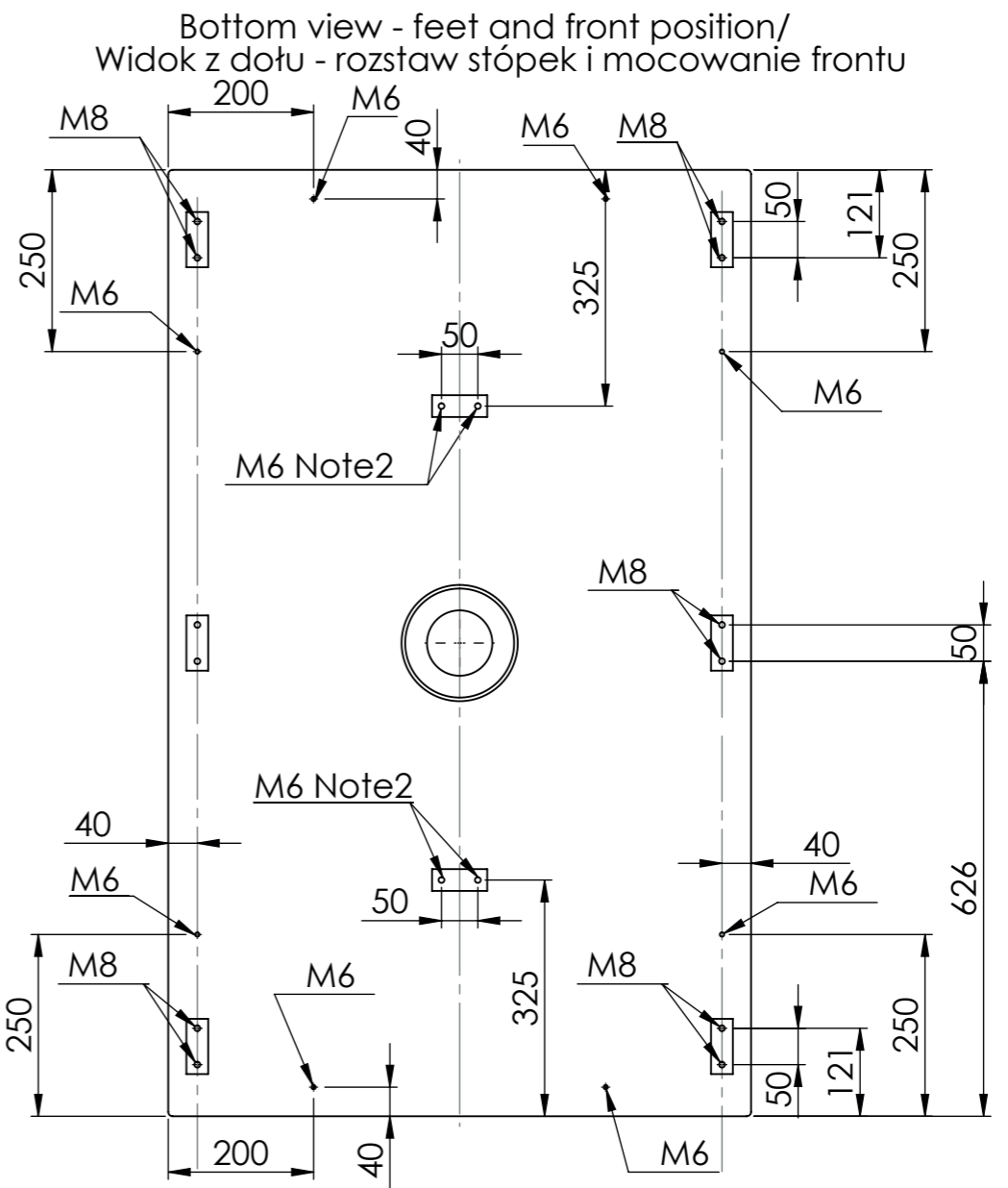
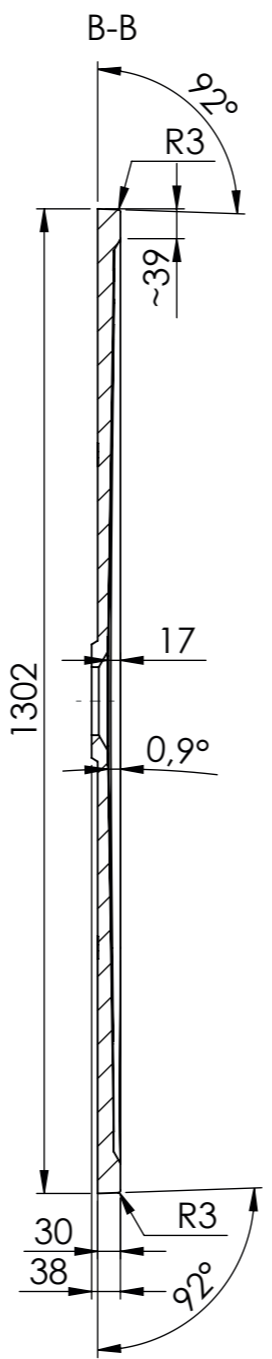
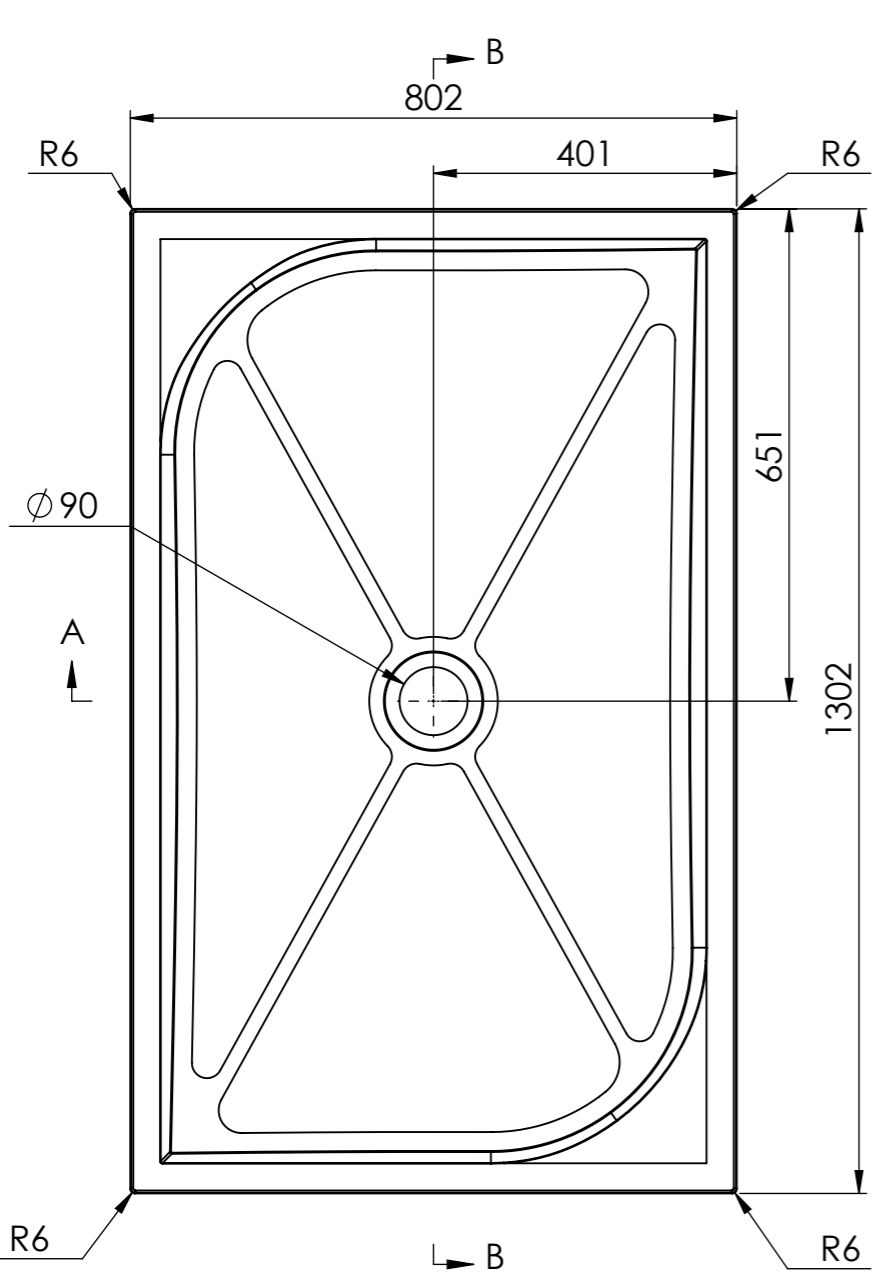
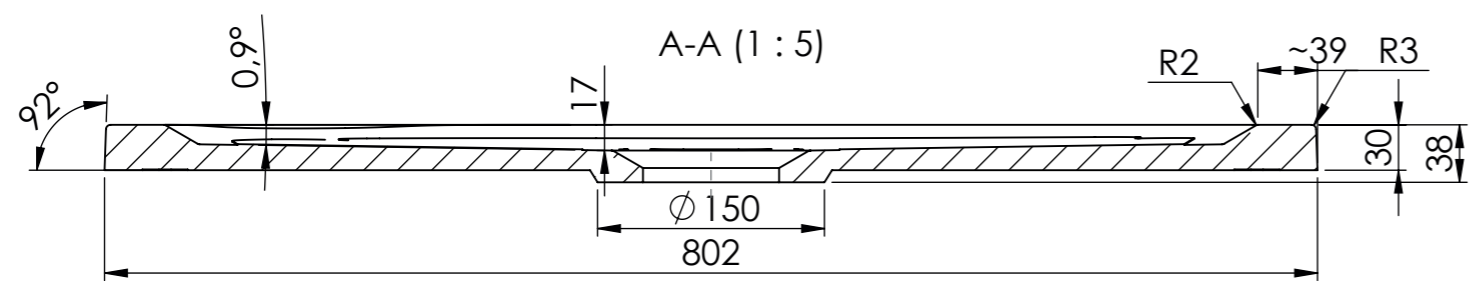
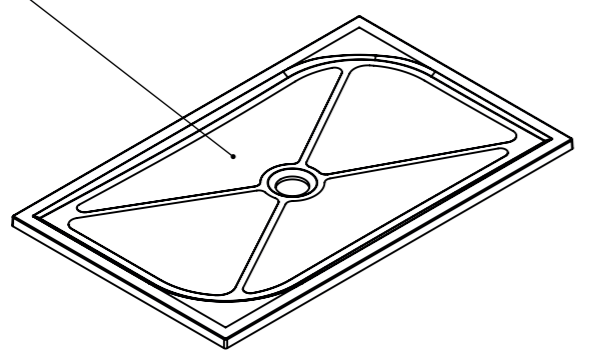


Rev	Design Change Note	Author	Date
A	Internal validation	KW	2016-05-05
001	First issue - proposal	KW	2016-05-10
002	Approved by the client	KW	2016-06-07



Structure surface/ Powierzchnia strukturalna



- Notes/Uwagi:
- M8, M6 steel bearings/M8, M6 kołki stalowe
 - M6 plastic bearings/ M6 kołki plastikowe

Tolerance length/width	+5/0 mm
Tolerance height	+2/-2 mm
Tolerance plane bending	<1200 mm +2/-2 mm ≥1200 mm +3/-3 mm
Tolerance thickness	+2/-2 mm
Tolerance feet location	+7/-7 mm
Tolerance holes location	+2/-2 mm
Tolerance holes diameter	+1/-1 mm

Drawn by	Katarzyna W	Created Date	2016-05-05	Checked by	Rafal B	Art. Name:	VOLENTE 25 1300x800			
Project status	ECO	Client	EASTBROOK		Art. No.:	6040651330xx	Mould No.:	F4065133		
Material volume [mm ³]	21302766.0	Overflow	No	Tap hole	0	Customer ID:	3119			
Surface area [mm ²]	2212412.2	Sheet Size	A3	Scale	1:10	Main dimensions L x W / H [mm]	1302 x 802 / 38		Drain	Regular
						Current revision	002			

This document must not be copied without our written permission, and the contents thereof must not be imparted to a third party nor be used for any unauthorized purpose. Contravention will be prosecuted.