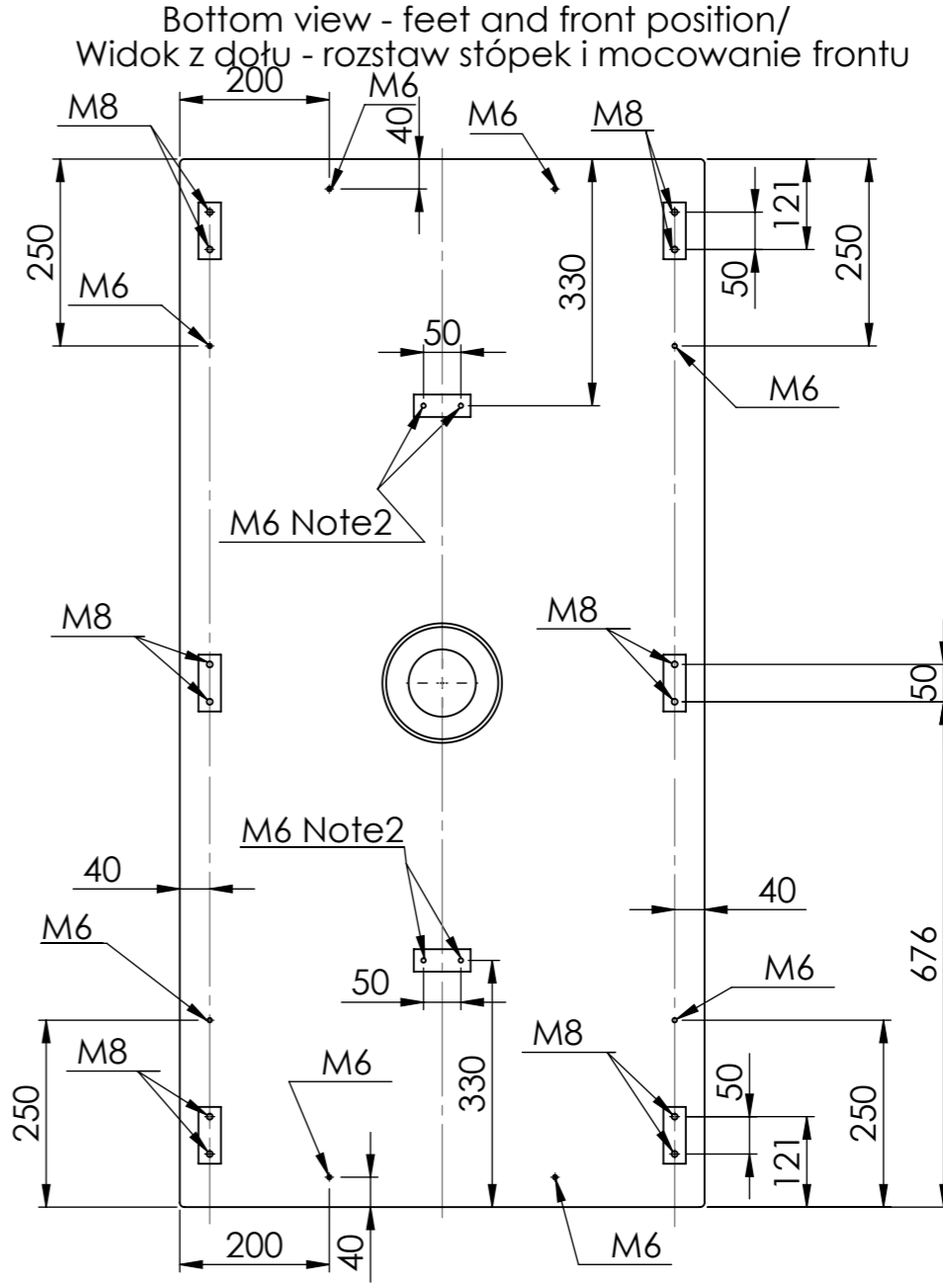
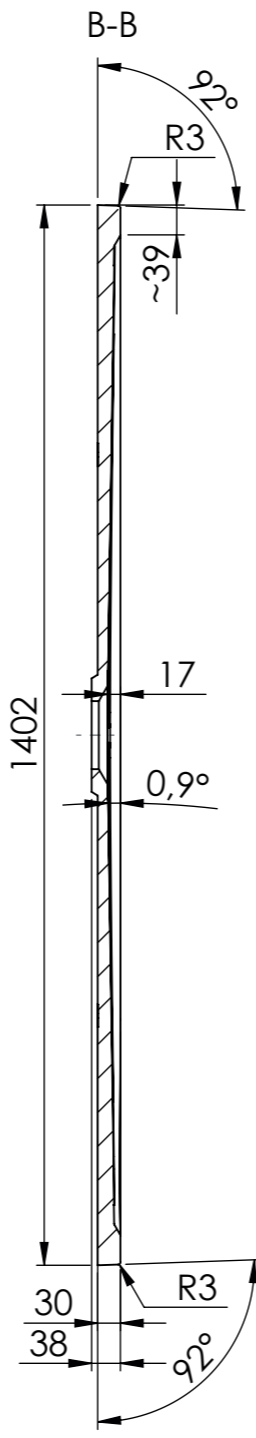
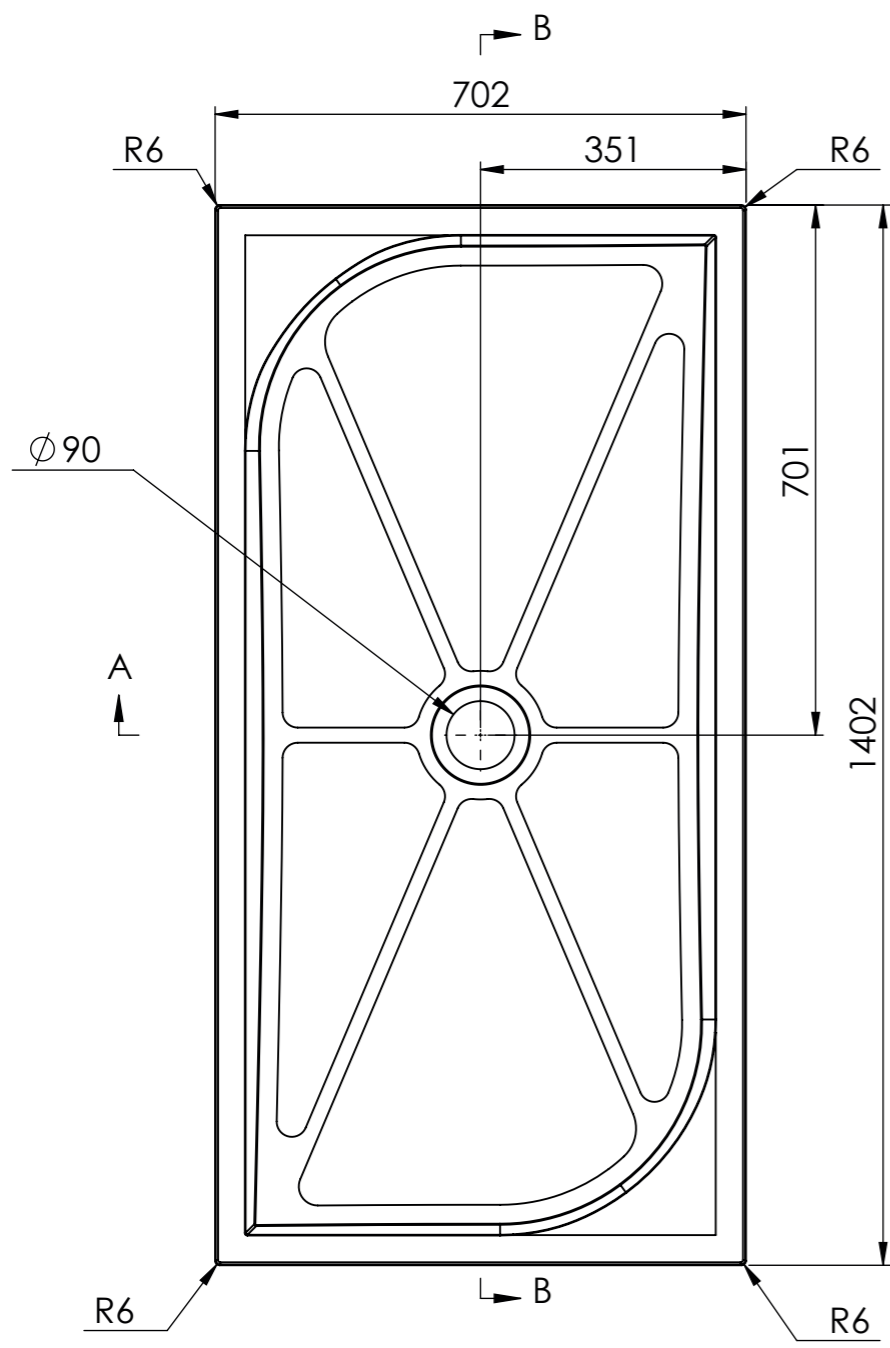
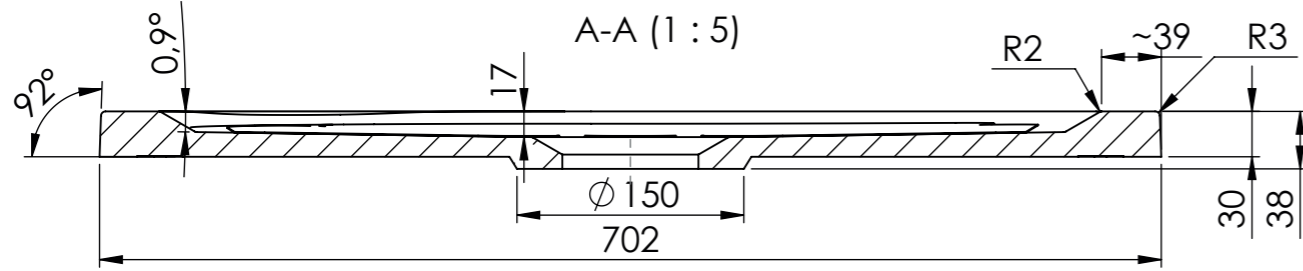
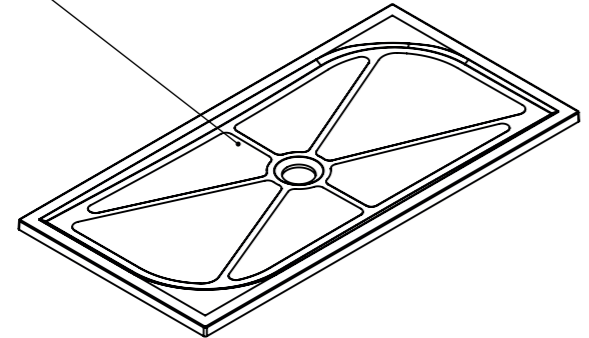


| Rev | Design Change Note               | Author | Date       |
|-----|----------------------------------|--------|------------|
| 001 | First issue - proposal           | KW     | 2016-05-10 |
| 002 | Approved by the client           | KW     | 2016-06-07 |
| 003 | Size and type of screw corrected | RB     | 2016-09-06 |



Structure surface/ Powierzchnia strukturalna



- Notes/Uwagi:
- M8, M6 steel bearings/M8, M6 kołki stalowe
  - M6 plastic bearings/M6 kołki plastikowe

|                          |  |                |             |                       |            |            |              |              |                     |                                |                 |                  |         |
|--------------------------|--|----------------|-------------|-----------------------|------------|------------|--------------|--------------|---------------------|--------------------------------|-----------------|------------------|---------|
| Tolerance length/width   | +5/0 mm                                  | Drawn by       | Katarzyna W | Created Date          | 2016-05-05 | Checked by | Rafal B      | Art. Name:   | VOLENTE 25 1400x700 |                                |                 |                  |         |
| Tolerance height         | +2/-2 mm                                 | Project status | Approved    | Client                | EASTBROOK  | Art. No.:  | 6040651430xx | Mould No.:   | F4065143            |                                |                 |                  |         |
| Tolerance plane bending  | <1200 mm: +2/-2 mm<br>>1200 mm: +3/-3 mm |                |             |                       |            |            |              | Customer ID: | 3119                |                                |                 |                  |         |
| Tolerance thickness      | +2/-2 mm                                 |                |             | Material volume [mm³] | 20294761.4 | Overflow   | No           | Tap hole     | 0                   | Main dimensions L x W / H [mm] | 1402 x 702 / 38 | Drain            | Regular |
| Tolerance feet location  | +7/-7 mm                                 |                |             | Surface area [mm²]    | 2092844.4  | Sheet Size | A3           | Scale        | 1:10                |                                |                 | Current revision | 003     |
| Tolerance holes location | +2/-2 mm                                 |                |             |                       |            |            |              |              |                     |                                |                 |                  |         |
| Tolerance holes diameter | +1/-1 mm                                 |                |             |                       |            |            |              |              |                     |                                |                 |                  |         |
|                          |  |                |             |                       |            |            |              |              |                     |                                |                 |                  |         |

This document must not be copied without our written permission, and the contents thereof must not be imparted to a third party nor be used for any unauthorized purpose. Contravention will be prosecuted.