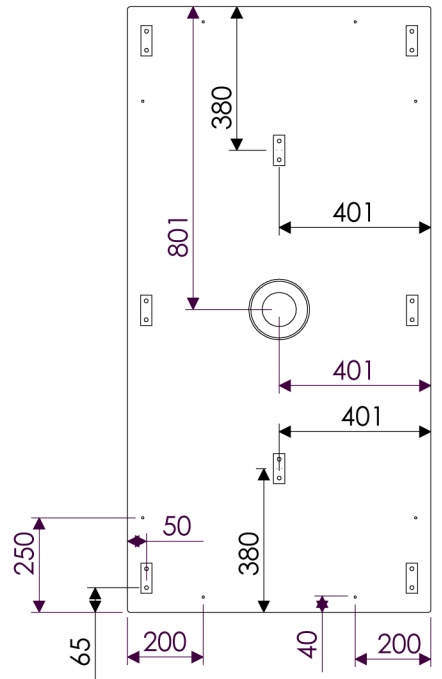
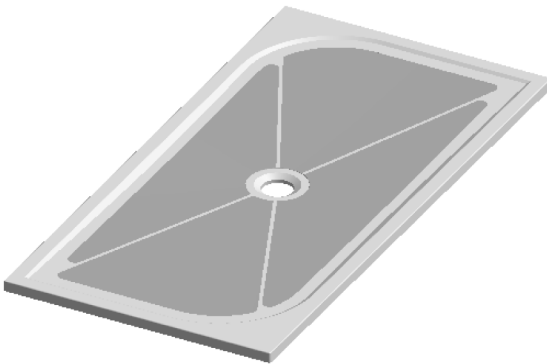
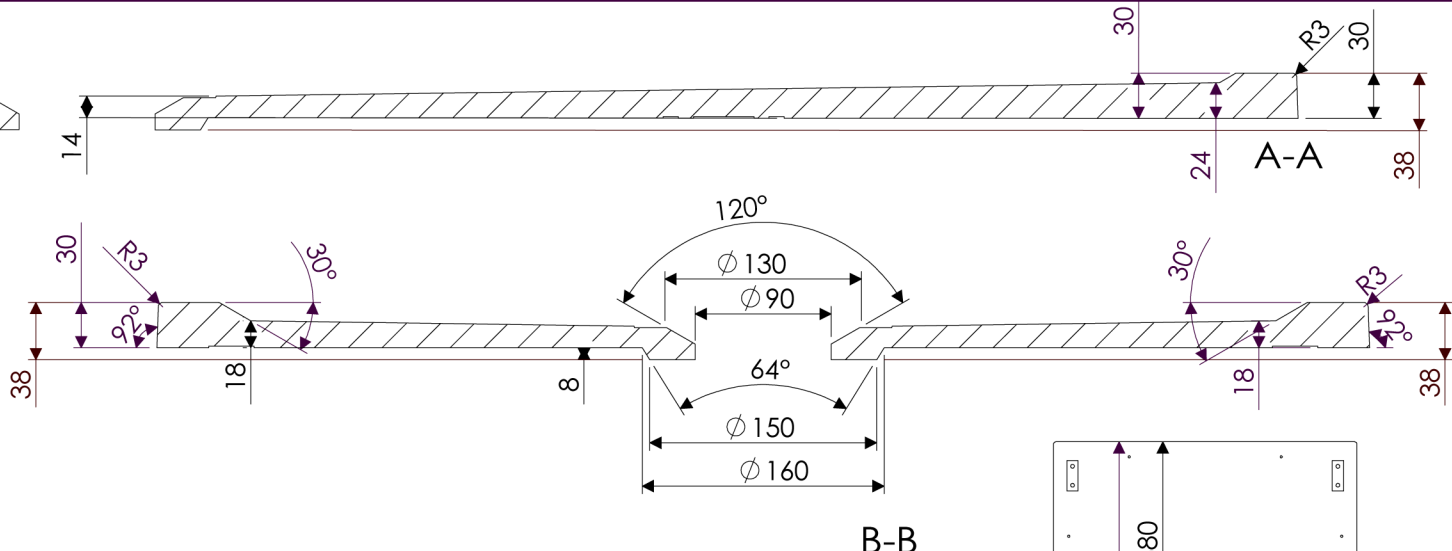
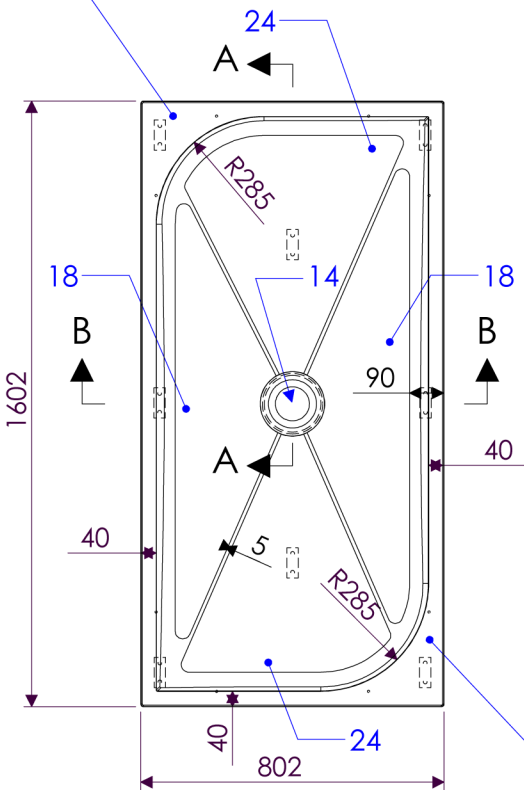


Cone surface-slope 1,5°



Cone surface-slope 1,5°

Tolerance length	+3/-0 mm
Tolerance length granite	+1,5/-1,5 mm
Tolerance plane bending	+3/-3 mm



Eastbrook Road, Gloucester GL4 3DB  
 Technical Helpline: 01452 317890  
 email: technical@eastbrookco.com