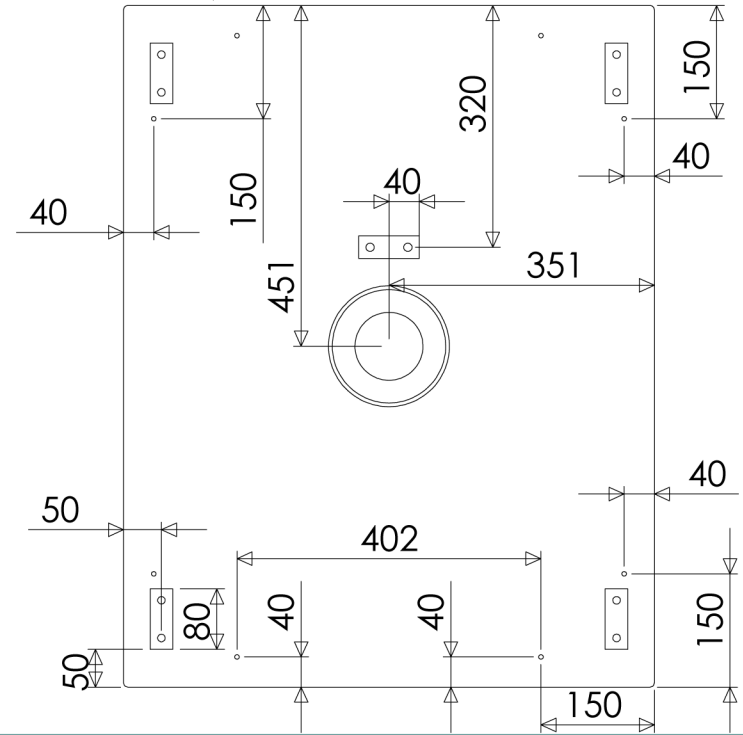
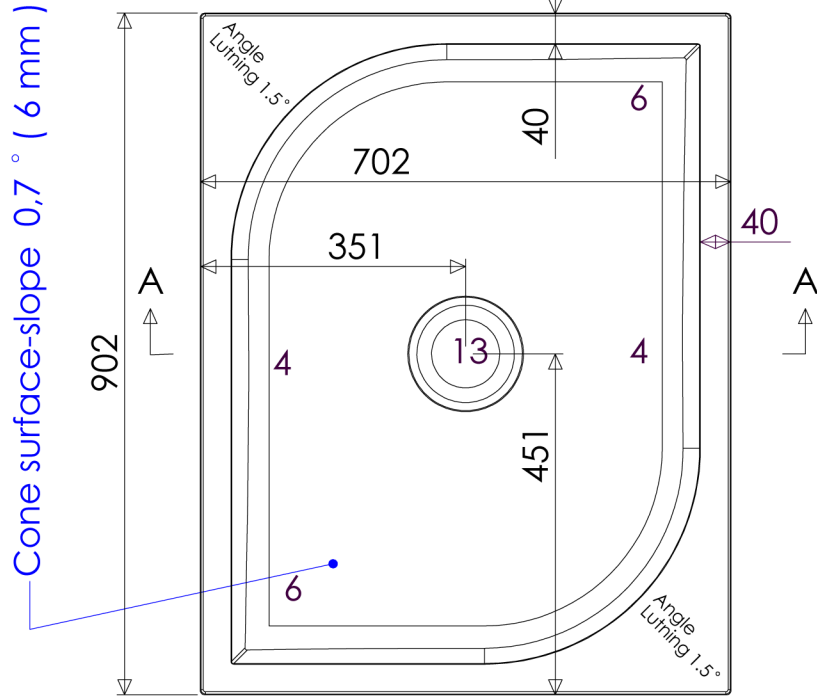
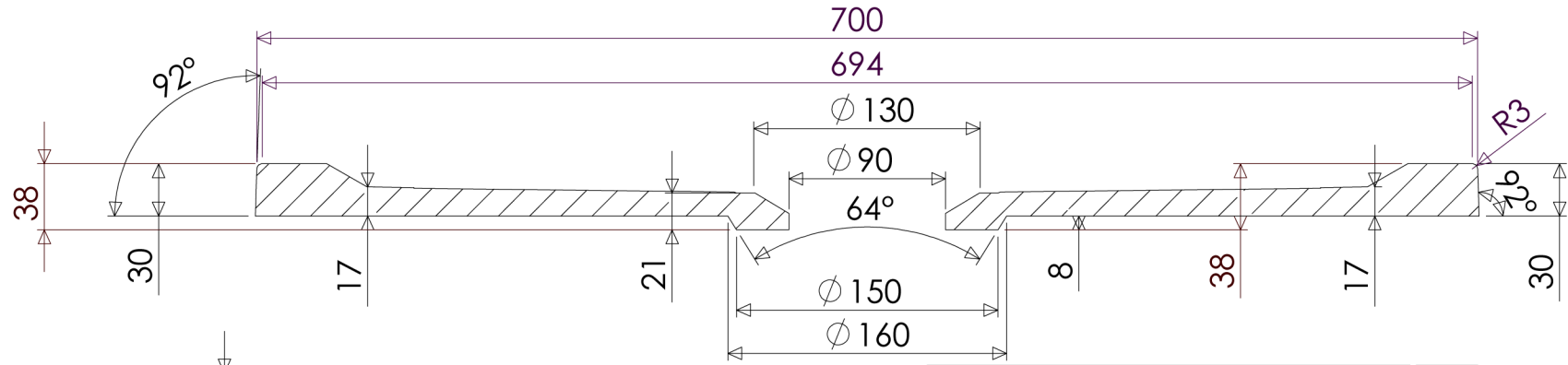


SECTION A-A



Cone surface-slope 0,7° (6 mm)

Tolerance length	+3/-0 mm
Tolerance length granite	+1,5/-1,5 mm
Tolerance plane bending	+3/-3 mm



Eastbrook Road, Gloucester GL4 3DB
 Technical Helpline: 01452 317890
 email: technical@eastbrookco.com

700 x 900

ErsOffen

Ritning

1:8