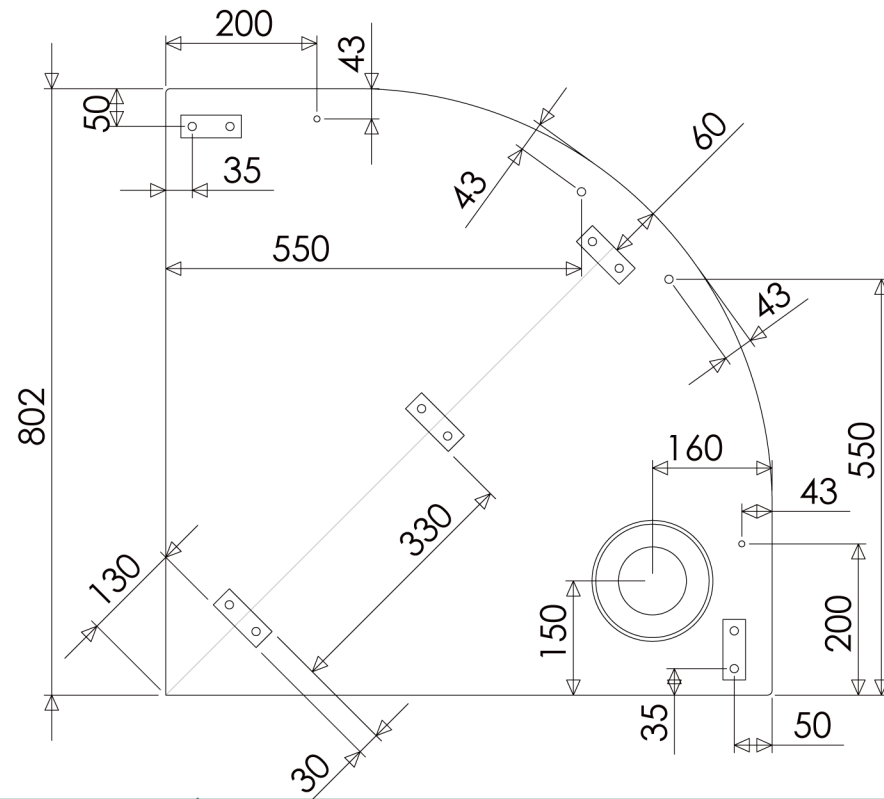
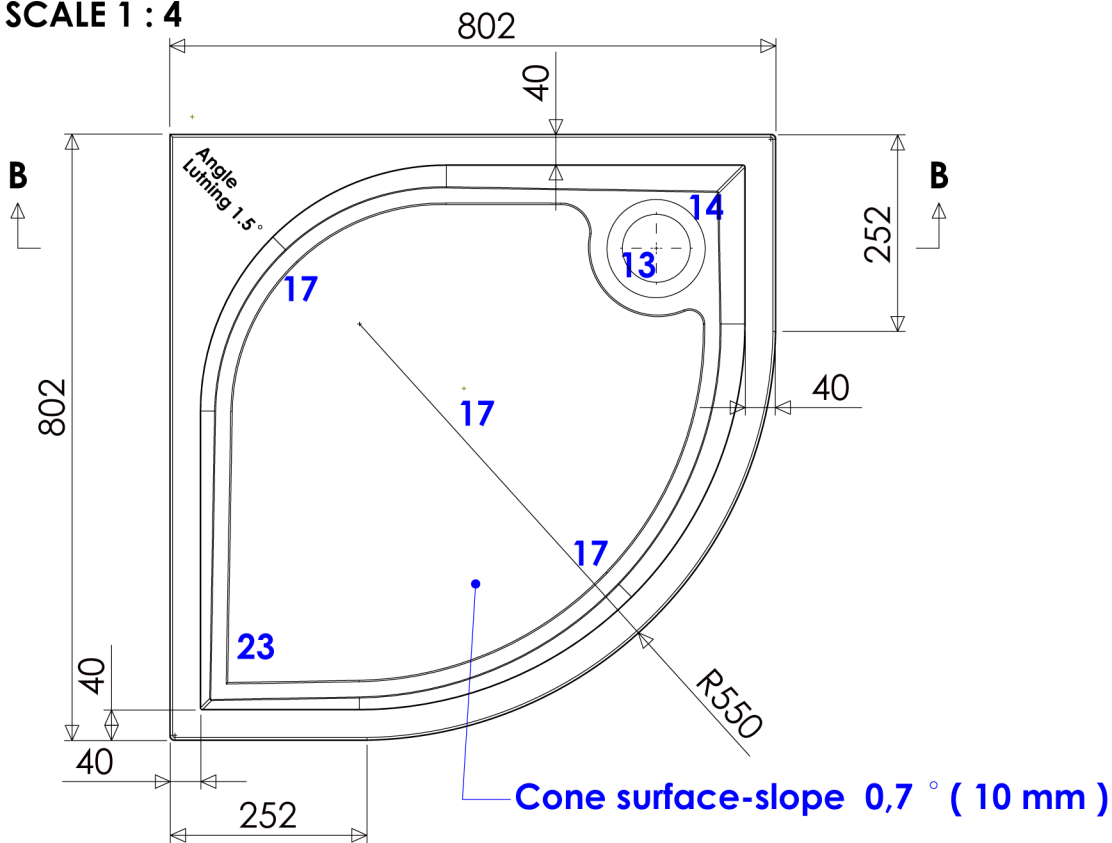


B-B
SCALE 1 : 4



Tolerance length	+3/-0 mm
Tolerance length granite	+1,5/-1,5 mm
Tolerance plane bending	+3/-3 mm



Eastbrook Road, Gloucester GL4 3DB
 Technical Helpline: 01452 317890
 email: technical@eastbrookco.com

ErsÖHer
 Ritling

1:13