

DATASHEET

Image



General Information

Product:	54.0016
Description:	Angle Designer TRV with Lockshield 15mm
Website Link:	(Click Here)
Product Type:	Radiator Valve
Brand:	Eastbrook Company
Colour:	Matt White
Material:	Brass + Plastic
Net Weight (kg):	0.47kg
Product Range:	Radiator Valves

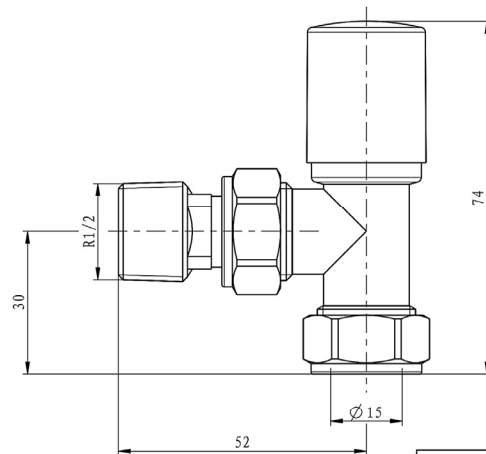
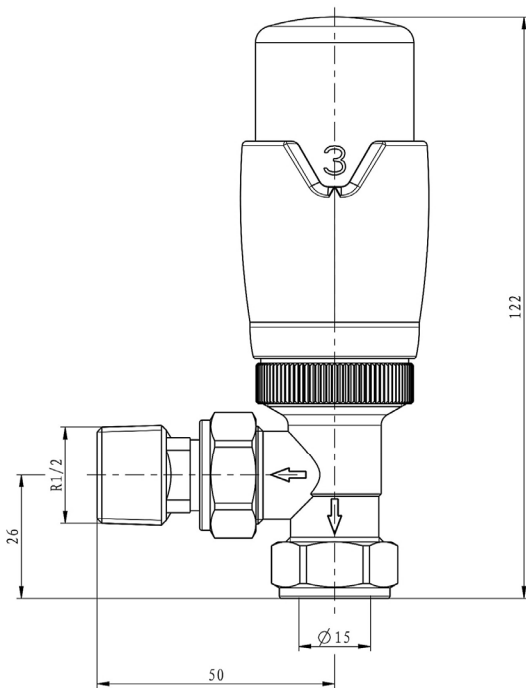
Product Specifications

Warranty:	2 Year(s)
Valve Types:	Angled

Drawing

Angle Designer TRV with Lockshield 15mm Technical Drawing

54.0002 - 54.0006
54.0016 - 54.0017
54.0018



Eastbrook 
Eastbrook Road, Gloucester GL4 3DB
Technical Helpline : 01452 317890
Mon - Fri / 8am - 5pm
Email : technical@eastbrookco.com