

DATASHEET

Image



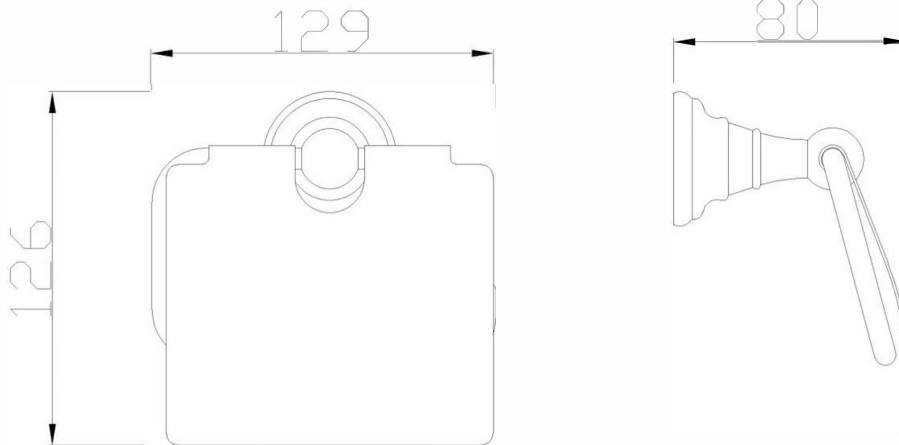
General Information

Product:	52.051
Description:	Rockingham Covered Toilet Roll Holder
Website Link:	(Click Here)
Product Type:	Toilet Roll Holder
Brand:	Eastbrook Company
Colour:	Chrome
Material:	Solid Brass
Height (mm):	126mm
Width (mm):	129mm
Net Weight (kg):	0.432kg
Product Range:	Rockingham

Product Specifications

Warranty:	5 Year(s)
Finish:	Polished
Supplied with fixings:	Yes
Mounting:	Wall

Drawing



Eastbrook Road, Gloucester GL4 3DB
Technical Helpline: 01452 317890
email: technical@eastbrookco.com