

Hydropanel Instructions

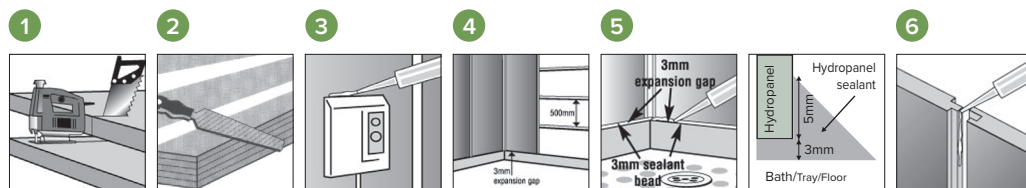
Instructions

Tongue & Groove or square cut wall panels

General notes on fixing panels

Panels can be fixed directly to battens or walls using Hydropanel panel adhesive. It is recommended that the panels are fixed to battens to provide air space behind. Fix treated timber battens approximately 45mm x 21mm horizontally with one at the head and one at the base of the panels. Additional horizontal battens should be a maximum distance of 500mm apart. They should be parallel to each other and plumb to give a solid ground for fixing the panels with Hydropanel adhesive. Additional battens should be used behind wash hand basins, towel rails and other heavy items to give a secure fixing.

Panel Preparation



1. Cutting Panels:

Cut panel with pattern facing upwards using a handsaw. If using an electric saw, cut panel with laminate face downwards.

2. Cut Edge Filing:

The panel edge should be filed at a slight angle away from the laminate edge.

3. Pipes and Accessories:

All pipes and accessories require a 3-4mm clearance, allowing them to be sealed with a bead of Hydropanel sealant. If fitting a collar, first seal with Hydropanel sealant.

4. Timber Battens:

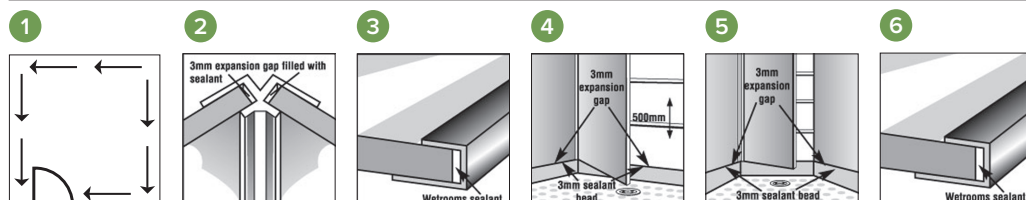
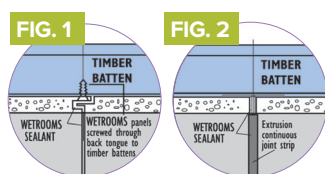
(45mm x 21mm) Use battens if walls are uneven, at a maximum distance of 500mm apart. Fix panels to battens using Hydropanel adhesive.

5. Panel Fitting:

Fit panels 3mm above bath, shower tray or floor, with edge downwards. Seal gap with Hydropanel sealant. It is imperative that all edges are sealed and the sealant is taken 5mm up the face of the panel at a 45° angle.

6. Panel & Decor Strip Sealing:

In wet areas such as a bathroom, use Hydropanel sealant inside each profile prior to inserting panel.



Hydropanel

Tongue & Groove Recommended for continuous panel runs

The vertical edges are tongue and grooved to give the finished panelling a smooth, easily maintained surface. Panels have asymmetrical tongue and grooved vertical edges giving 5mm of joint overlap. A waterproof joint is assured when sealed with Hydropanel sealant.

Installation

1. Where to start:

Panel in both directions around the room, starting at the corner furthest from the door. Fit the last panel above the doorway, placed in position tongue first and swung into position. All panels must be correctly aligned and plumb. Use Hydropanel panel adhesive to fix panels to battens. Seal all panel joints using Hydropanel sealant.

2. Begin Panelling:

Fix a Hydropanel internal profile in position first ensuring that it is plumb. Apply Hydropanel sealant to the recess of the profile. Apply Hydropanel adhesive to the battens. After removing the smaller tongue, or cutting to size insert the first panel. Continue to panel away from the corner in both directions, fixing panels to battens with Hydropanel adhesive, and sealing joints with Hydropanel sealant.

3. Continue Panelling:

Continue panelling around the room fixing each panel to the battens with Hydropanel adhesive, or screws through the back lip of grooved edge. Seal tongue and groove joints using Hydropanel sealant. Where appropriate use internal and external corner profiles, sealing with Hydropanel sealant.

Square cut with aluminium joint extrusions which allow for on site cutting, the edges being covered by aluminium trim extrusions. This will facilitate for faster installation.

4. Fit the shower tray hard against or cut into the wall. First cut the panels and profiles to size. Fix a Hydropanel internal profile in position ensure that it is plumb. Apply Hydropanel sealant into profile and insert panels. Fix panels to battens using Hydropanel panel adhesive.

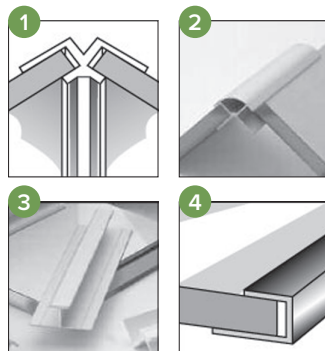
5. First panel is fitted as for the two panel shower enclosure. Put a second internal corner profile onto the edge of second panel, and apply Hydropanel adhesive to the battens. Insert other edge into profile already attached to the wall, and swing into place forming back of enclosure. Fix profile to wall, insert third panel and glue to wall. Ensure a generous bead of Hydropanel sealant is applied into all the profiles.

6. Finish outer panel edges with U-Trim, applying a bead of Hydropanel sealant into the U-Trim. Seal all gaps around the tray with Hydropanel sealant prior to installing the shower door or side panel.

Use the H continuous run decorative aluminium joining and stacking profile to join panels and install in a similar manner to tongue and groove panelling, applying a generous bead of Hydropanel sealant into the profile.

Aluminium Profiles

Available in silver, white and antique gold†



1. Internal corner profile:

2400mm. Used on all internal 90° corners sealing with Hydropanel sealant.

2. External corner profile:

(2500 mm) Used on 90° external corners, sealing with Hydropanel sealant.

3. Joining and stacking profile:

(2500 mm) Used to mount panels side by side, or above each other, sealing with Hydropanel sealant.

4. U-TRIM:

(2500 mm) Finishing touches and cap for square cut edge of panel, sealing with Hydropanel sealant.

Hydropanel Adhesives and Sealants

It is recommended that only Hydropanel's own brand adhesives and sealants are used. Approximately 1 cartridge of Hydropanel adhesive and 1 cartridge of Hydropanel sealant is required for a 800 mm wide panel.

Cleaning and maintenance

The hardwearing surface of the panelling and aluminium profiles can be hygienically cleaned with Hydropanel spray cleaner which is a mild non-abrasive cleaner with anti-bacterial cleanser.

Abrasive cleaners or bleach must not be used.

A large variety of possible applications:

DOMESTIC: Walls of showers, kitchens, wet areas, utility rooms, conservatories, extensions etc.

COMMERCIAL: Hotels (bathrooms, kitchens, wet areas, reception areas, etc). Cafeterias (food preparation areas, kitchens, toilet facilities, etc) offices, shops, hospitals, schools, laboratories, etc.