

## DATASHEET

### Image



### General Information

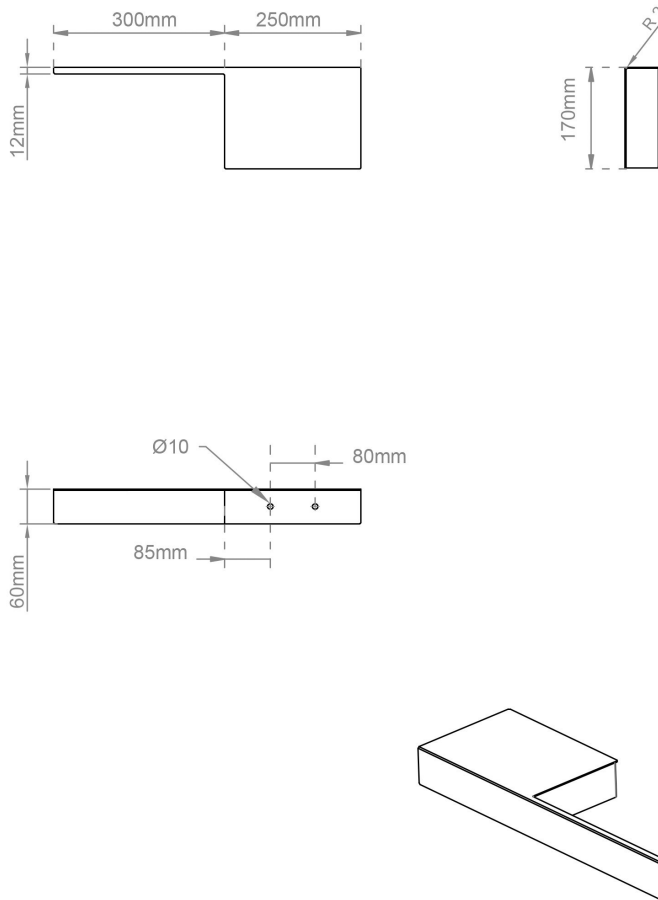
|                  |  |
|------------------|--|
| Product:         | 89.0885R                               |
| Description:     | Multi-Purpose Towel Hanger RH<br>300mm |
| Website Link:    | <a href="#">(Click Here)</a>           |
| Product Type:    | Towel Hanger                           |
| Brand:           | Eastbrook Company                      |
| Colour:          | Matt Grey                              |
| Material:        | Mild Steel                             |
| Width (mm):      | 300mm                                  |
| Net Weight (kg): | 2.097kg                                |
| Product Range:   | Universal                              |

### Product Specifications

|           |           |
|-----------|-----------|
| Warranty: | 1 Year(s) |
|-----------|-----------|

**Drawing**

**Multi-Purpose Towel Hanger L / R Hand Side - 300mm**  
 Technical Drawing

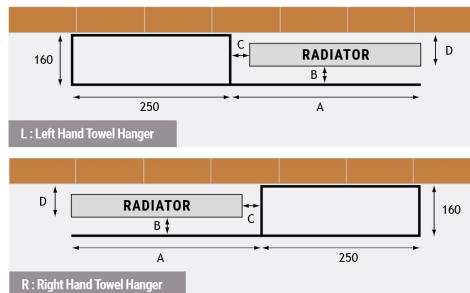


**TECHNICAL INFORMATION**

Please check the technical drawing to see all the required measurements. Multi-Purpose Towel Hangers can only be fitted on the wall.

Left Hand Towel Hangers : When fitted on the wall and looking from front, shelf is on the left and towel can be hung from the right.

Right Hand Towel Hangers : When fitted on the wall and looking from front, shelf is on the right and towel can be hung from the left.  
**Can be fitted after installation!**



**Eastbrook**   
 Eastbrook Road, Gloucester GL4 3DB  
 Technical Helpline : 01452 317890  
 Mon - Fri / 8am - 5pm  
 Email : technical@eastbrookco.com