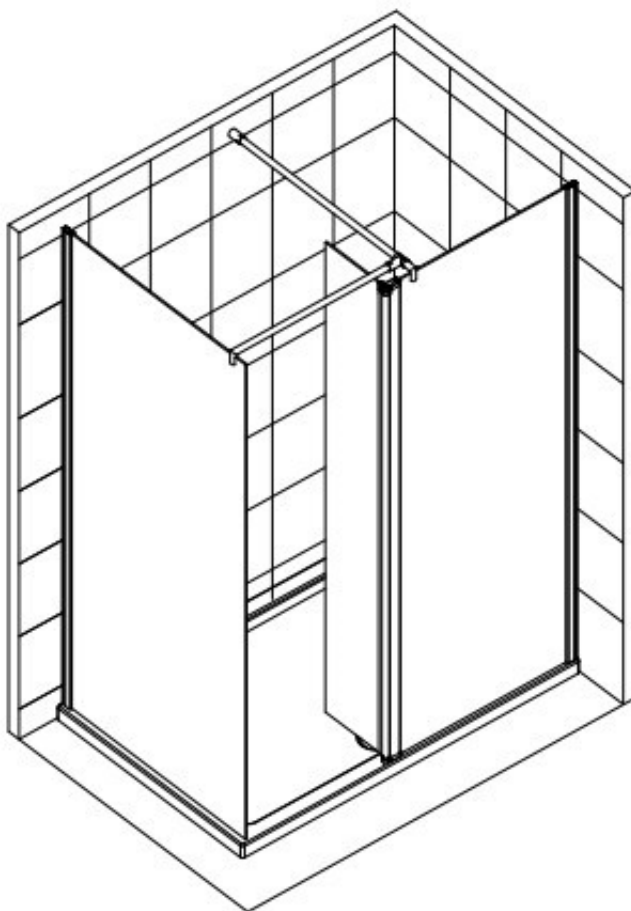


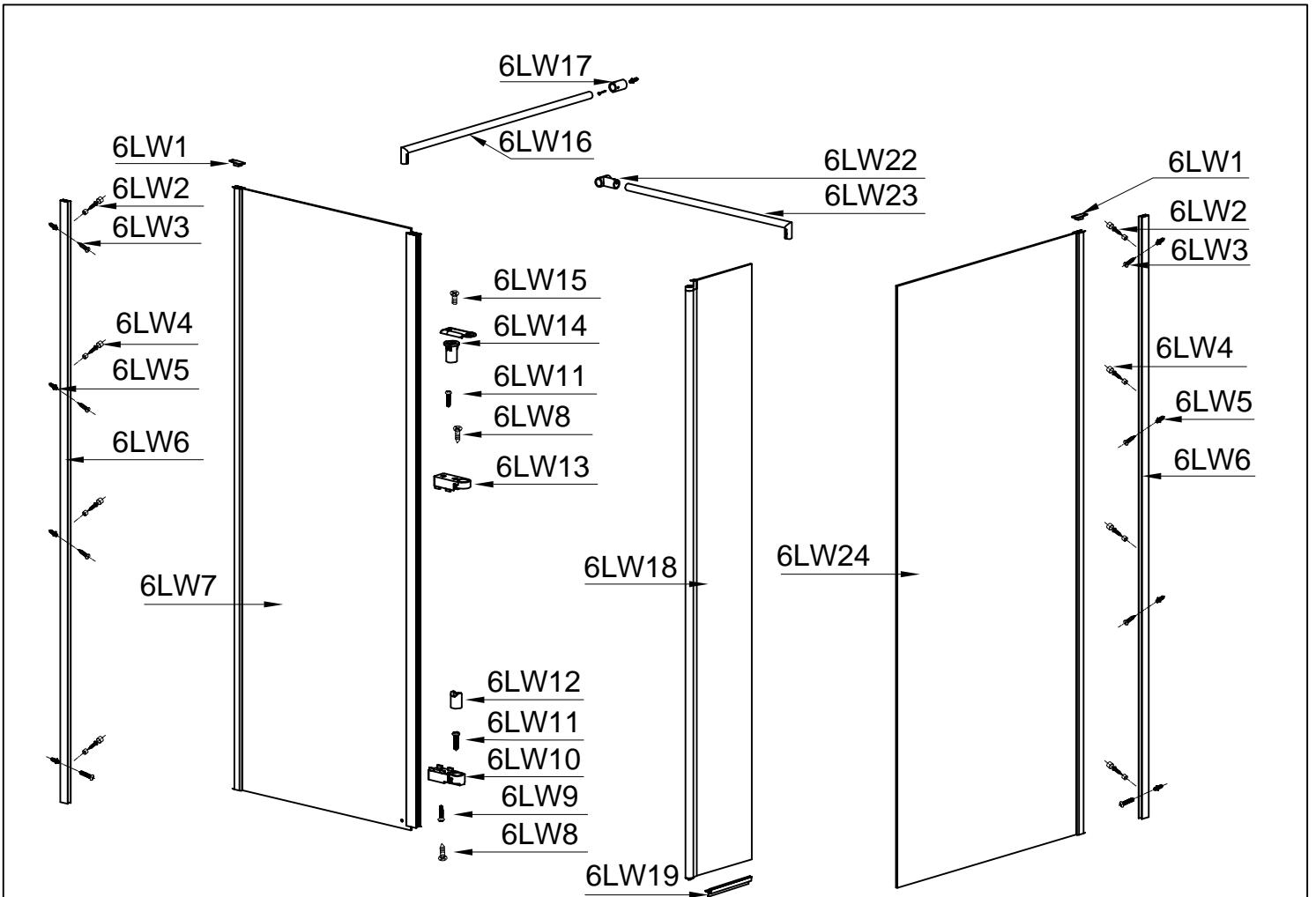
INSTALLATION MANUAL

Eastbrook

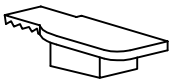
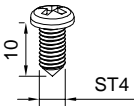
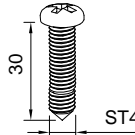
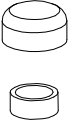
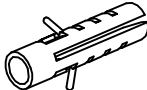
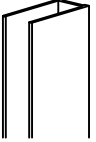
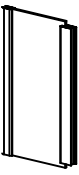
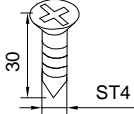
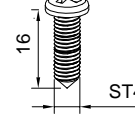
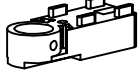
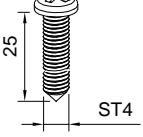
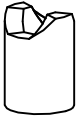
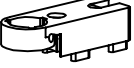

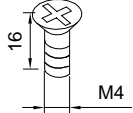

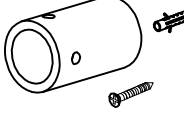

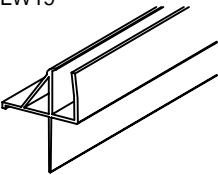
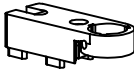
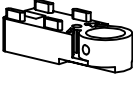
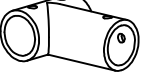
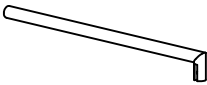

Eastbrook Road, Gloucester GL4 3DB
Technical Helpline: 01452 317890
email: technical@eastbrookco.com

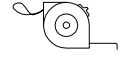
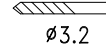
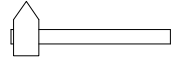
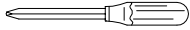
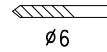
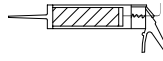
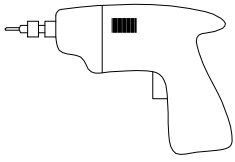
Eastbrook Code	Adjustment	Eastbrook Code	Adjustment
69.0129	590-600	69.0130	790-800
69.0131	890-900	69.0132	1090-1100
69.0136	750-760	69.0133	790-800
69.0134	890-900		



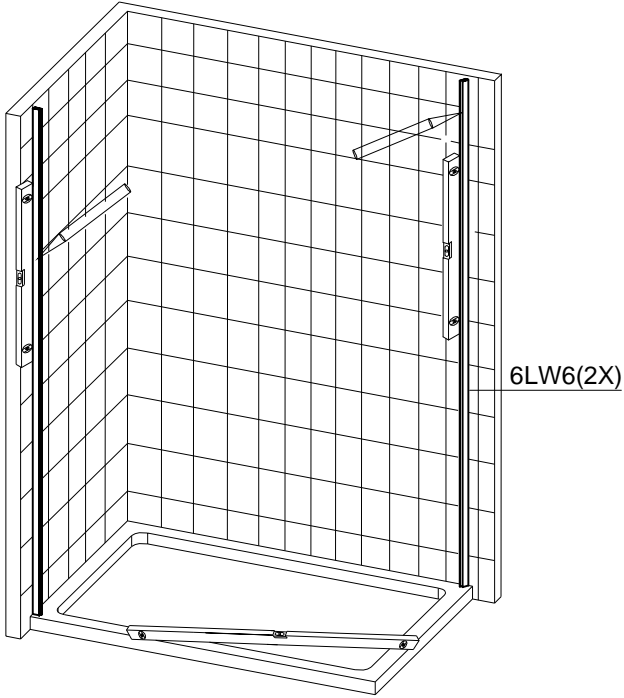


This product should only be fixed by a fully qualified installer

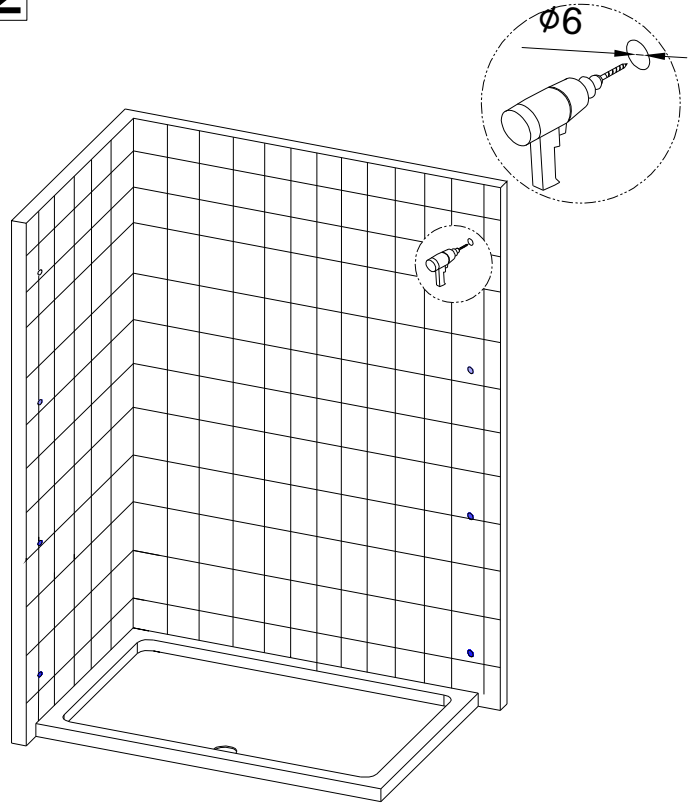
6LW1  2X	6LW2  8X	6LW3  8X	6LW4  8X	6LW5  8X	6LW6  2X
6LW7  1X	6LW8  2X	6LW9  1X	6LW10  1X	6LW11  2X	6LW12  1X
6LW13  1X	6LW14  1X	6LW15  1X	6LW16  1X	6LW17  1X	6LW18  1X
6LW19  2X	6LW20  1X	6LW21  1X	6LW22  1X	6LW23  1X	6LW24  1X



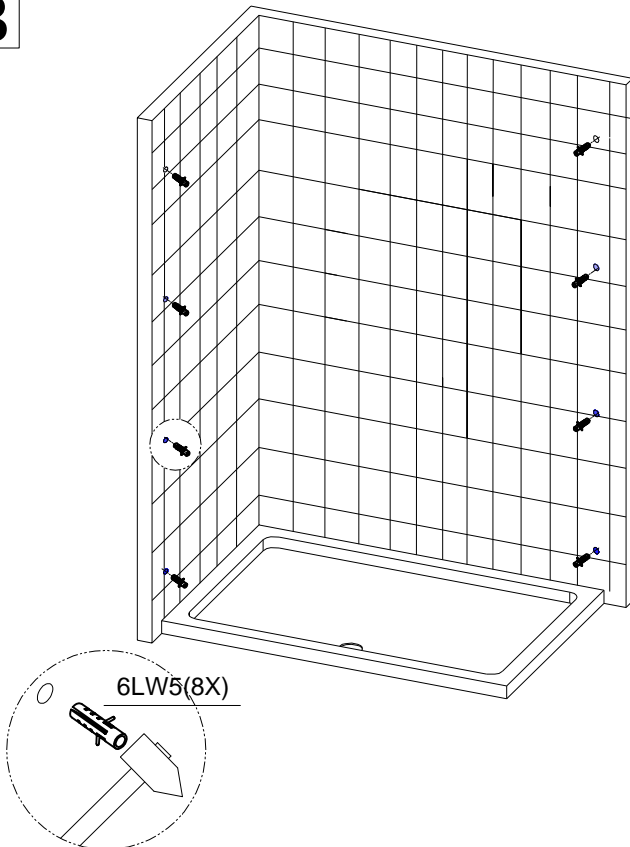
1



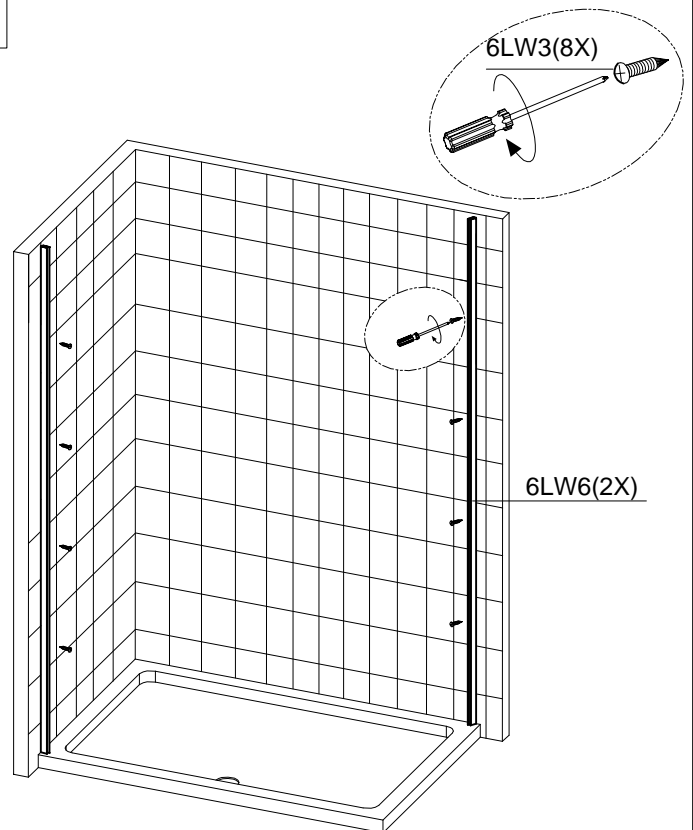
2



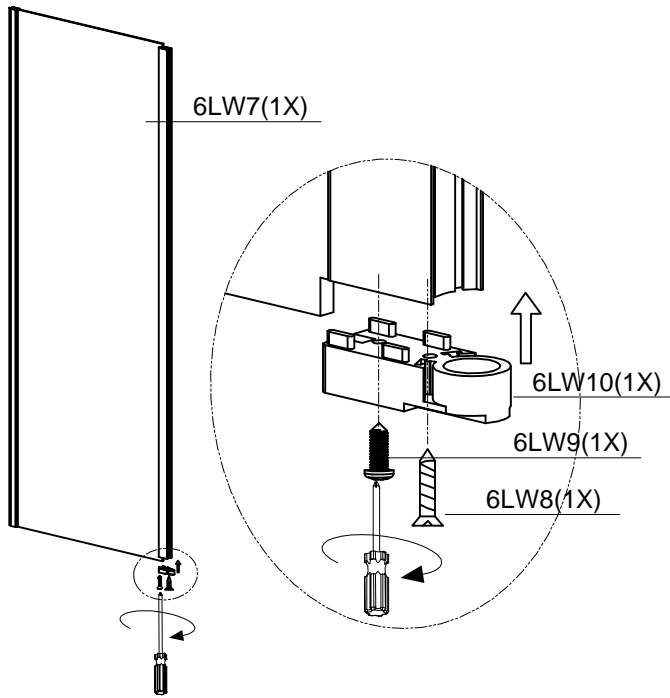
3



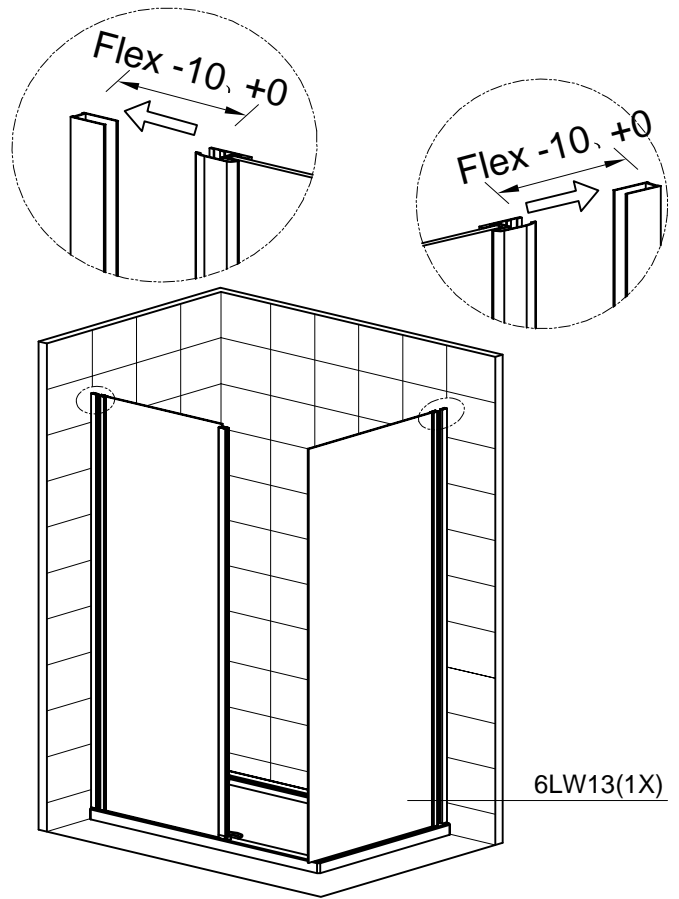
4



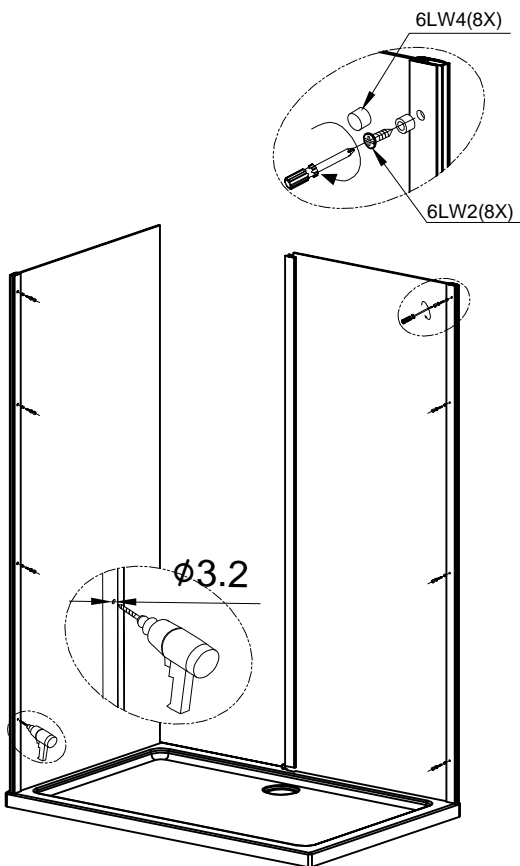
5



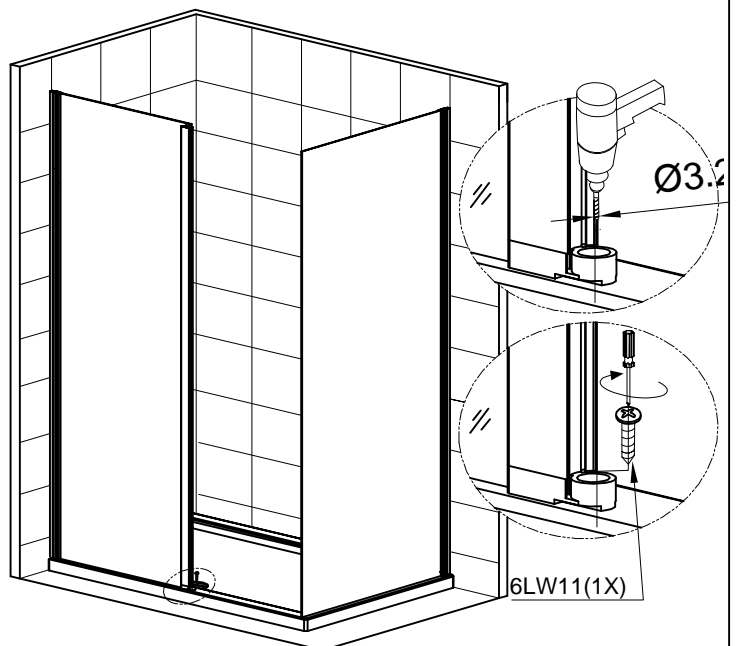
6



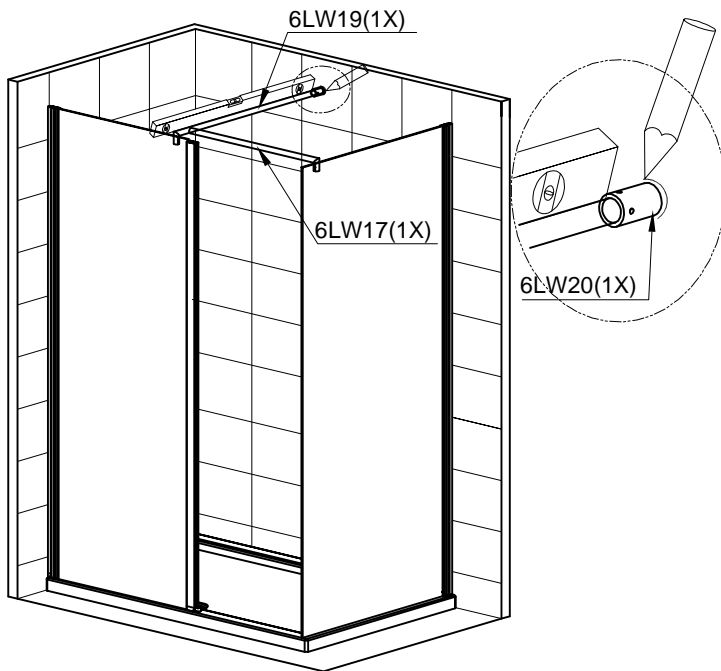
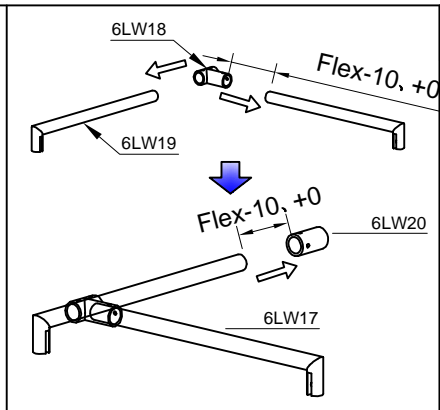
7



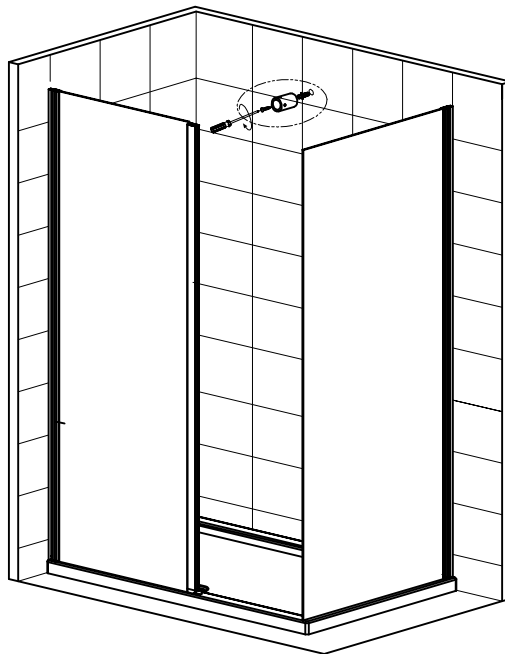
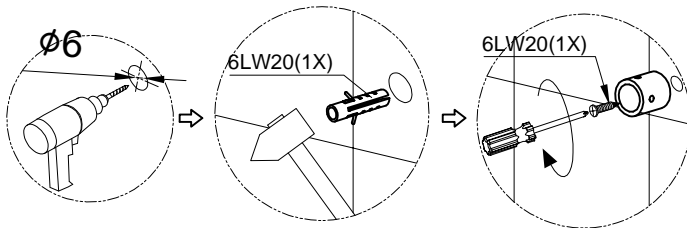
8



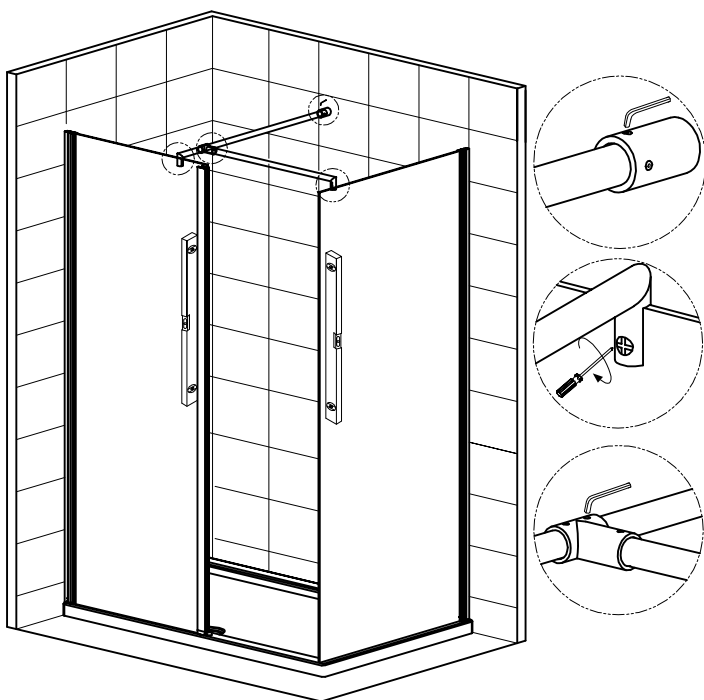
9



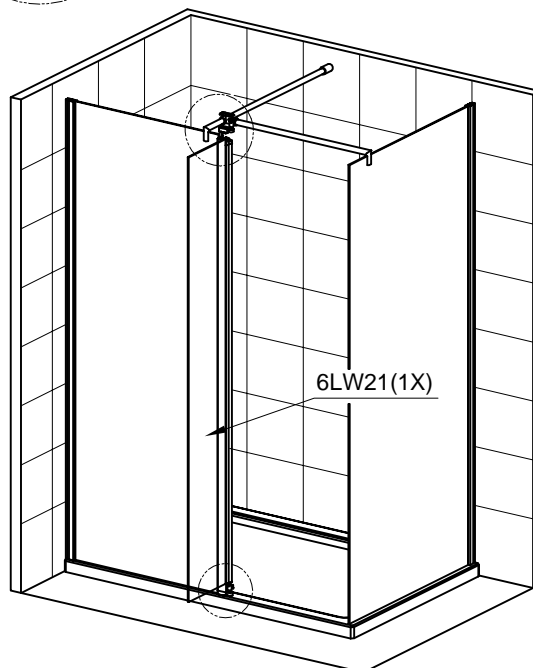
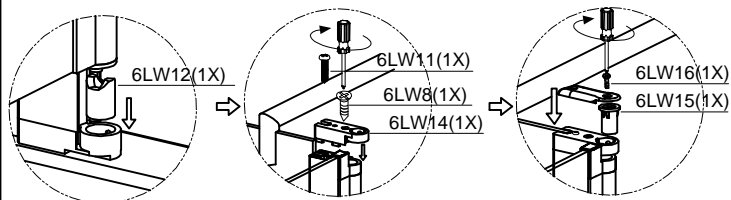
10



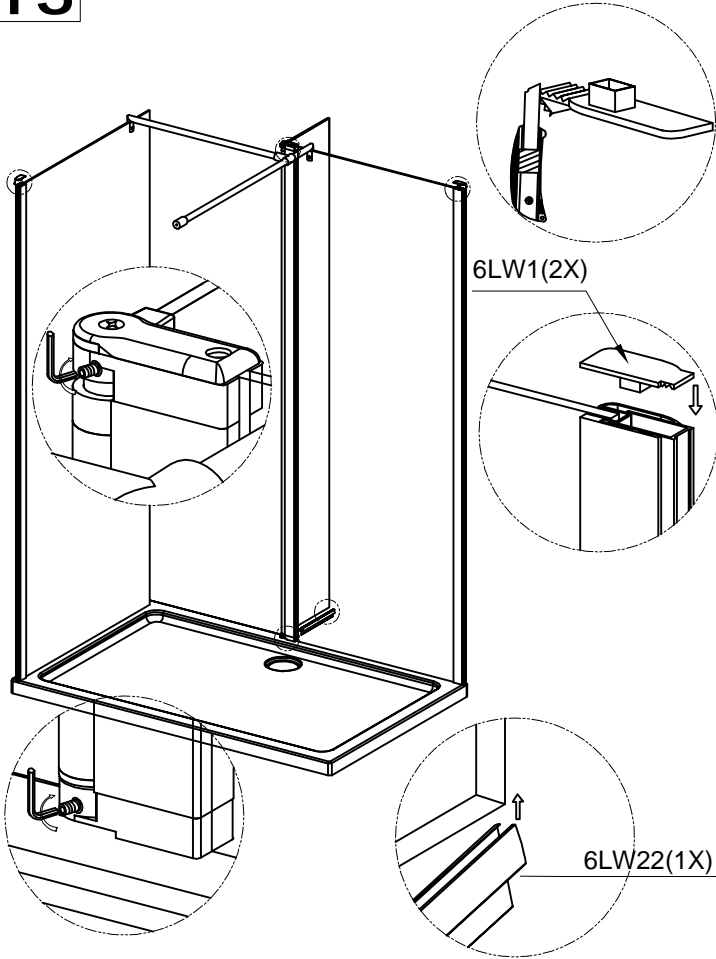
11



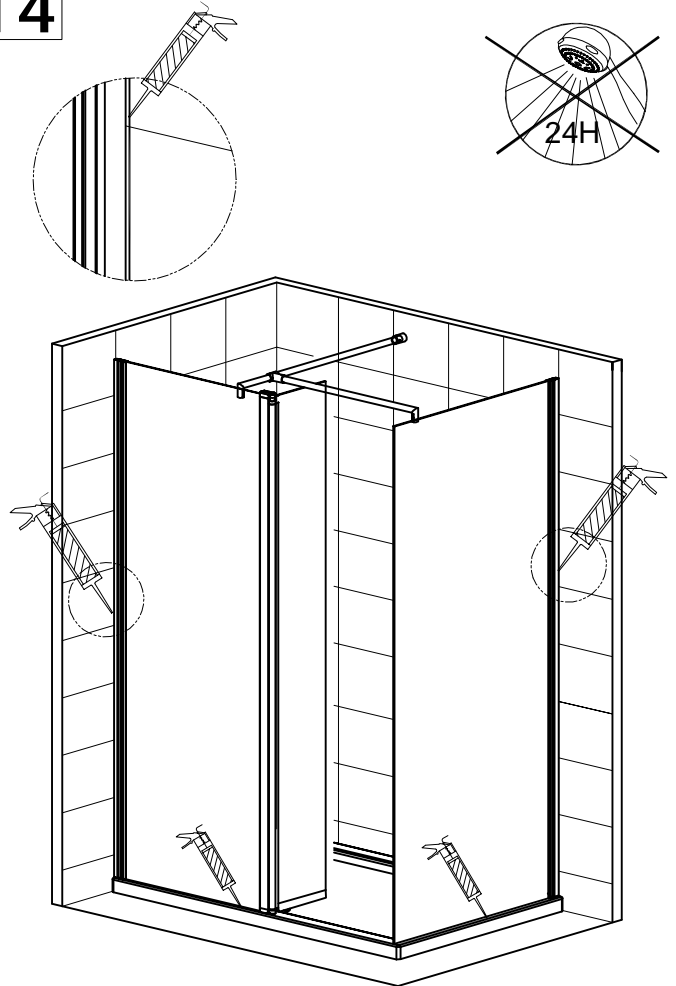
12



13



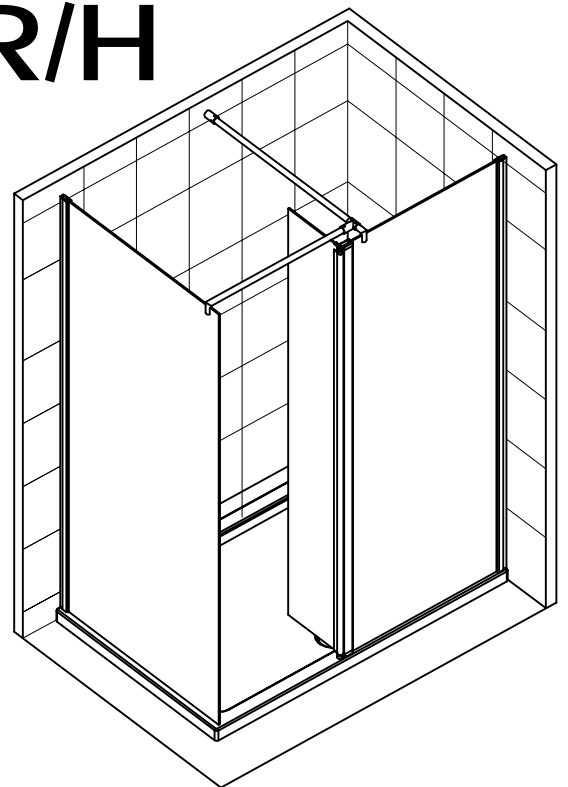
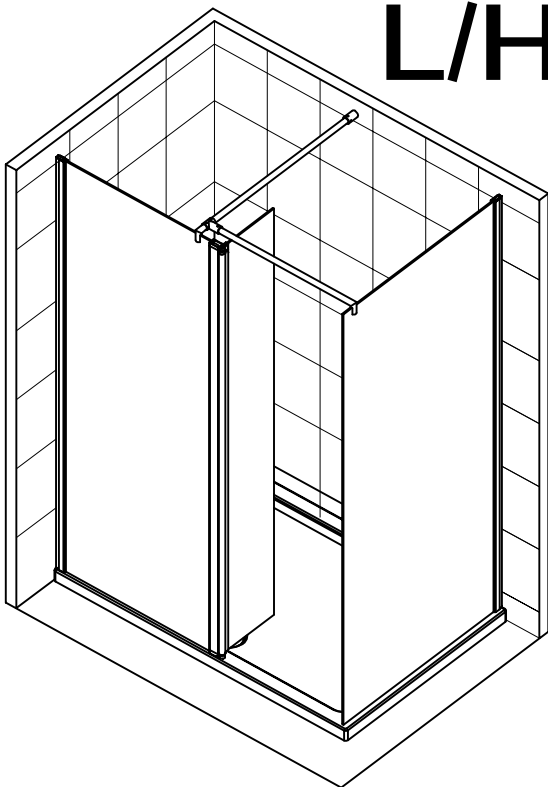
14



15

L/H

R/H



Silicone on the outside of the screen only

Cleaning & Maintenance

Don't clean the shower enclosure with irritant detergent such as alcohol,bleach or other chemical cleaners.

Only clean with warm soapy water.

After the installation is completed,should you find that there is notable noise when the glass door moves,you may add a small quantity of lubricant onto the roller wheel,slipping hook and the track.

Helpline: 01452 317890