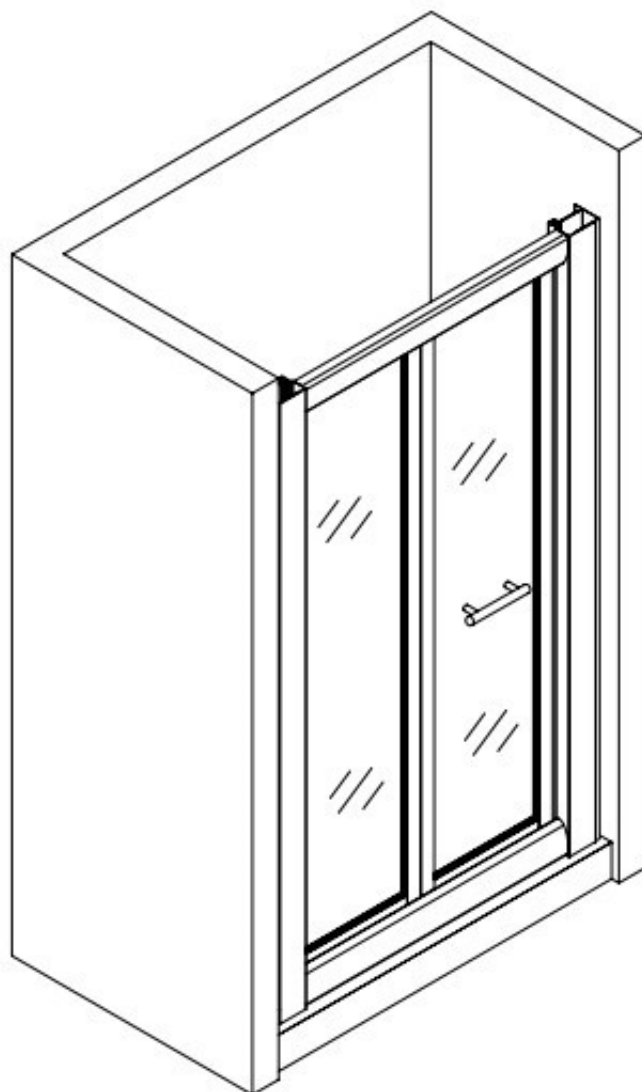
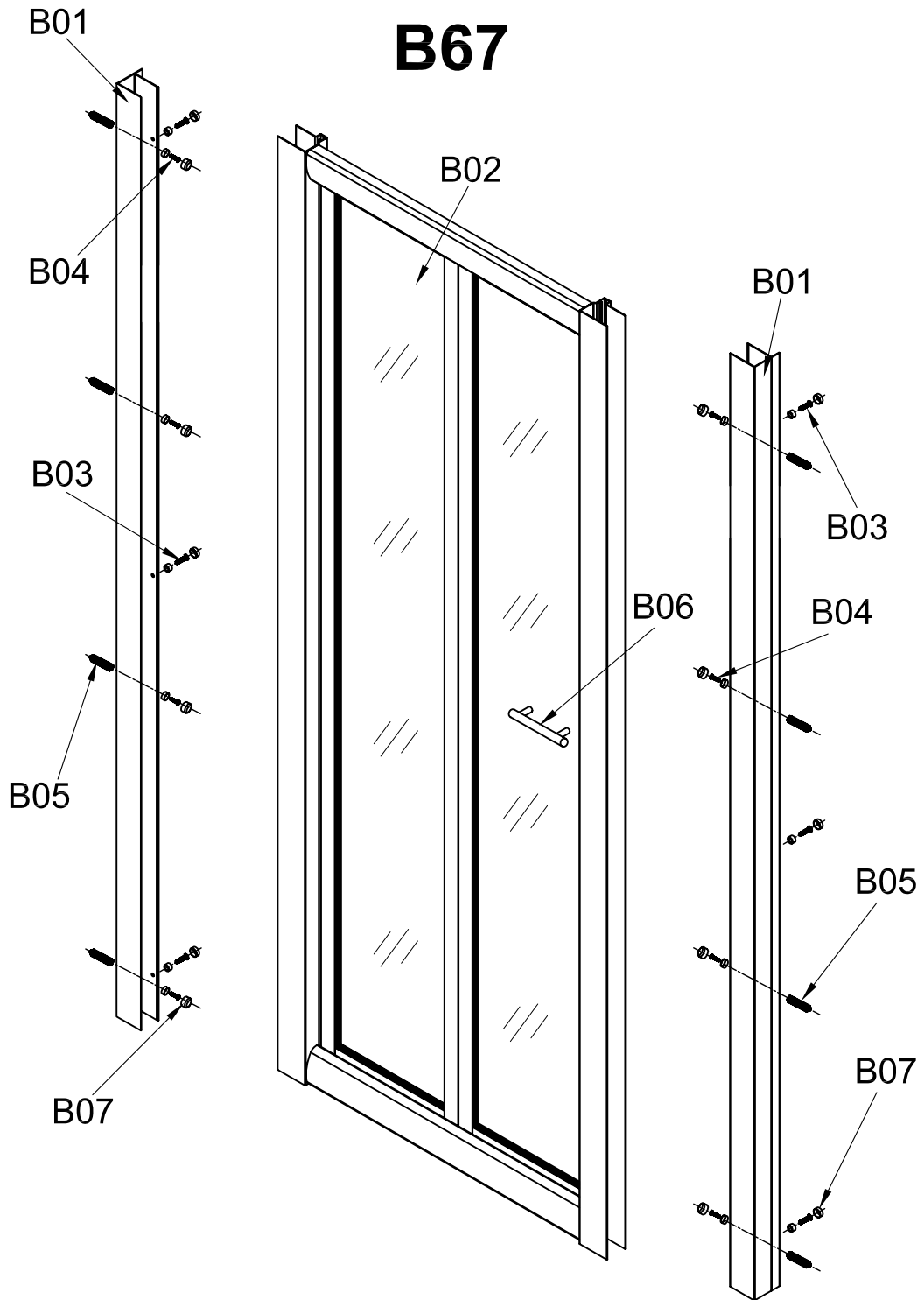


INSTALLATION MANUAL

Eastbrook Code	Adjustment	Eastbrook Code	Adjustment
69.0111	660-700	69.0112	720-760
69.0113	760-800	69.0114	860-900

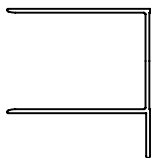


B67



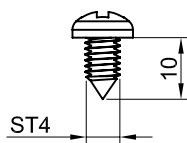
This product should only be fixed by a fully qualified installer

B01



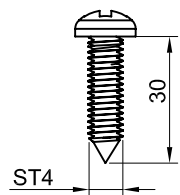
x2

B03



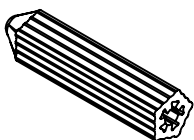
x6

B04



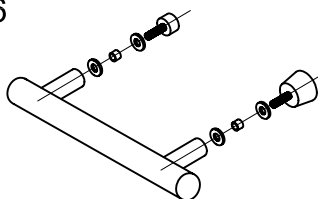
x8

B05



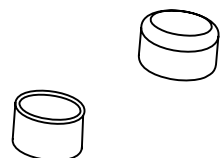
x8

B06

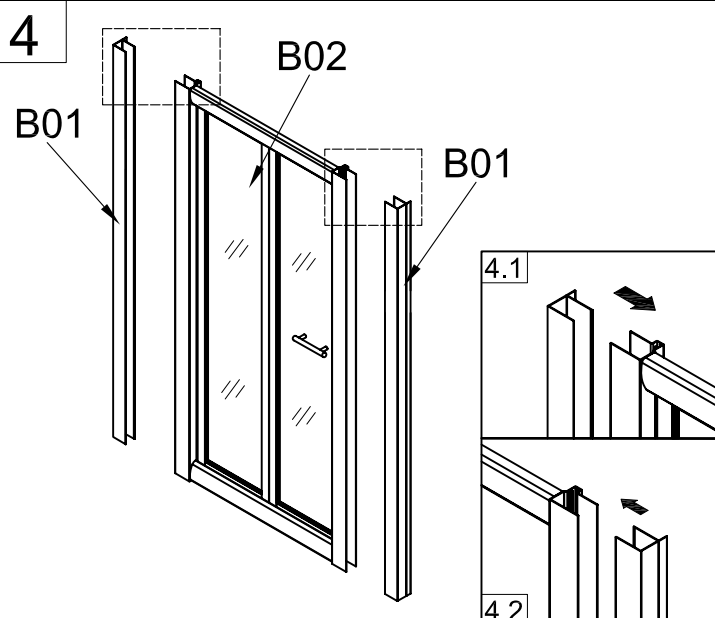
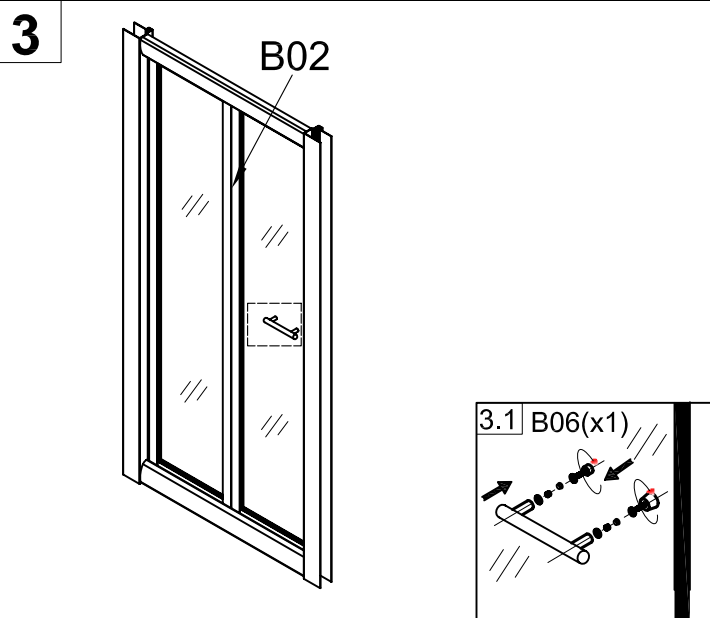
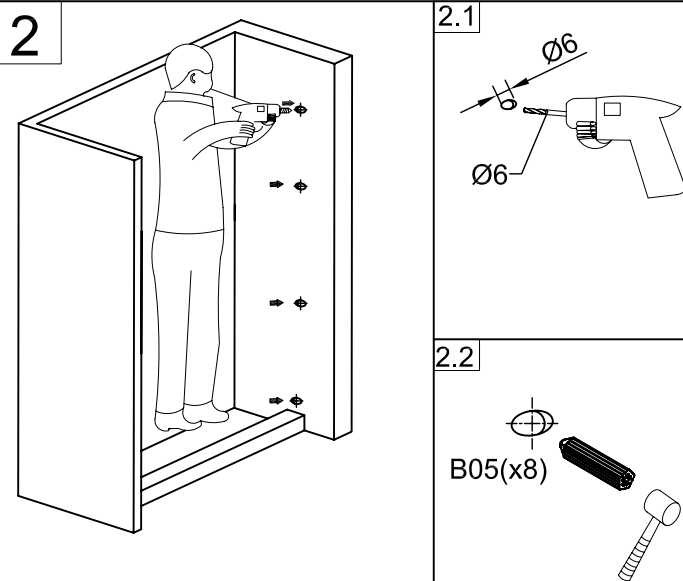
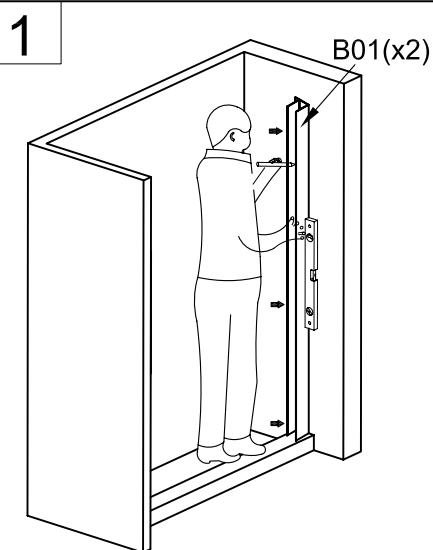
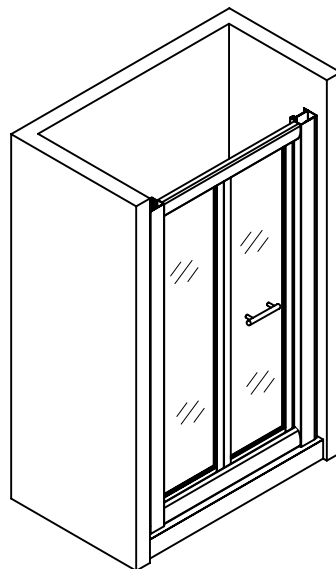
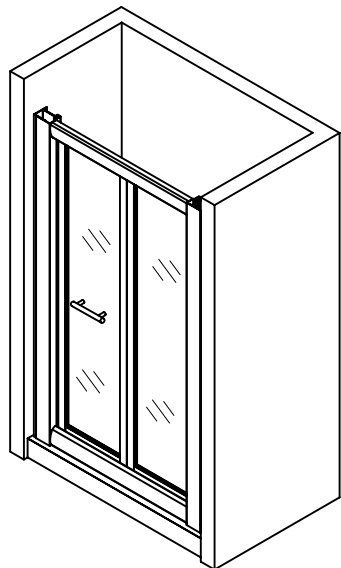
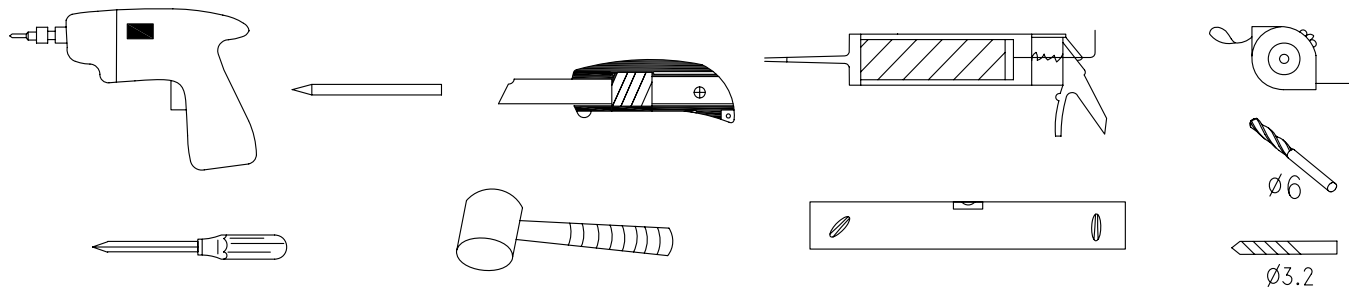


x1

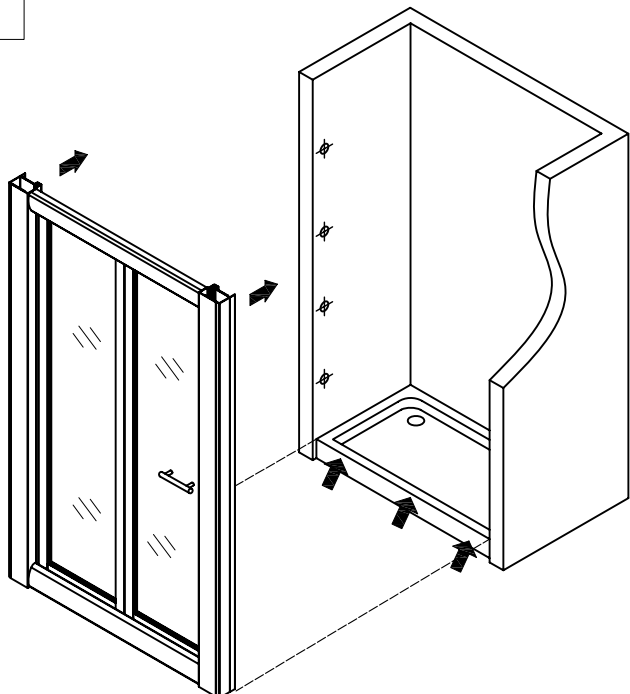
B07



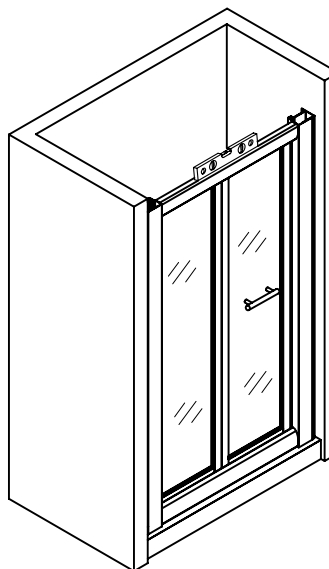
x14



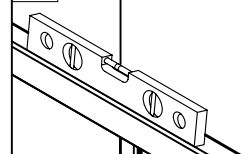
5



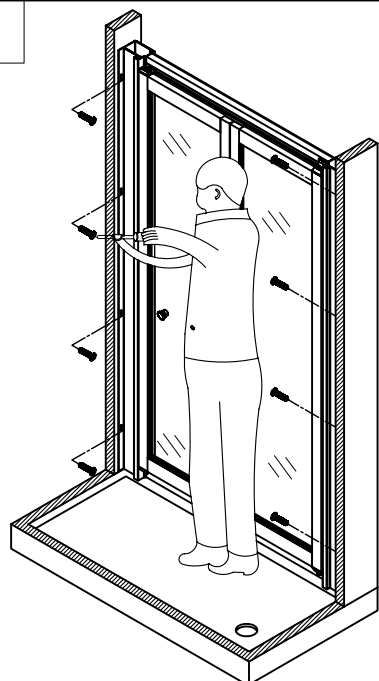
6



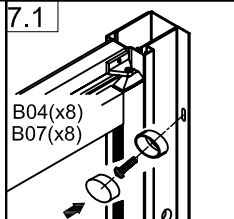
6.1



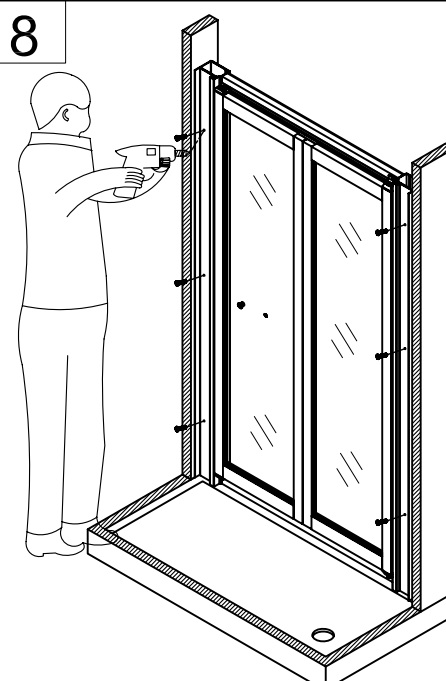
7



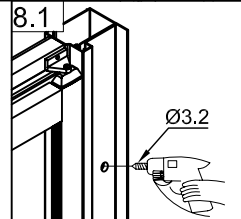
7.1



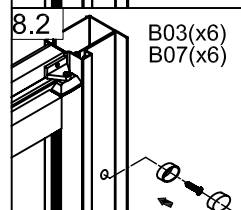
8



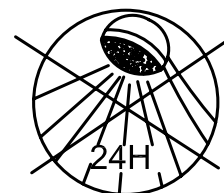
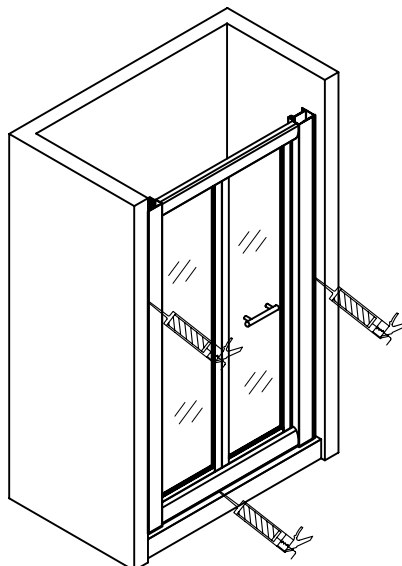
8.1



8.2



9



Silicone on the outside of the screen only

Cleaning & Maintenance

Don't clean the shower enclosure with irritant detergent such as alcohol,bleach or other chemical cleaners.

Only clean with warm soapy water.

After the installation is completed,should you find that there is notable noise when the glass door moves,you may add a small quantity of lubricant onto the roller wheel,slipping hook and the track.

Helpline: 01452 317890