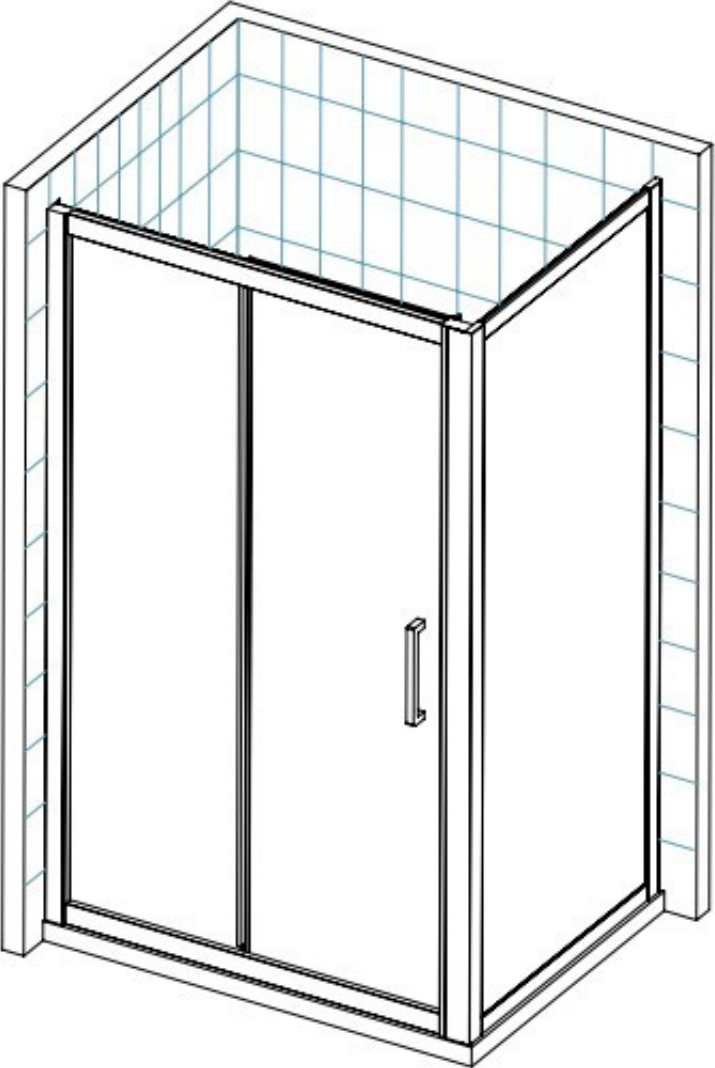
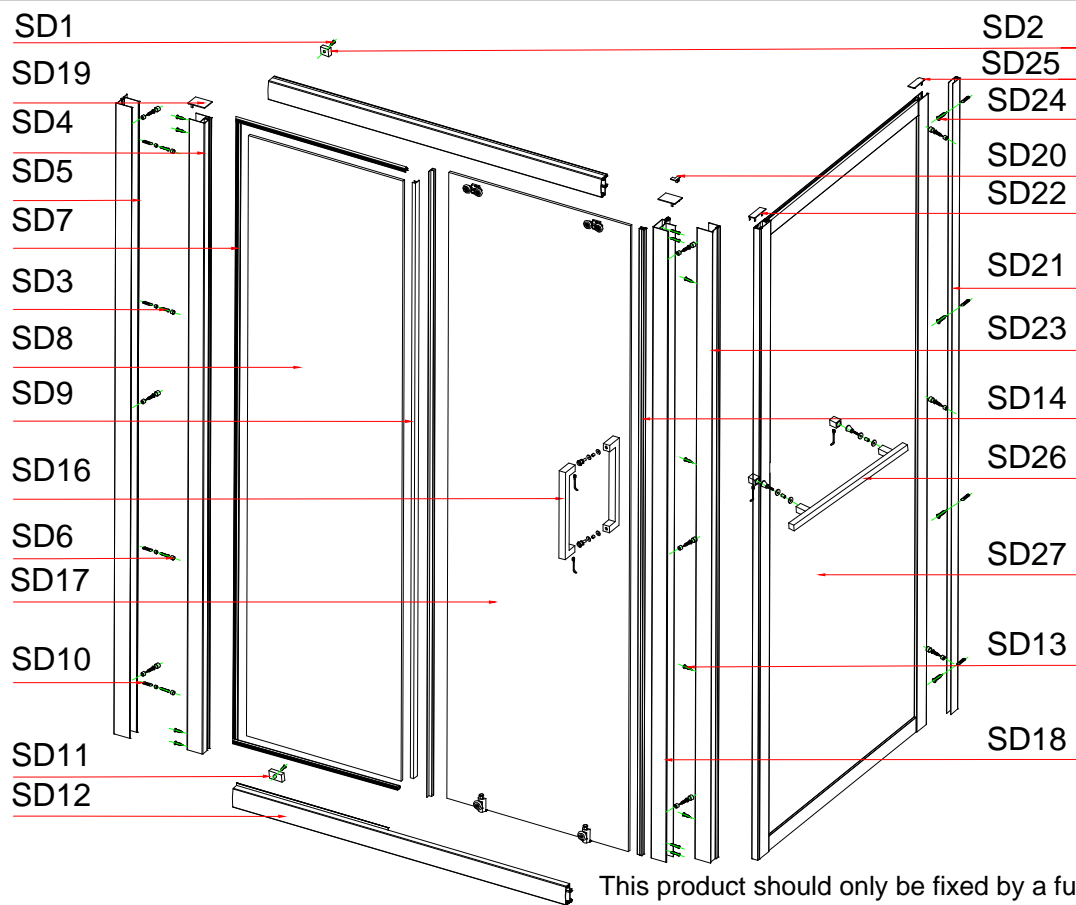


INSTALLATION MANUAL

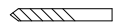
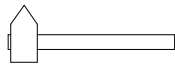
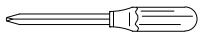
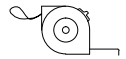
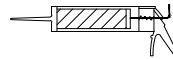
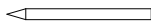
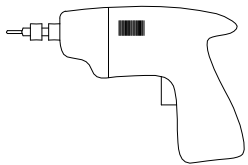
Eastbrook Code	Adjustment	Eastbrook Code	Adjustment
69.0075	960-1000	69.0077	1160-1200
69.0078	1360-1400		



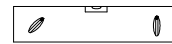


This product should only be fixed by a fully qualified installer

SD17 1X	SD8 1X	SD27 1X	SD2 1X	SD11 1X	SD6 13X
SD5 1X	SD4 1X	SD12 2X	SD7 1X	SD16 1X	SD10 8X
SD1 2X	SD3 12X	SD13 13X	SD24 4X	SD20 1X	SD19 2X
SD25 1X	SD22 1X	SD9 2X	SD26 1X	SD14 1X	

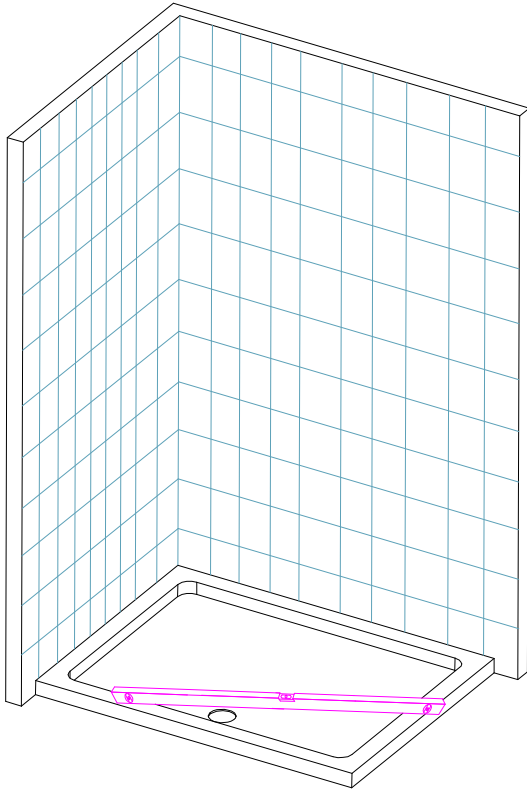


ø6

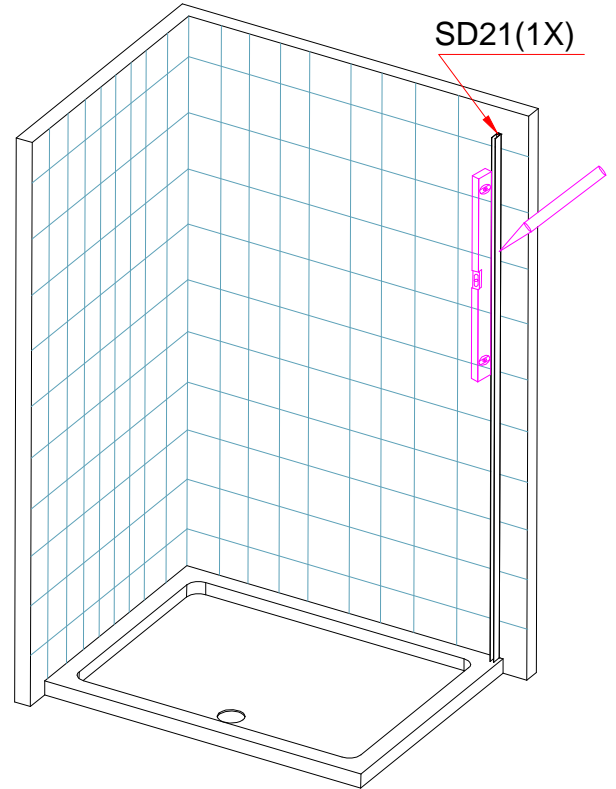


ø3.2

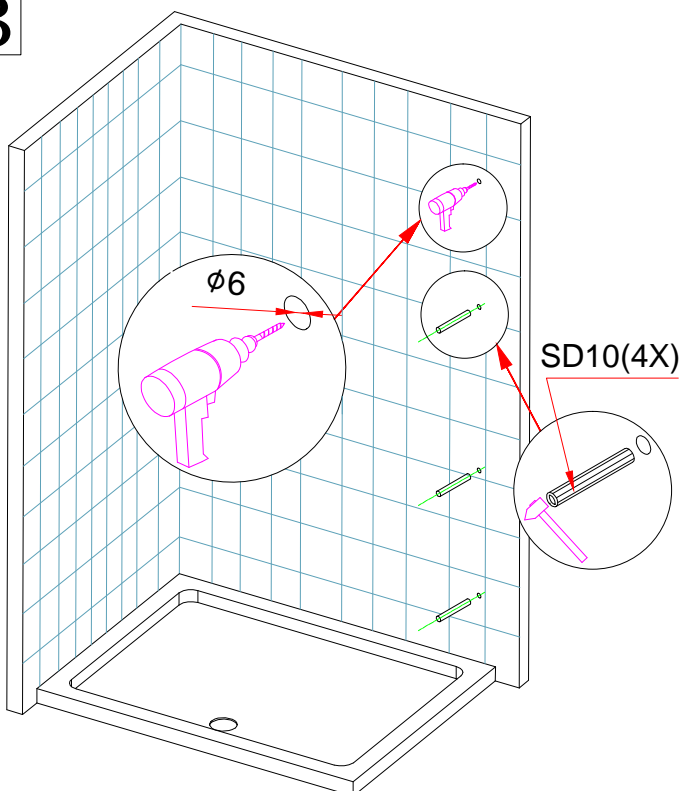
1



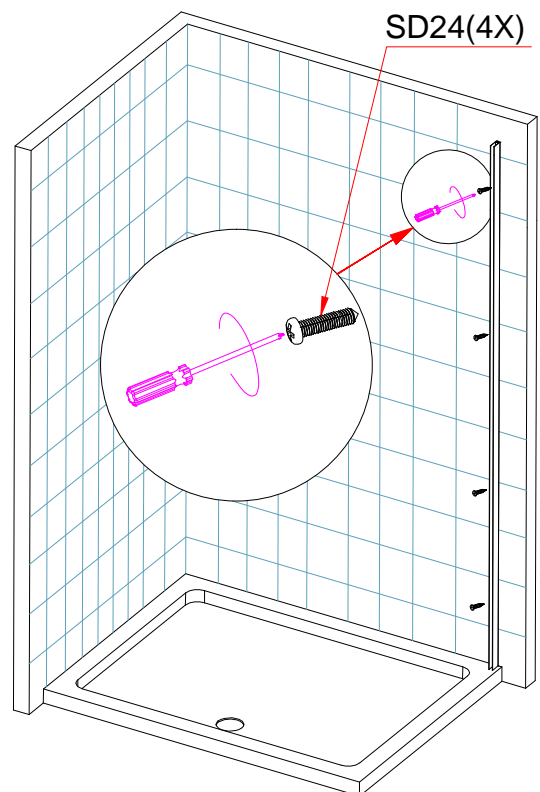
2



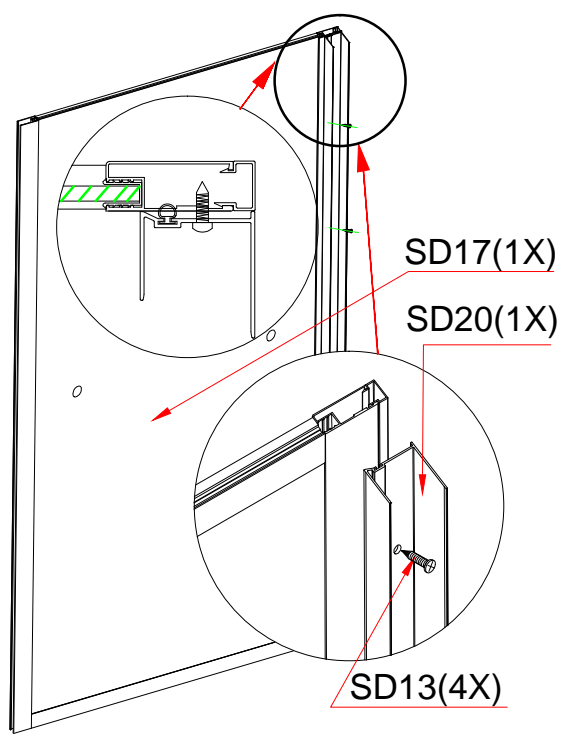
3



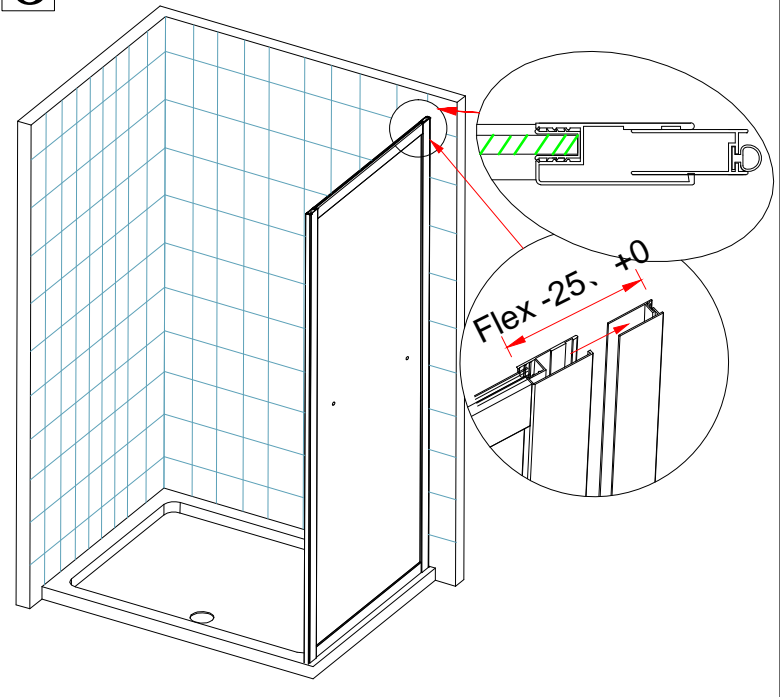
4



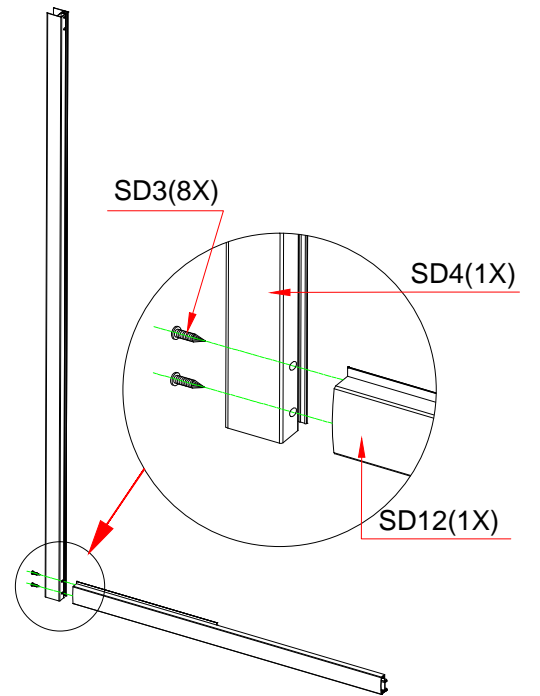
5



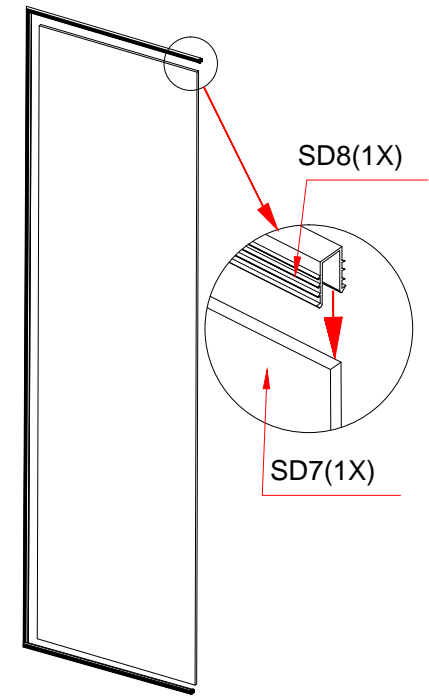
6



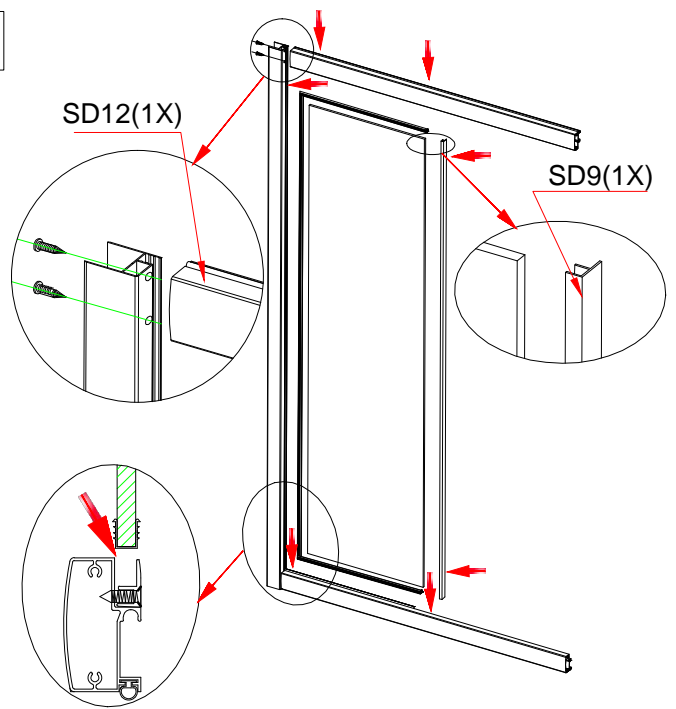
7



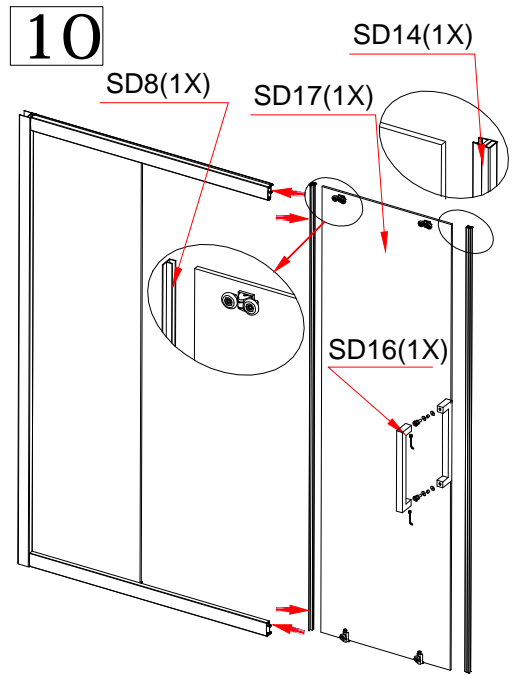
8



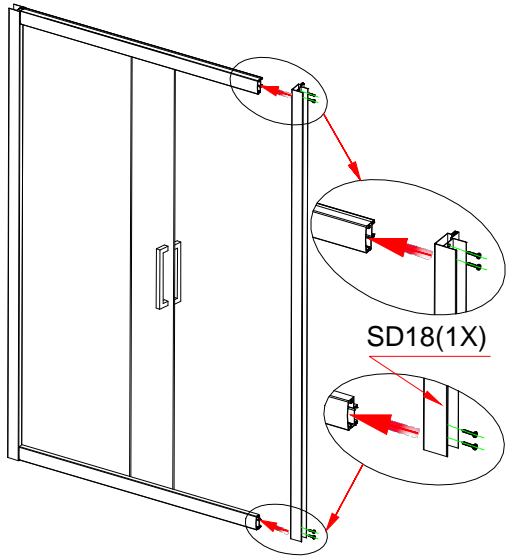
9



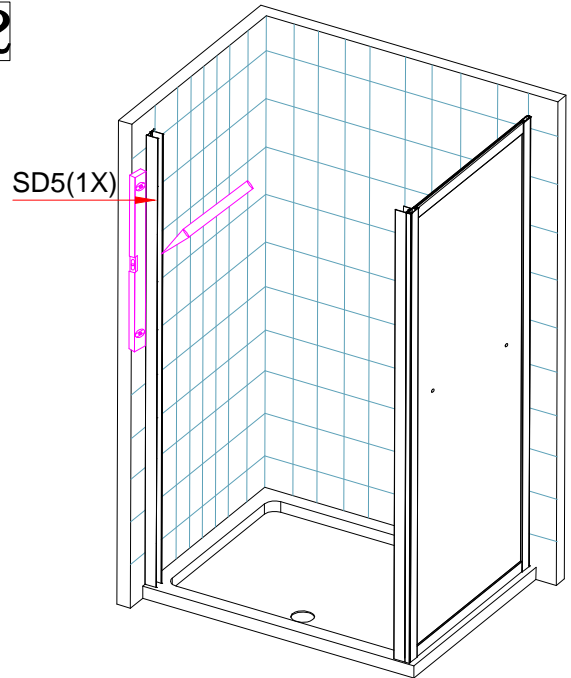
10



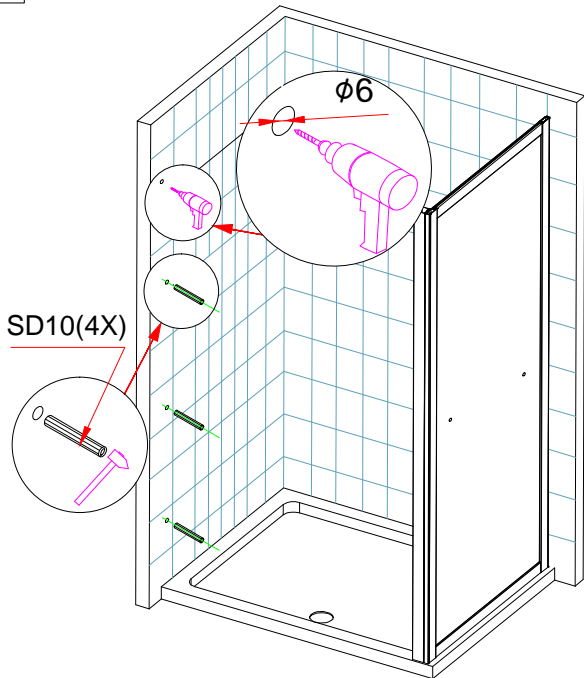
11



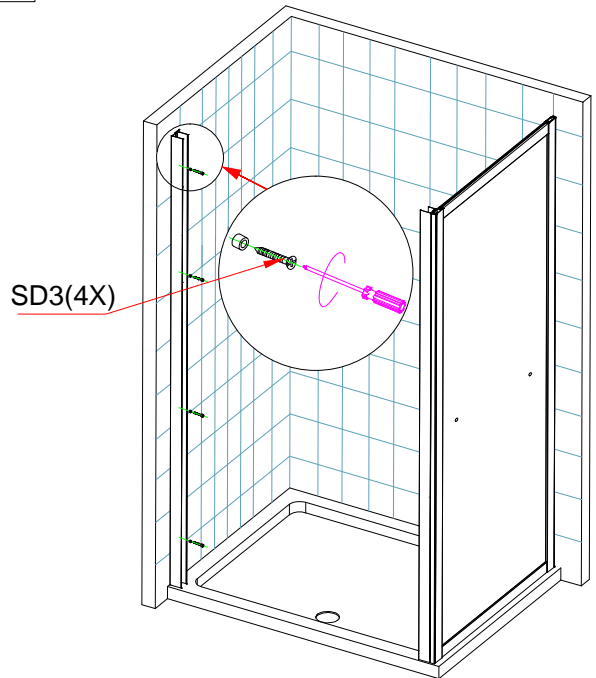
12



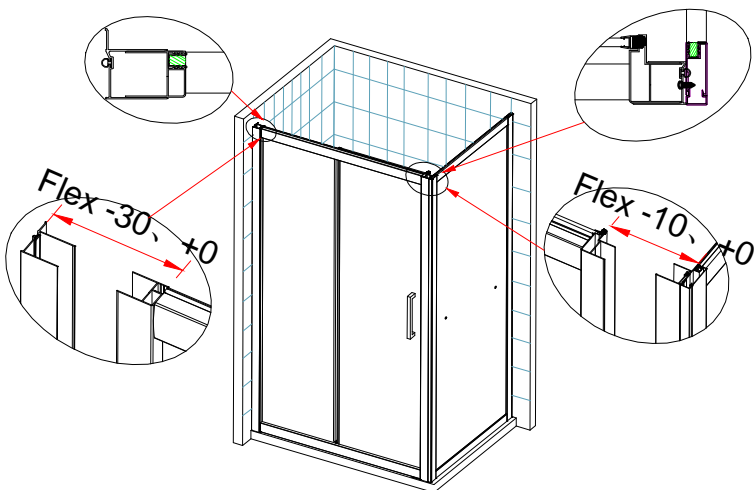
13



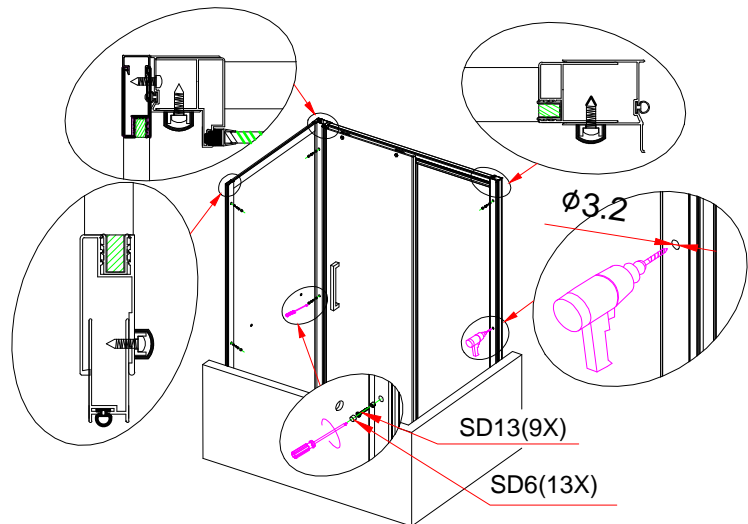
14



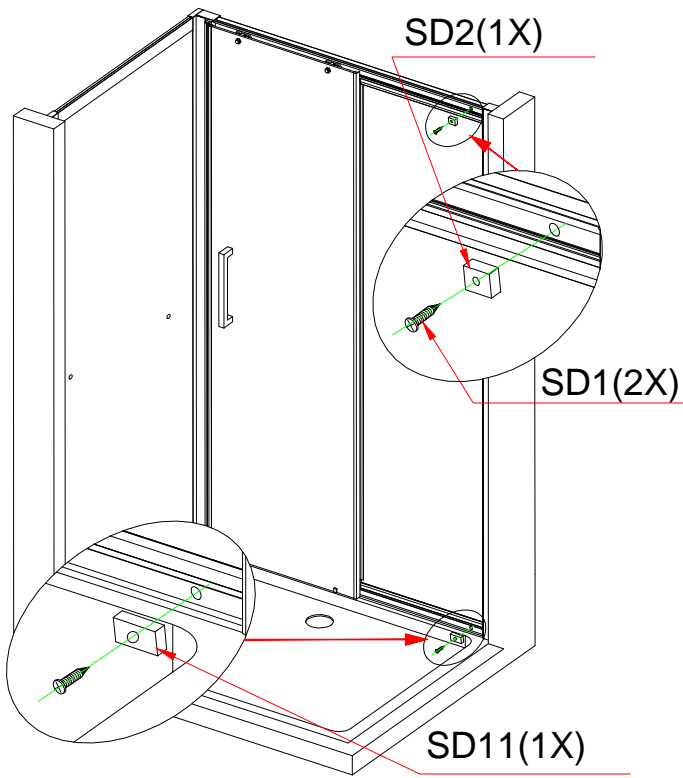
15



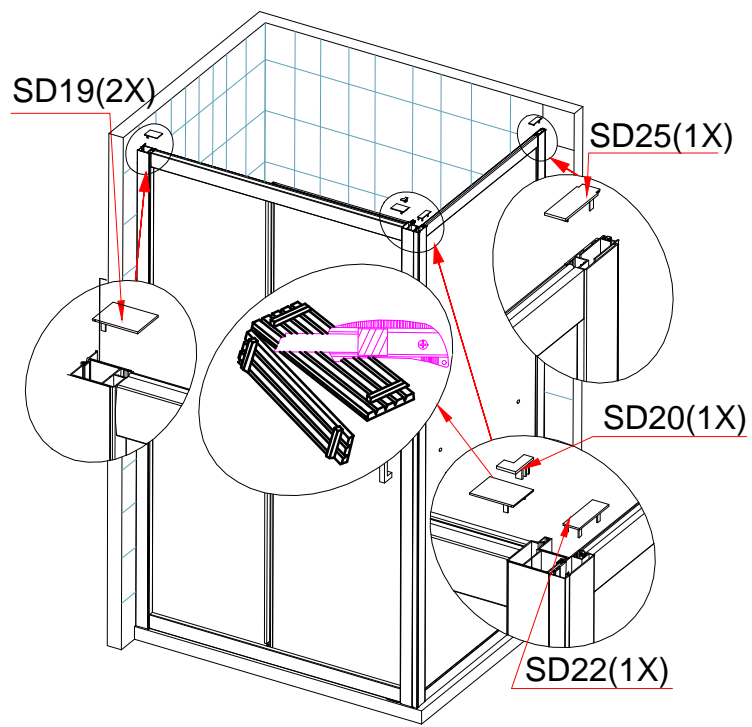
16



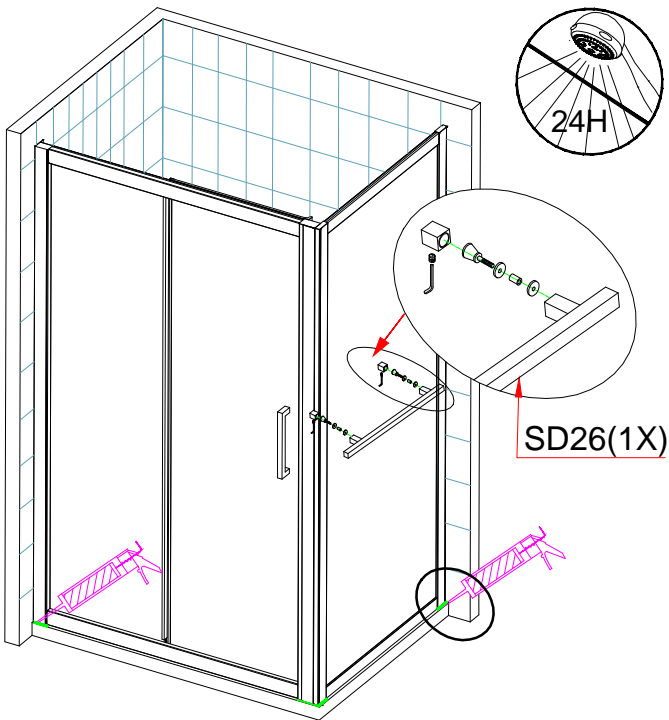
17



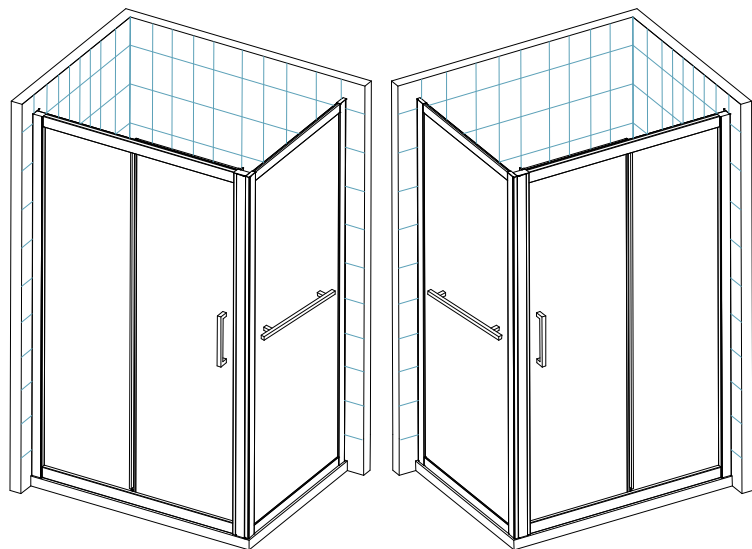
18



19



20



Silicone on the outside of the screen only

Cleaning & Maintenance

Don't clean the shower enclosure with irritant detergent such as alcohol,bleach or other chemical cleaners.

Only clean with warm soapy water.

After the installation is completed,should you find that there is notable noise when the glass door moves,you may add a small quantity of lubricant onto the roller wheel,slipping hook and the track.

Helpline: 01452 317890