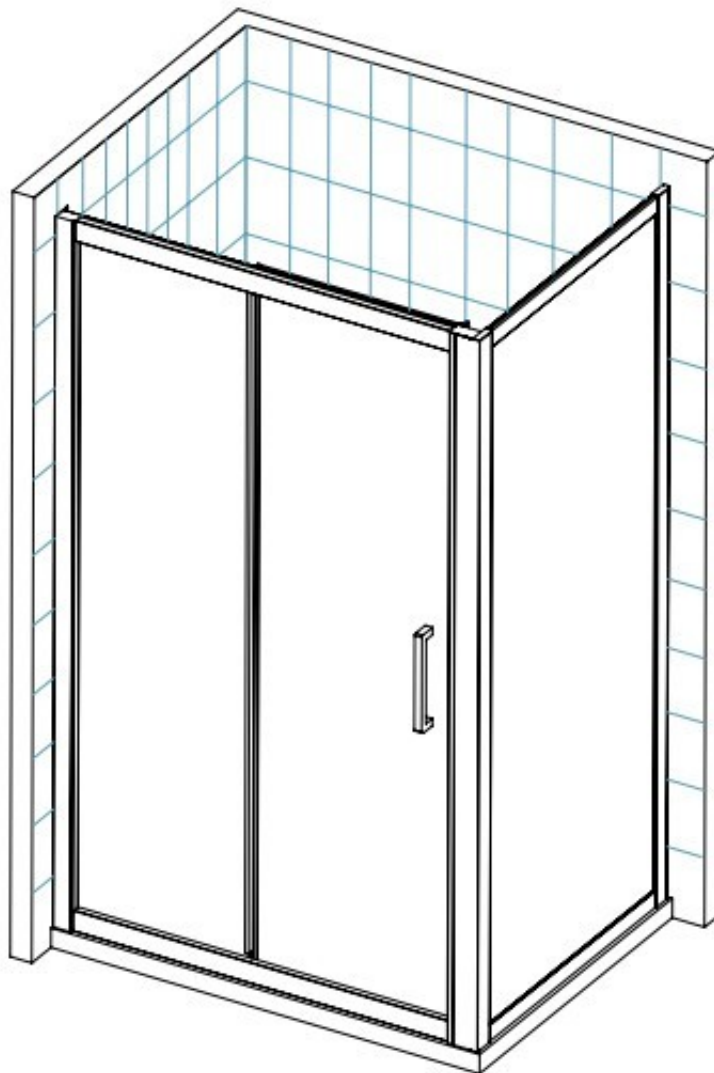
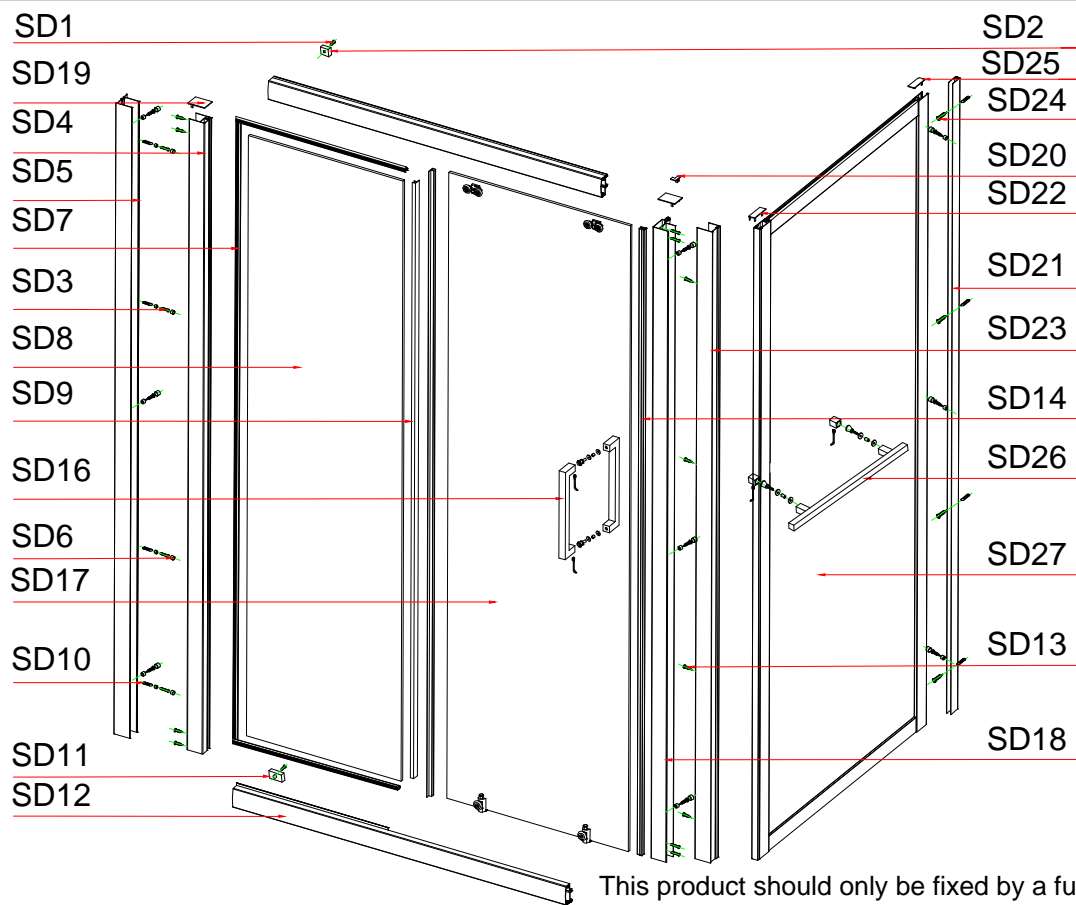


# INSTALLATION MANUAL

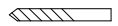
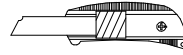
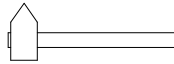
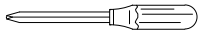
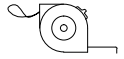
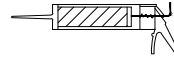
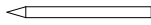
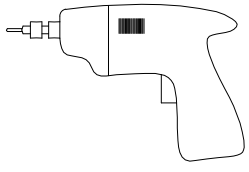
Eastbrook Code	Adjustment	Eastbrook Code	Adjustment
69.0075	960-1000	69.0077	1160-1200
69.0078	1360-1400		



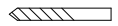
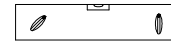


This product should only be fixed by a fully qualified installer

SD17  1X	SD8  1X	SD27  1X	SD2  1X	SD11  1X	SD6  13X
SD5  1X	SD4  1X	SD12  2X	SD7  1X	SD16  1X	SD10  8X
SD1  25 ST4 2X	SD3  30 ST4 12X	SD13  10 ST4 13X	SD24  30 ST4 4X	SD20  1X	SD19  2X
SD25  1X	SD22  1X	SD9  2X	SD26  1X	SD14  1X	

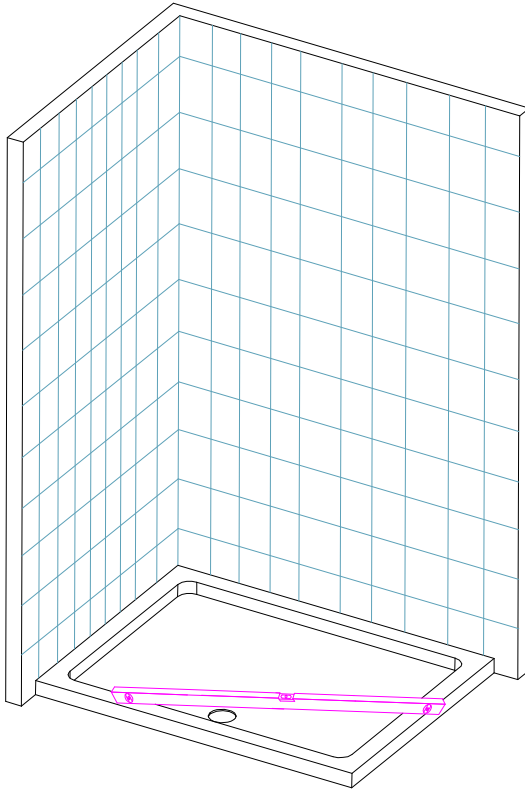


ø6

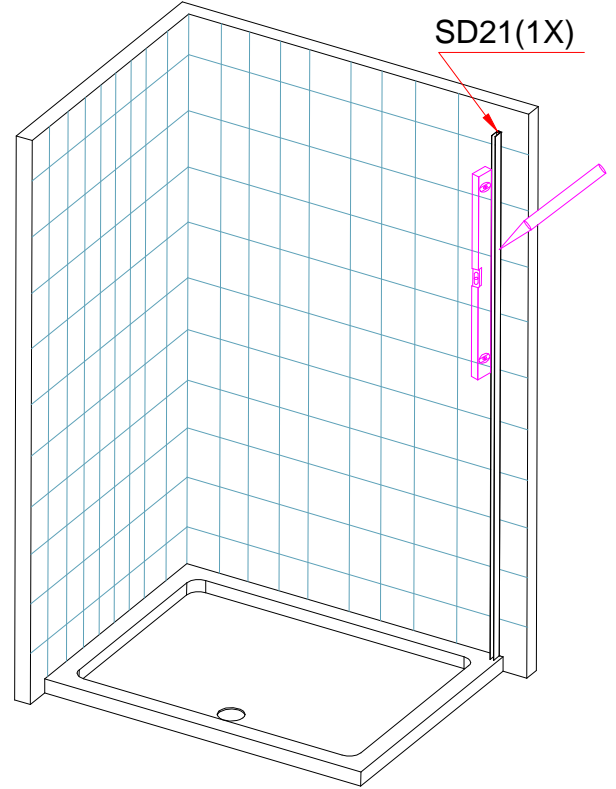


ø3.2

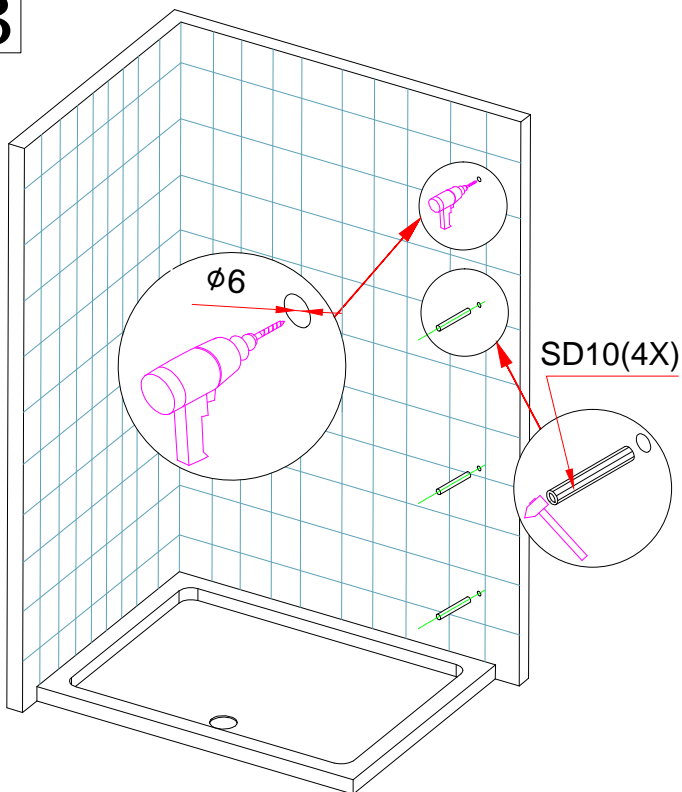
1



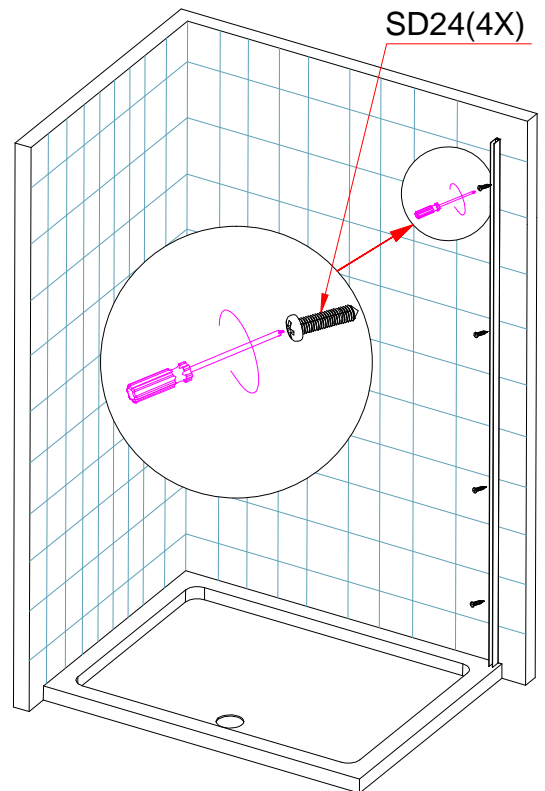
2



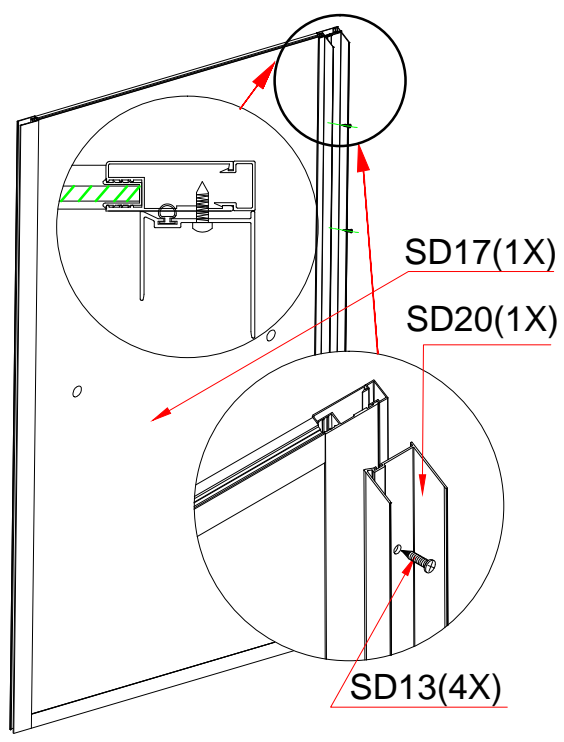
3



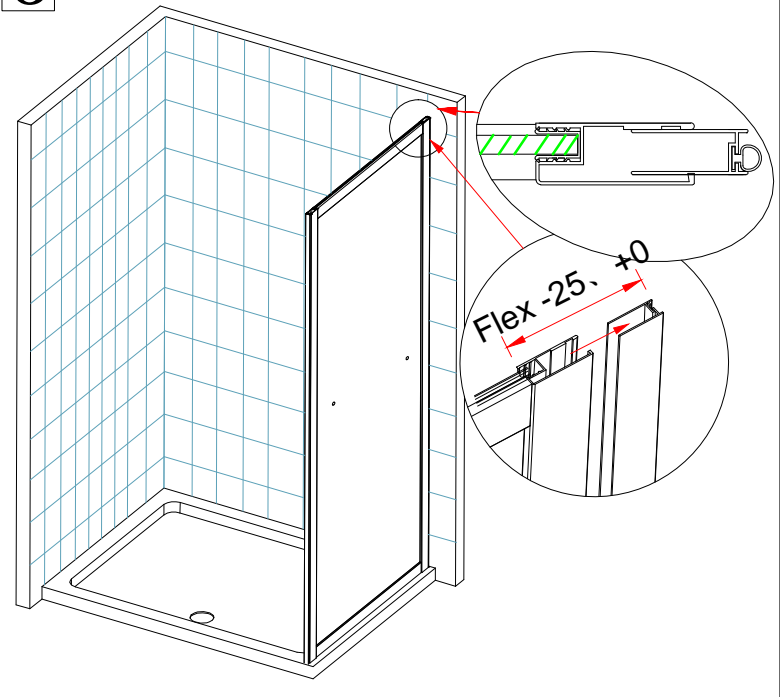
4



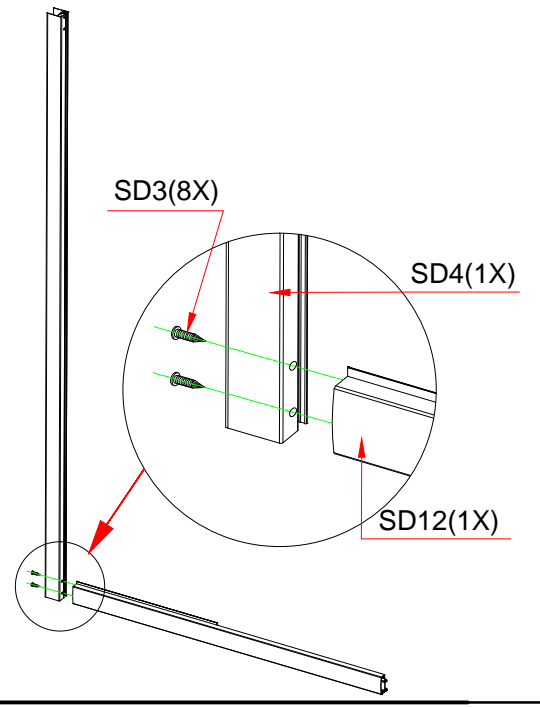
5



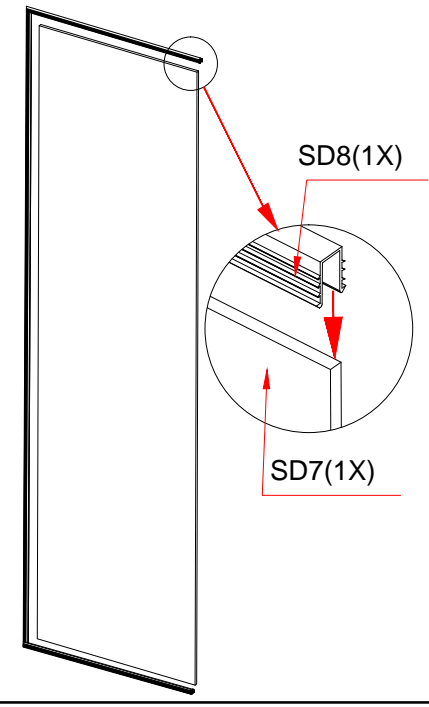
6



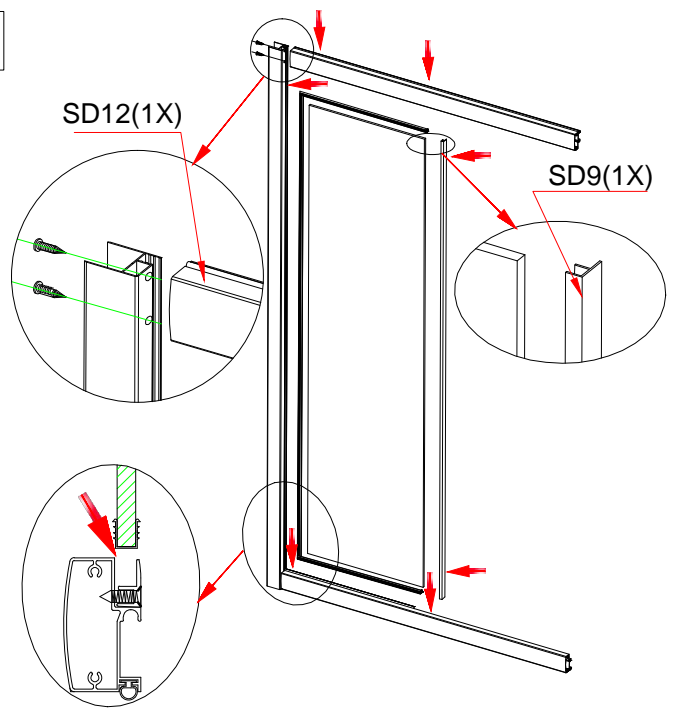
7



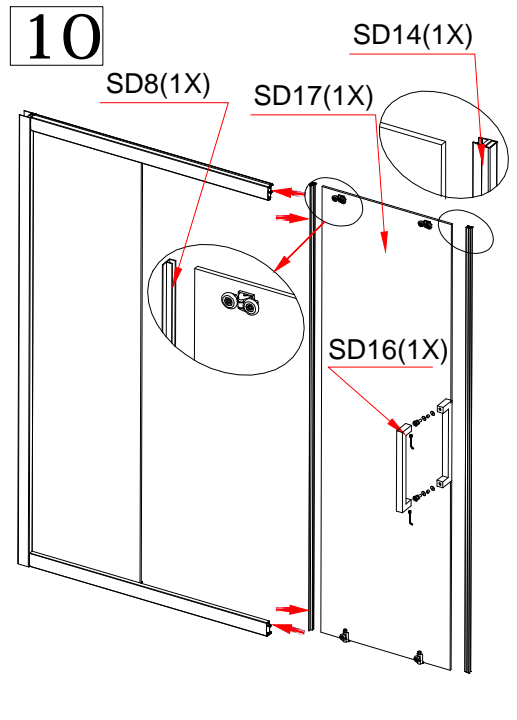
8



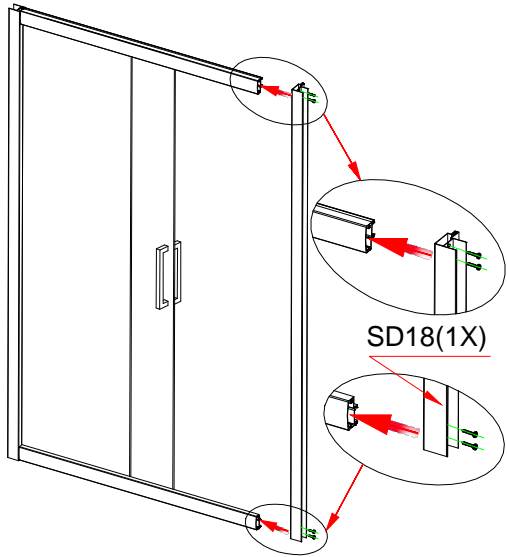
9



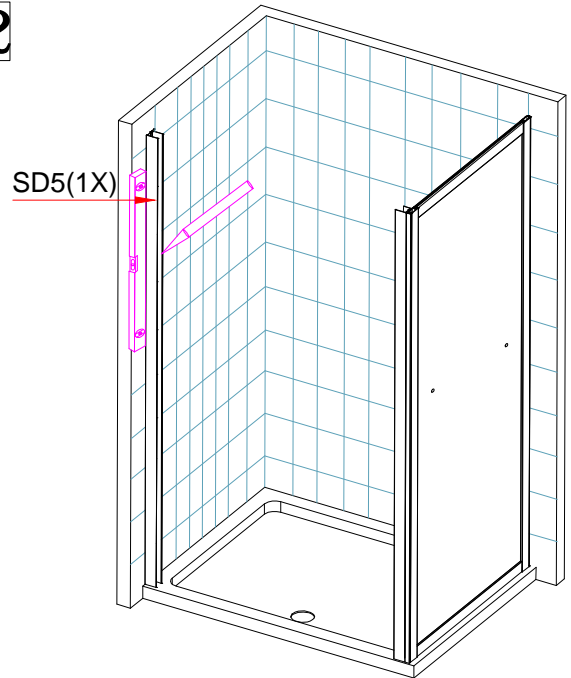
10



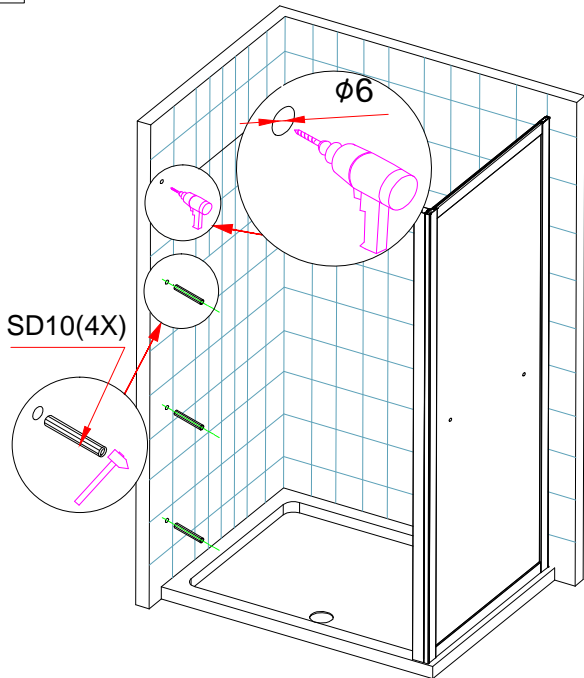
11



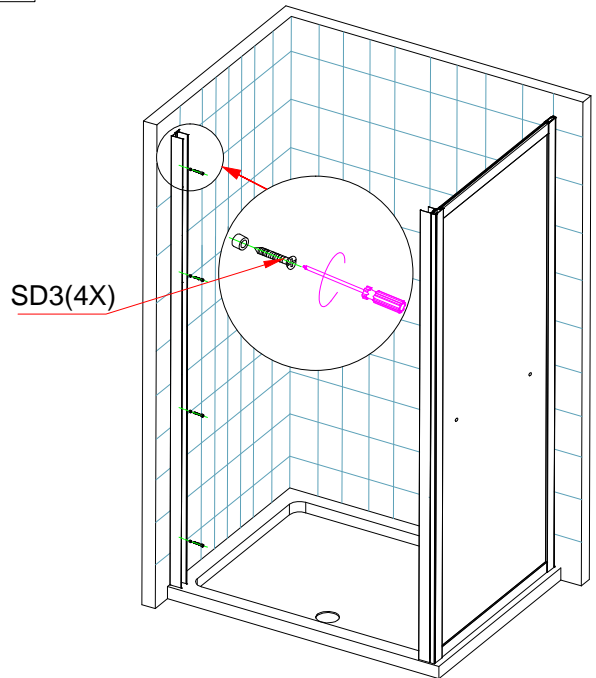
12



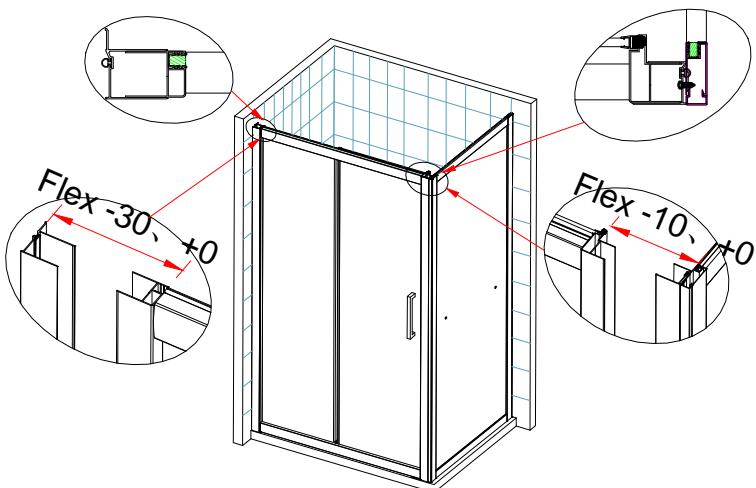
13



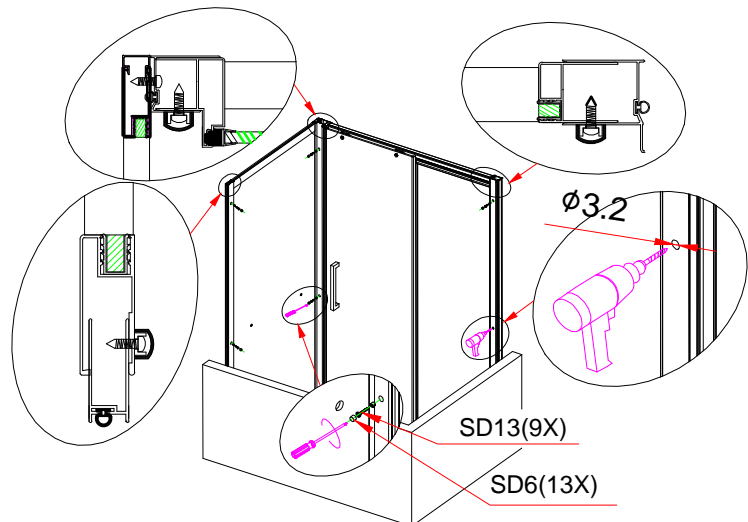
14



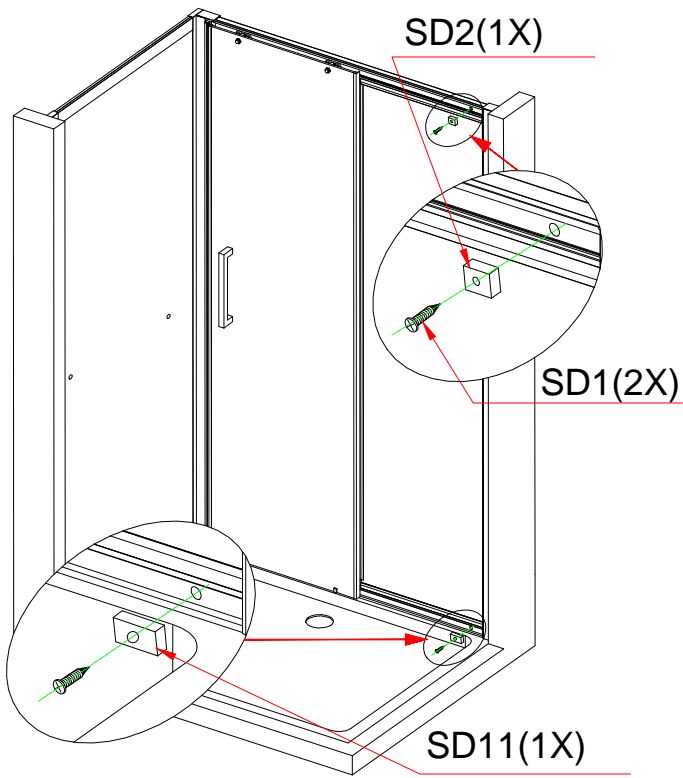
15



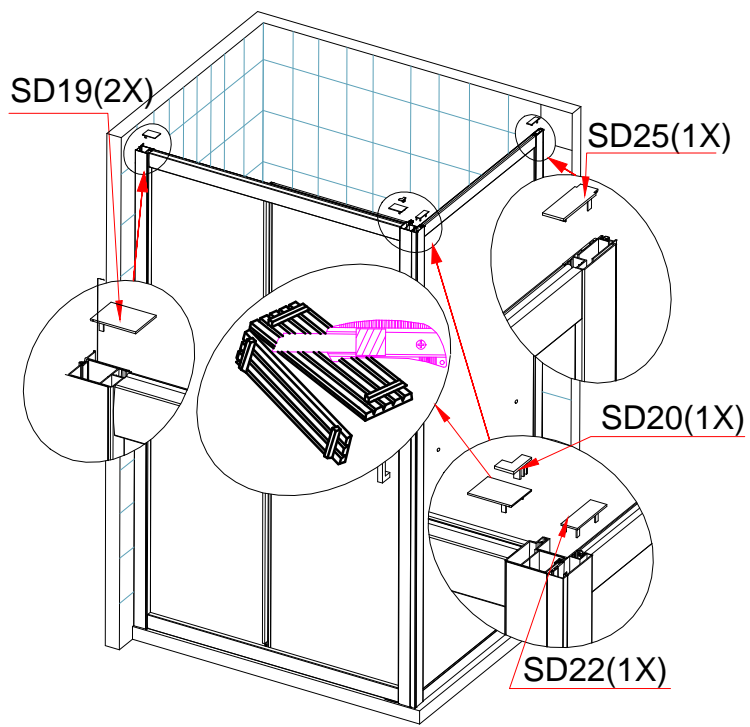
16



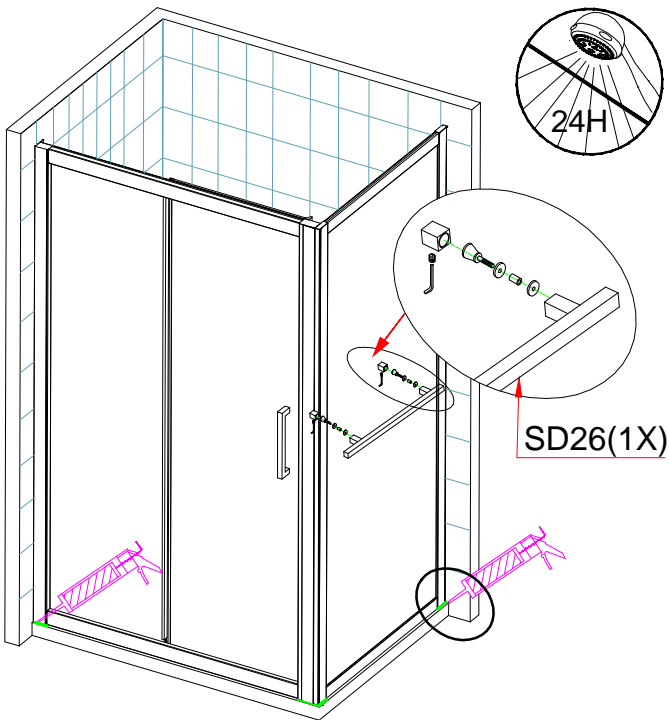
17



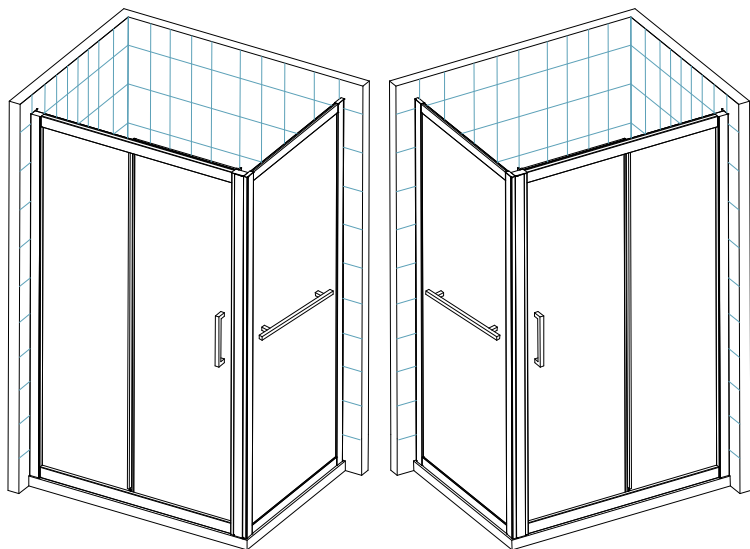
18



19



20



Silicone on the outside of the screen only

## Cleaning & Maintenance

Don't clean the shower enclosure with irritant detergent such as alcohol,bleach or other chemical cleaners.

Only clean with warm soapy water.

After the installation is completed,should you find that there is notable noise when the glass door moves,you may add a small quantity of lubricant onto the roller wheel,slipping hook and the track.

Helpline: 01452 317890