

## DATASHEET

### Image



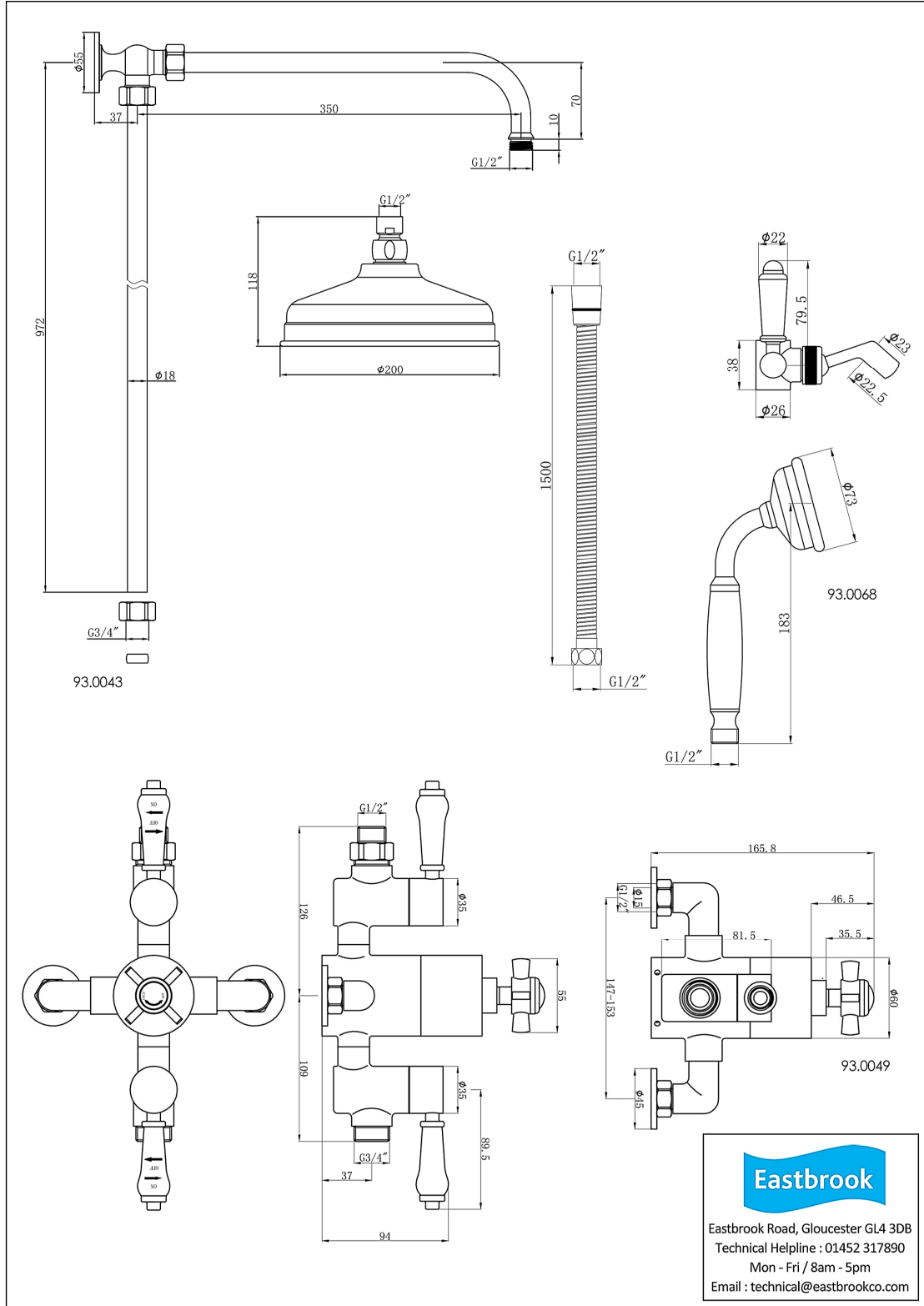
### General Information

Product:	93.0071
Description:	Traditional Riser Kit with Twin Valve
Website Link:	<a href="#">(Click Here)</a>
Product Type:	Riser Kit
Brand:	Eastbrook Company
Colour:	White/Chrome
Height (mm):	1263mm
Width (mm):	230mm
Length (mm):	487mm
Net Weight (kg):	4.84kg

### Product Specifications

Finish:	Polished
Waste Included:	No
Mounting:	Wall
Flow rate Litres/Min (1.0 bar):	12.5
Flow rate Litres/Min (2.0 bar):	18
Flow rate Litres/Min (3.0 bar):	22
Minimum Bar Pressure re-	1

## Drawing



**Eastbrook**  
Eastbrook Road, Gloucester GL4 3DB  
Technical Helpline : 01452 317890  
Mon - Fri / 8am - 5pm  
Email : technical@eastbrookco.com