

## DATASHEET

### Image



### General Information

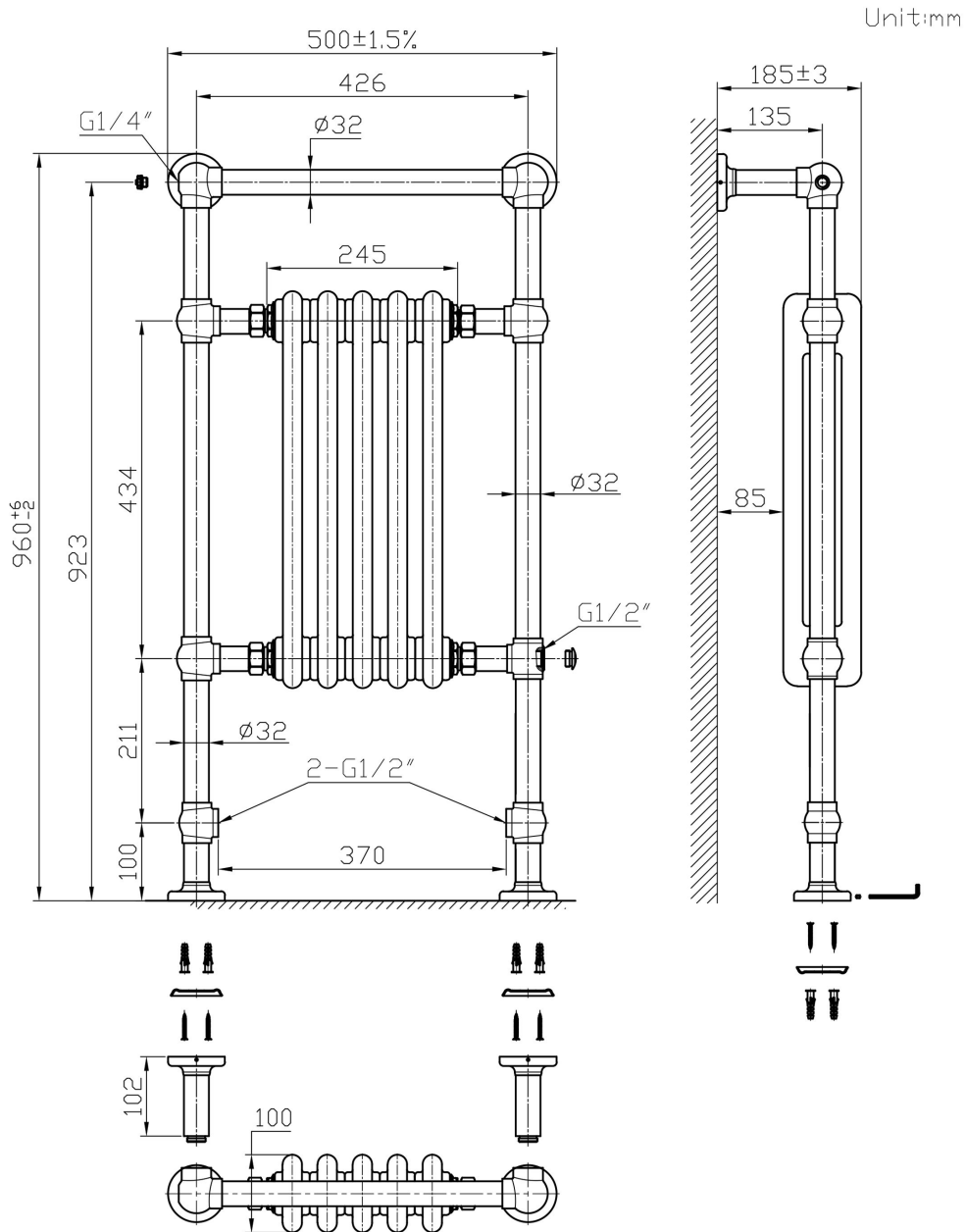
|                  |                              |
|------------------|------------------------------|
| Product:         | 41.1026                      |
| Description:     | Avon 960 x 500               |
| Website Link:    | <a href="#">(Click Here)</a> |
| Product Type:    | Towel Rail                   |
| Brand:           | Eastbrook Company            |
| Colour:          | Chrome/Matt Black            |
| Material:        | Mild Steel                   |
| Height (mm):     | 960mm                        |
| Width (mm):      | 500mm                        |
| Net Weight (kg): | 13.8kg                       |
| Product Range:   | Avon                         |

### Product Specifications

|                                      |                |
|--------------------------------------|----------------|
| Warranty:                            | 5 Year(s)      |
| Supplied with fixings:               | Yes            |
| Orientation:                         | Floor Standing |
| BTU $\Delta T50^{\circ}\text{C}$ :   | 1413           |
| BTU $\Delta T60^{\circ}\text{C}$ :   | 1808           |
| Watts $\Delta T50^{\circ}\text{C}$ : | 414            |
| Watts $\Delta T60^{\circ}\text{C}$ : | 530            |

**Drawing**

**Avon Traditional Towel Rail 960 x 500mm.  
 Technical Drawing**



Tappings : 370mm.  
 Tappings from wall : 135mm.  
 Distance from wall : 185mm.

**Eastbrook**   
 Eastbrook Road, Gloucester GL4 3DB  
 Technical Helpline : 01452 317890  
 Mon - Fri / 8am - 5pm  
 Email : technical@eastbrookco.com