

## DATASHEET

### Image



### General Information

Product:	41.3024
Description:	15mm Angled TRV and Lockshield Valve
Website Link:	<a href="#">(Click Here)</a>
Product Type:	Radiator Valve
Brand:	Eastbrook Company
Colour:	Matt Anthracite
Material:	Brass + Plastic
Net Weight (kg):	0.44kg
Product Range:	Radiator Valves

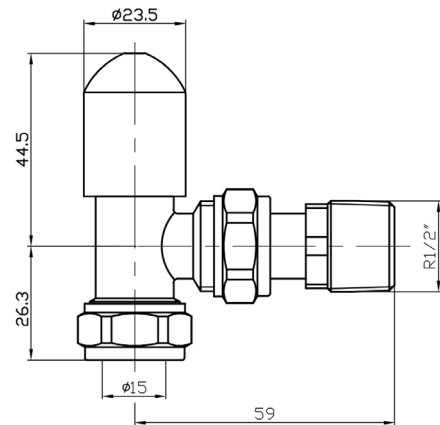
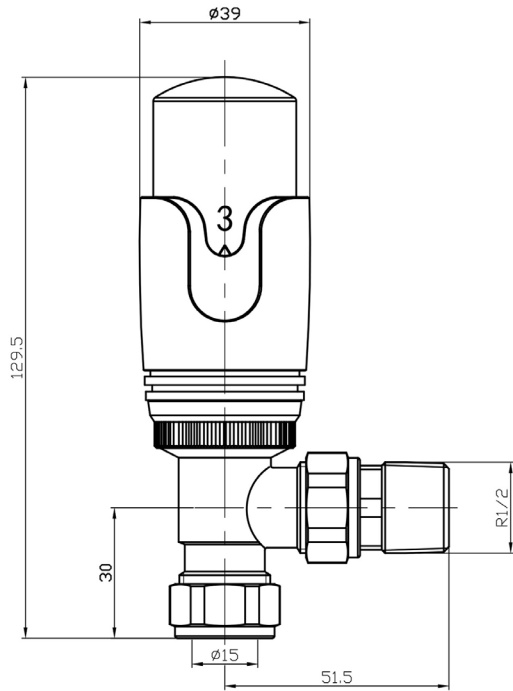
### Product Specifications

Warranty:	2 Year(s)
Valve Types:	Angled

## Drawing

### Eastbrook

Angled Thermostatic Radiator Valve & Lockshield  
Technical Drawing



12.047  
12.041  
12.031  
41.3036  
41.3023  
41.3027  
41.3029  
41.3024  
41.3025  
12.076  
12.079  
12.085

**Eastbrook**   
Eastbrook Road, Gloucester GL4 3DB  
Technical Helpline : 01452 317890  
Mon - Fri / 8am - 5pm  
Email : [technical@eastbrookco.com](mailto:technical@eastbrookco.com)