

DATASHEET

Image



General Information

Product:	41.0823
Description:	Imperia 2 Column Multirail 612 x 1000mm
Website Link:	(Click Here)
Product Type:	Towel Rail
Brand:	Eastbrook Company
Colour:	Matt Anthracite
Material:	Mild Steel
Height (mm):	612mm
Width (mm):	1000mm
Net Weight (kg):	13.19kg
Product Range:	Imperia Multirail

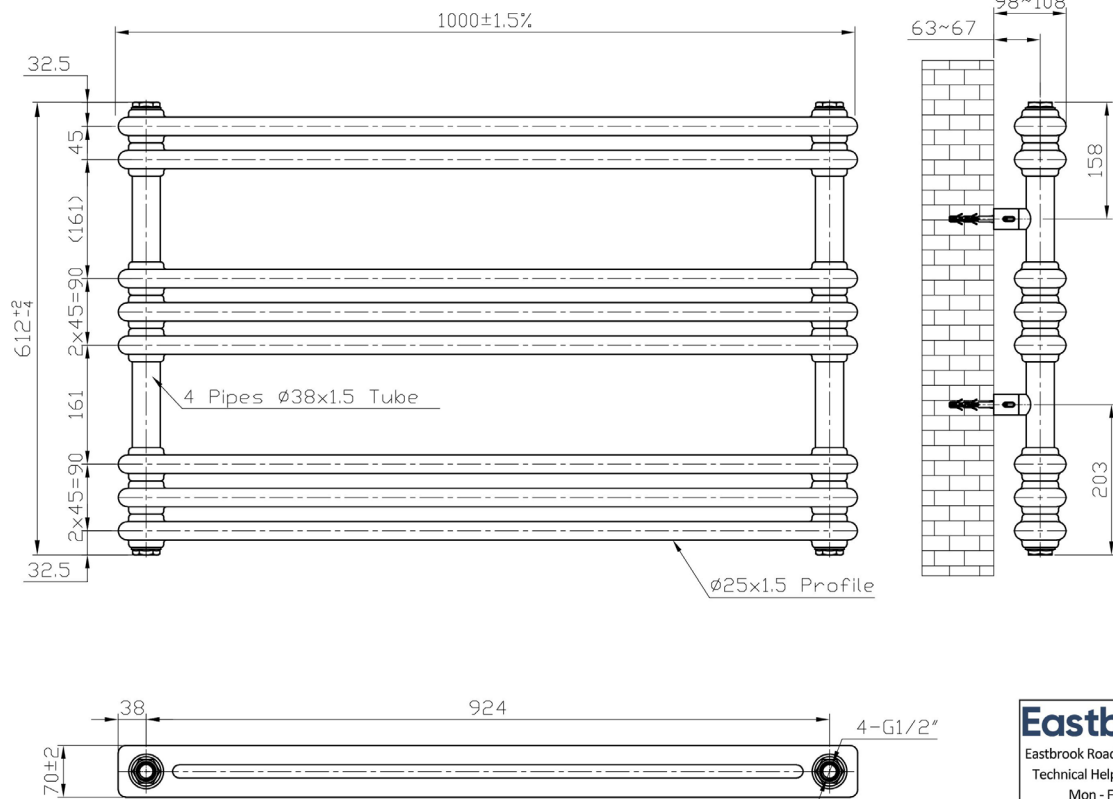
Product Specifications

Warranty:	5 Year(s)
Supplied with fixings:	Yes
Orientation:	Landscape
BTU $\Delta T50^{\circ}\text{C}$:	2057
BTU $\Delta T60^{\circ}\text{C}$:	2634
Watts $\Delta T50^{\circ}\text{C}$:	603
Watts $\Delta T60^{\circ}\text{C}$:	772
Number of Horizontal Bars:	8

Drawing

Imperia 2 Column Multirail 612 x 1000mm. Technical Drawing

Unit: mm



Eastbrook 
Eastbrook Road, Gloucester GL4 3DB
Technical Helpline : 01452 317890
Mon - Fri / 8am - 5pm
Email : technical@eastbrookco.com