

## DATASHEET

### Image



### General Information

Product:	41.1022
Description:	Painswick 778 x 686 Towel Rail
Website Link:	<a href="#">(Click Here)</a>
Product Type:	Clearance Towel Rail
Brand:	Eastbrook Company
Colour:	Chrome
Material:	Mild Steel
Height (mm):	778mm
Width (mm):	686mm
Net Weight (kg):	11.1kg
Product Range:	Painswick

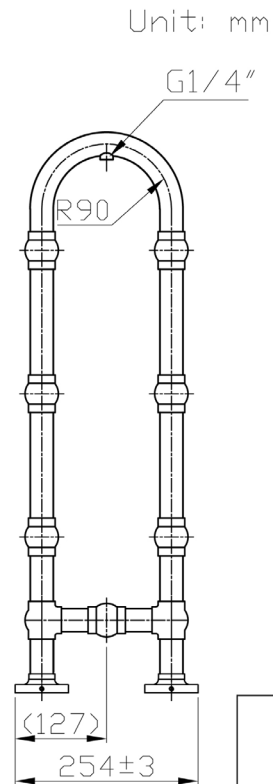
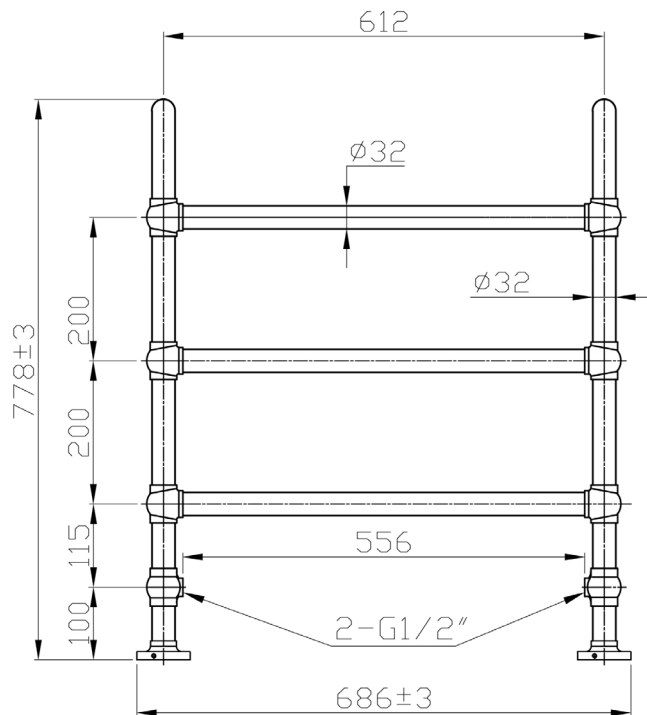
### Product Specifications

Warranty:	5 Year(s)
Supplied with fixings:	Yes
Orientation:	Floor Standing
BTU $\Delta T50^{\circ}\text{C}$ :	952
BTU $\Delta T60^{\circ}\text{C}$ :	1194
Watts $\Delta T50^{\circ}\text{C}$ :	279
Watts $\Delta T60^{\circ}\text{C}$ :	350

## Drawing

### 41.1022 Painswick technical drawing

The TRADITIONAL Range



Tappings : 556mm.  
Tappings from floor : 100mm.

**This product should be fitted by a fully qualified installer.**

**Eastbrook**

Eastbrook Road, Gloucester GL4 3DB  
Technical Helpline : 01452 317890  
Mon - Fri / 8am - 5pm  
Email : technical@eastbrookco.com