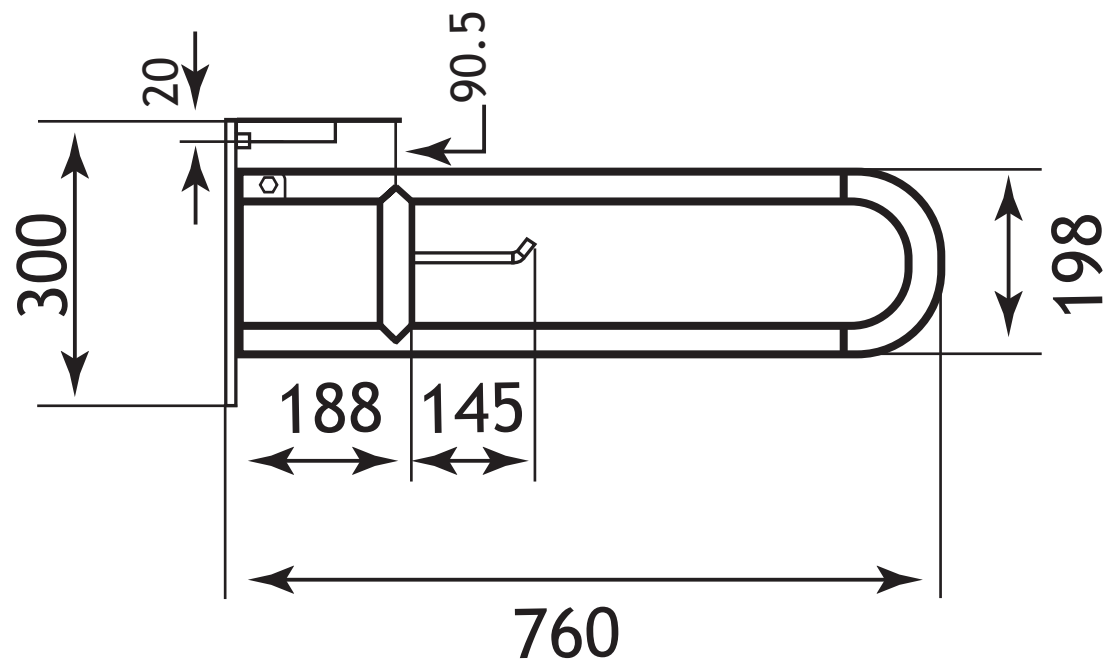

TECHNICAL SPECIFICATION

PRODUCT NAME:

Swing Arm White

CODE:

40.0251



For Technical Enquiries

email: technical@eastbrookco.com

helpline: 01452 317890
