

16 15 14 13 12 11 10 9 8 7 6 5 4 3 2 1

M

M

L

L

K

K

J

J

H

H

G

G

F

F

E

E

D

D

C

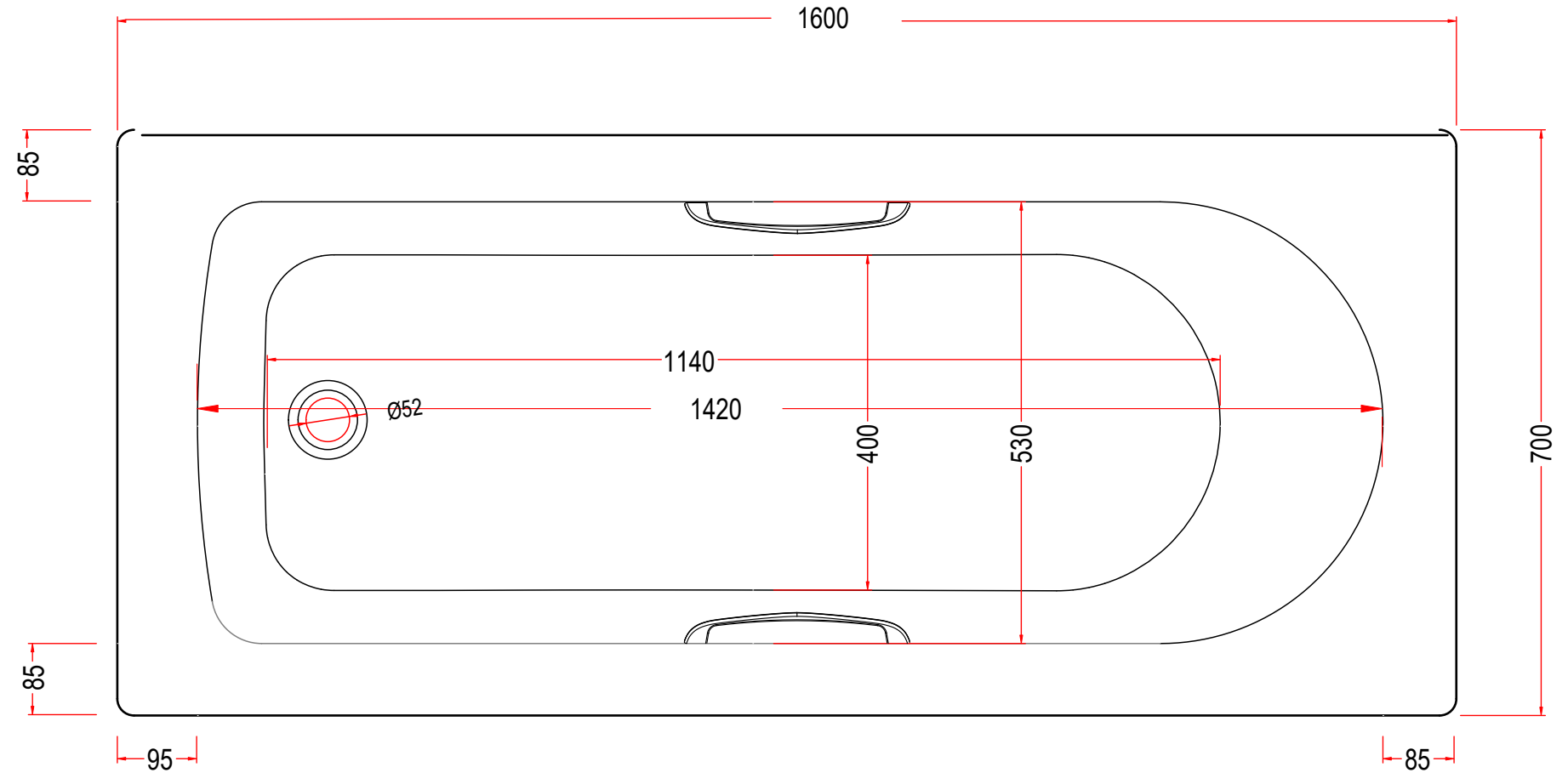
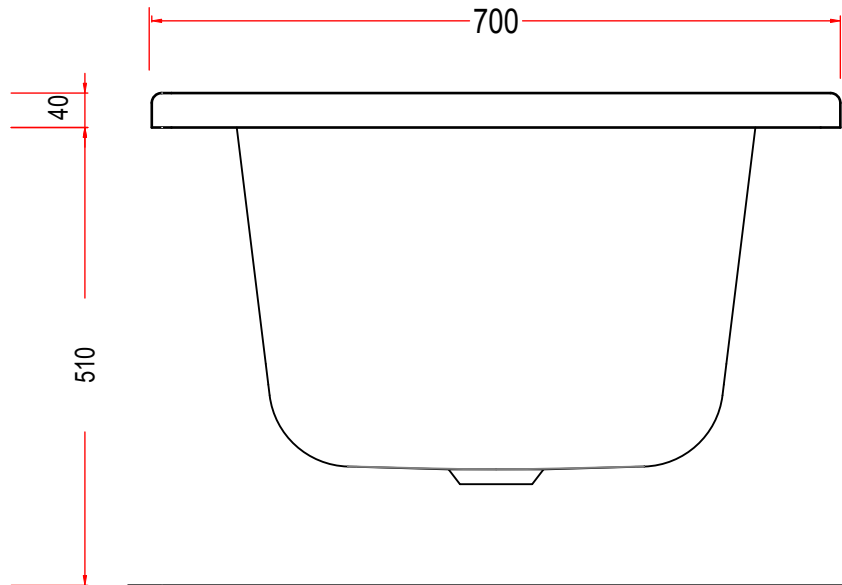
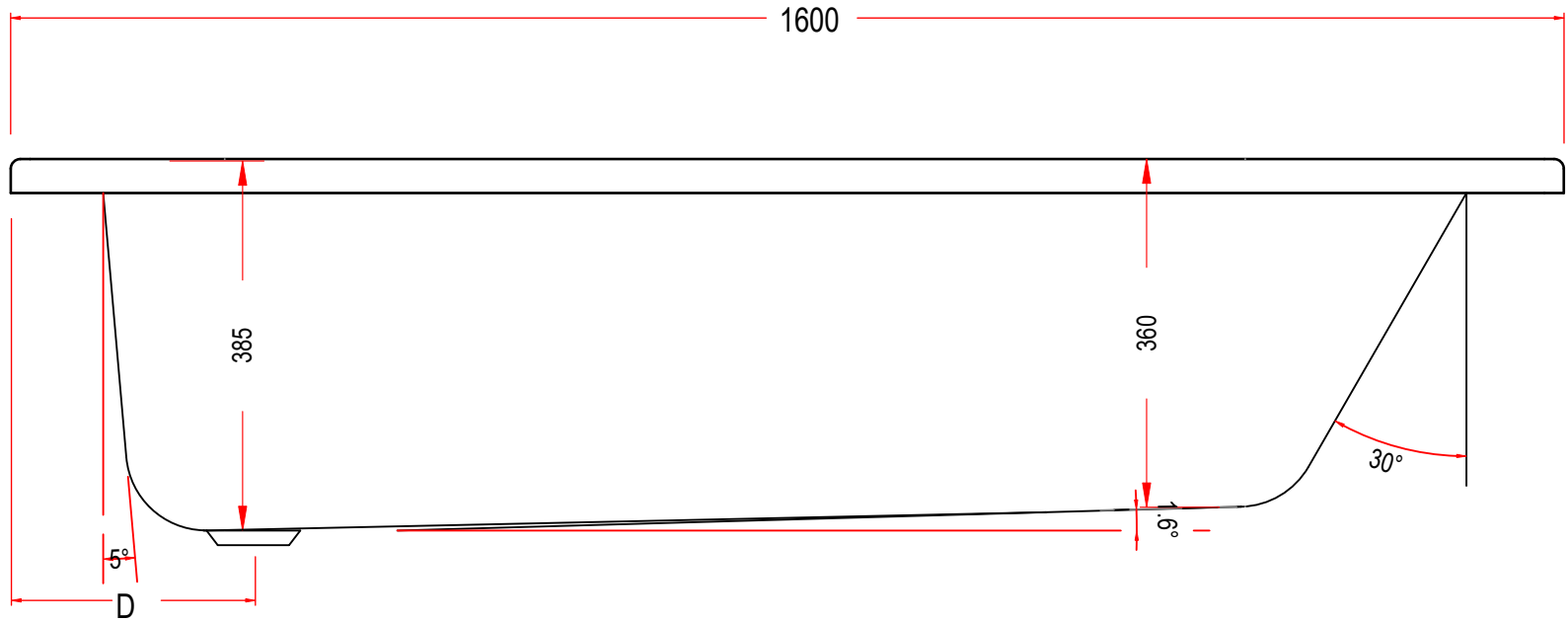
C

B

B

A

A



CONTRACT SE TWIN GRIP 1600x700x385mm

16 15 14 13 12 11 10 9 8 7 6 5 4 3 2 1