

DATASHEET

Image



General Information

| | |
|------------------|---------------------------------------|
| Product: | 41.0900 |
| Description: | Imperia 2 Column Radiator 300 x 830mm |
| Product Type: | Radiator |
| Brand: | Eastbrook Company |
| Colour: | Matt Black |
| Material: | Mild Steel |
| Height (mm): | 300mm |
| Width (mm): | 830mm |
| Net Weight (kg): | 10.7kg |
| Product Range: | Imperia |

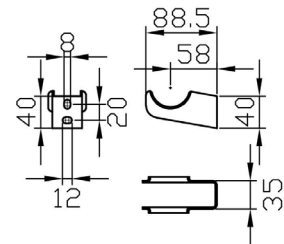
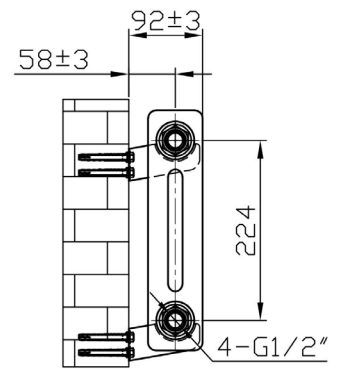
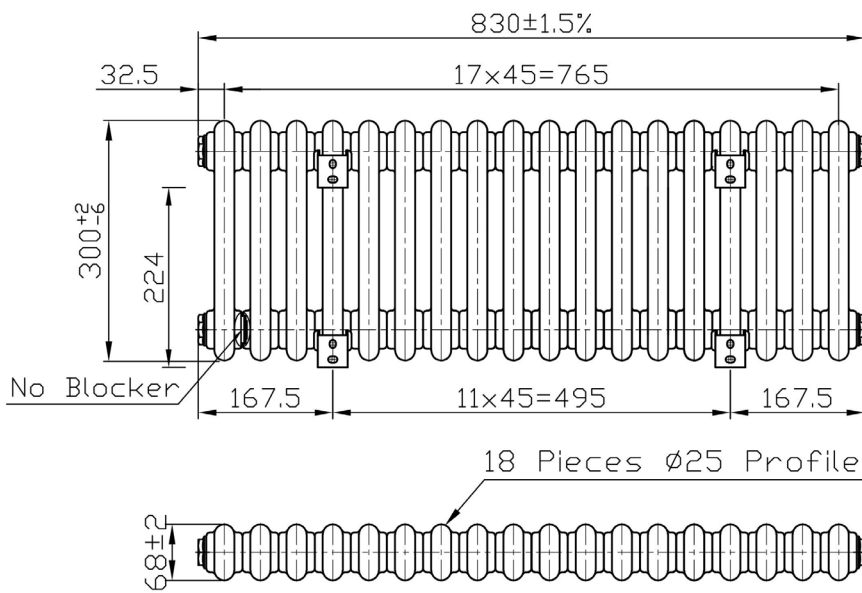
Product Specifications

| | |
|--------------------------------------|-----------|
| Warranty: | 5 Year(s) |
| Finish: | Matt |
| BTU $\Delta T50^{\circ}\text{C}$: | 1474 |
| BTU $\Delta T60^{\circ}\text{C}$: | 1862 |
| Watts $\Delta T50^{\circ}\text{C}$: | 432 |
| Watts $\Delta T60^{\circ}\text{C}$: | 546 |

Drawing

Imperia 2 Column Horizontal 300 x 830mm. Painted Technical Drawing

Unit: mm



Eastbrook 
Eastbrook Road, Gloucester GL4 3DB
Technical Helpline : 01452 317890
Mon - Fri / 8am - 5pm
Email : technical@eastbrookco.com