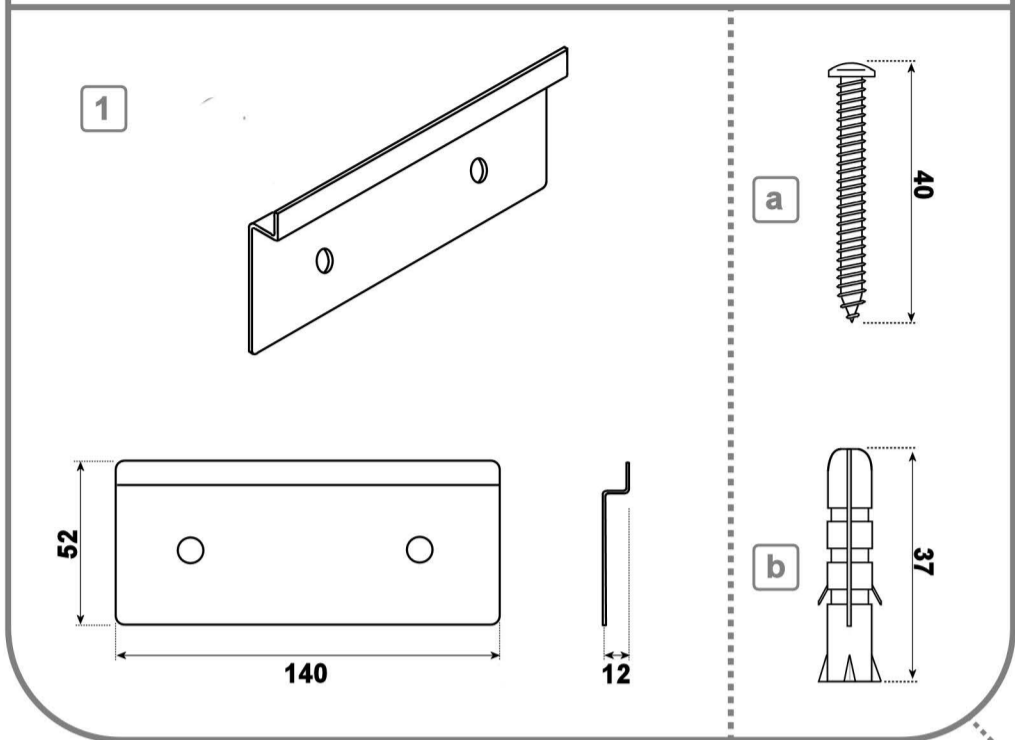
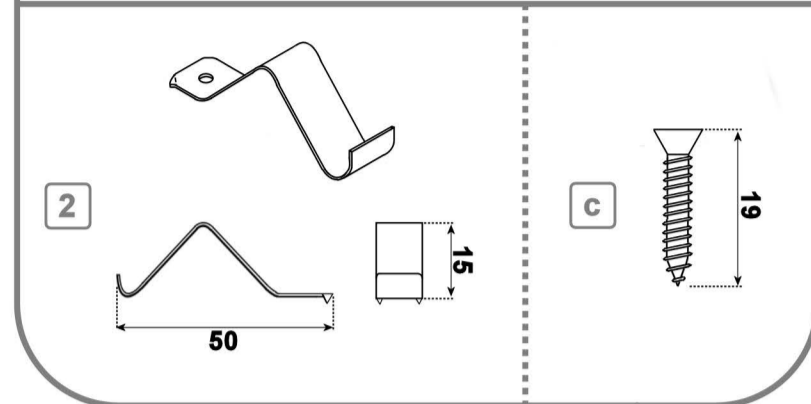


# AK-05-C

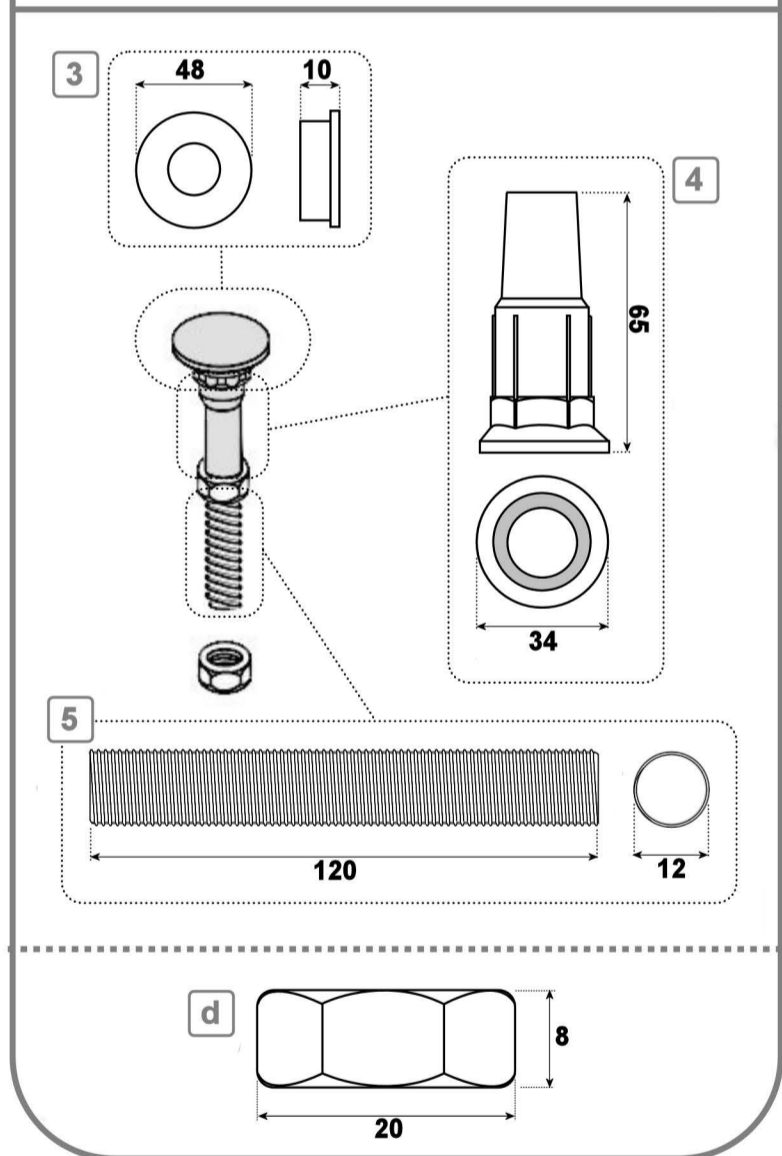
## WALL BRACKET ASSEMBLY



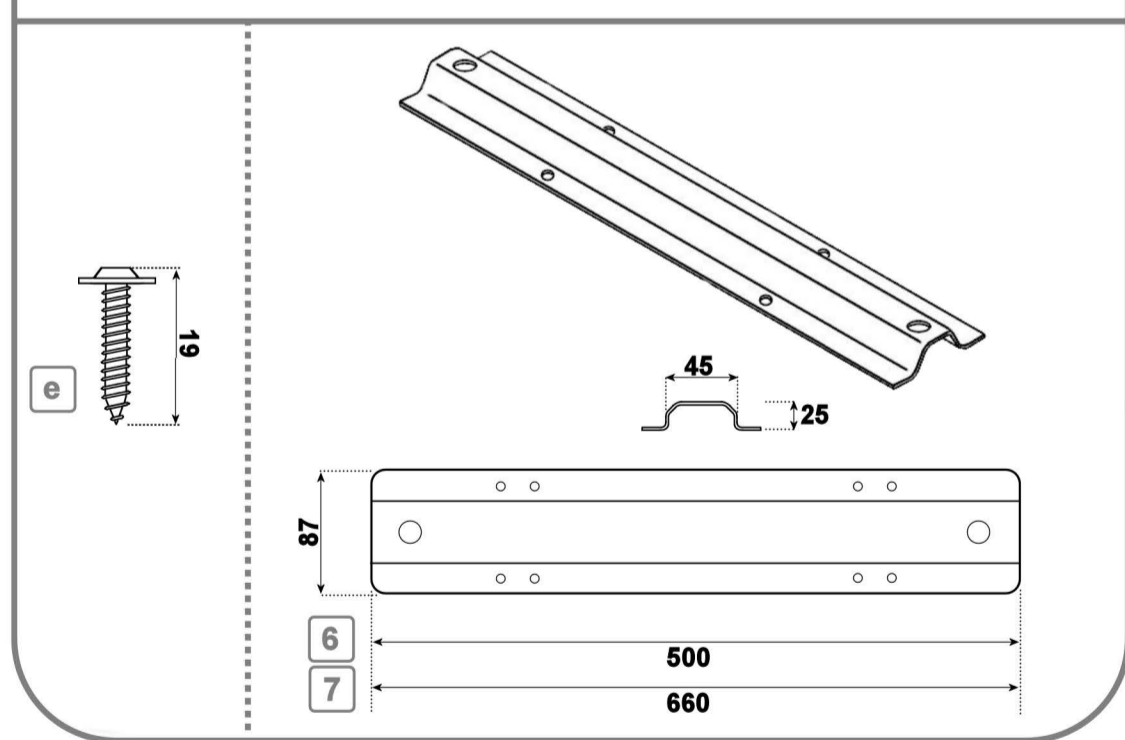
## PANEL CLIP ASSEMBLY



## FOOT BOLT ASSEMBLY



## CHANNEL ASSEMBLY



### WALL BRACKET ASSEMBLY

AKP-285244

1	Wall Bracket	3
a	40mm Screw	6
b	Wall Plug	6

### PANEL CLIP ASSEMBLY

AKP-285220

2	Panel Clip	6
c	Panel Clip Screw 19mm	6

### FOOT BOLT ASSEMBLY

AKP-285275

3	Bottom Plate for Leg	5
4	Plastic Leg M12	5
d	Hexagon Nut M12	15
AKP-285633		
5	Threaded Rod M12	5

### CHANNEL ASSEMBLY

AKP-285152

6	Metal Channel 500mm	1
e	Self Tapping Screw 19mm	4
AKP-285619		
7	Metal Channel 660mm	1
e	Self Tapping Screw 19mm	4