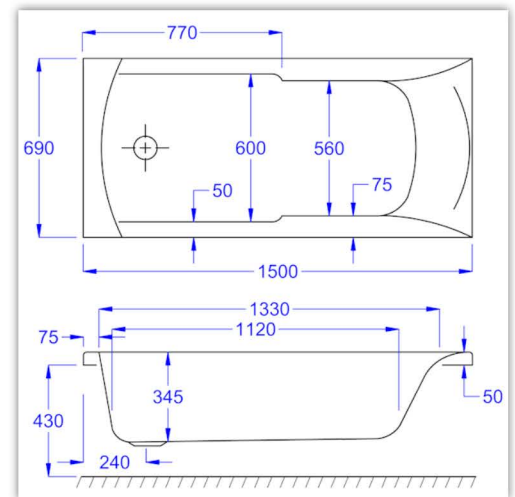


# AXIS

## 1500x700



BATH ALSO AVAILABLE WITH GRIPS



Carronite



Panel



Hand Grips

### WHIRLPOOL COMPATIBLE

N/A

### WATER CAPACITY

**131 LTR**

This measurement is taken to the overflow.

### KIT REFERENCES

STANDARD - AK-01  
CARRONITE - AK-01-C

Carron Bathrooms Ltd  
North Carron Works, Stenhouse Road, Falkirk, FK2 8UW  
Tel: +44 (0) 1324 638407  
Email: [info@carronbathrooms.com](mailto:info@carronbathrooms.com)

**carron**