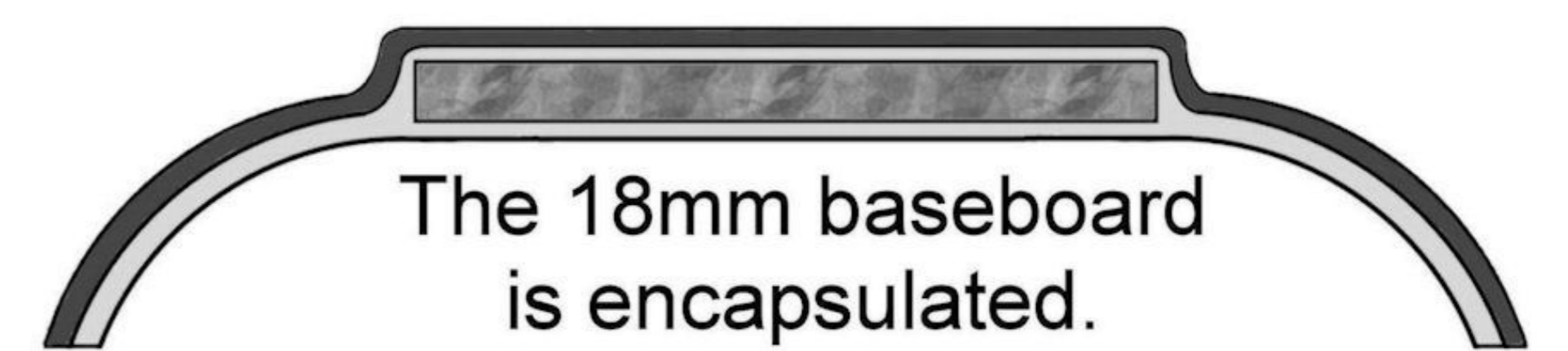
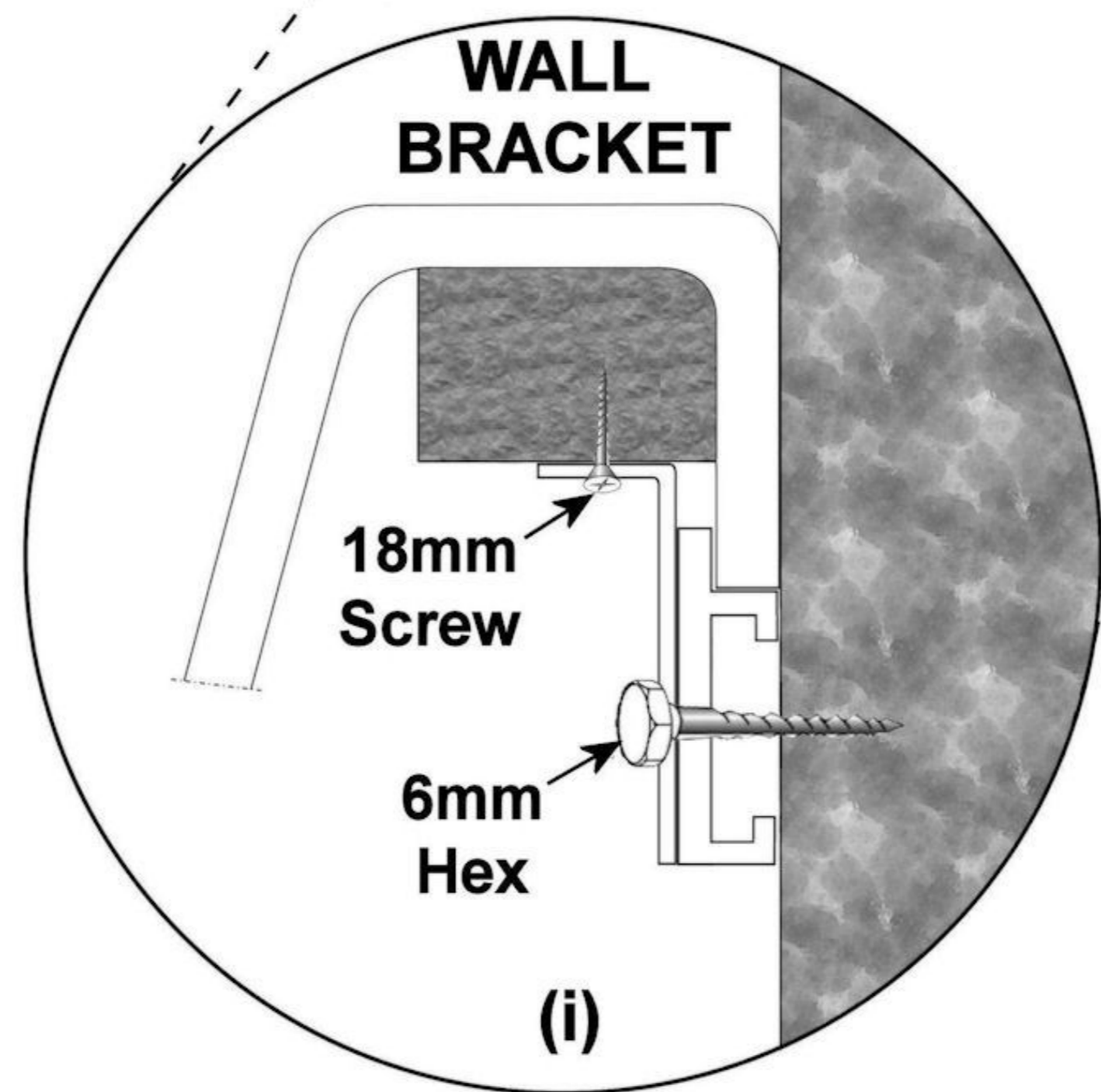
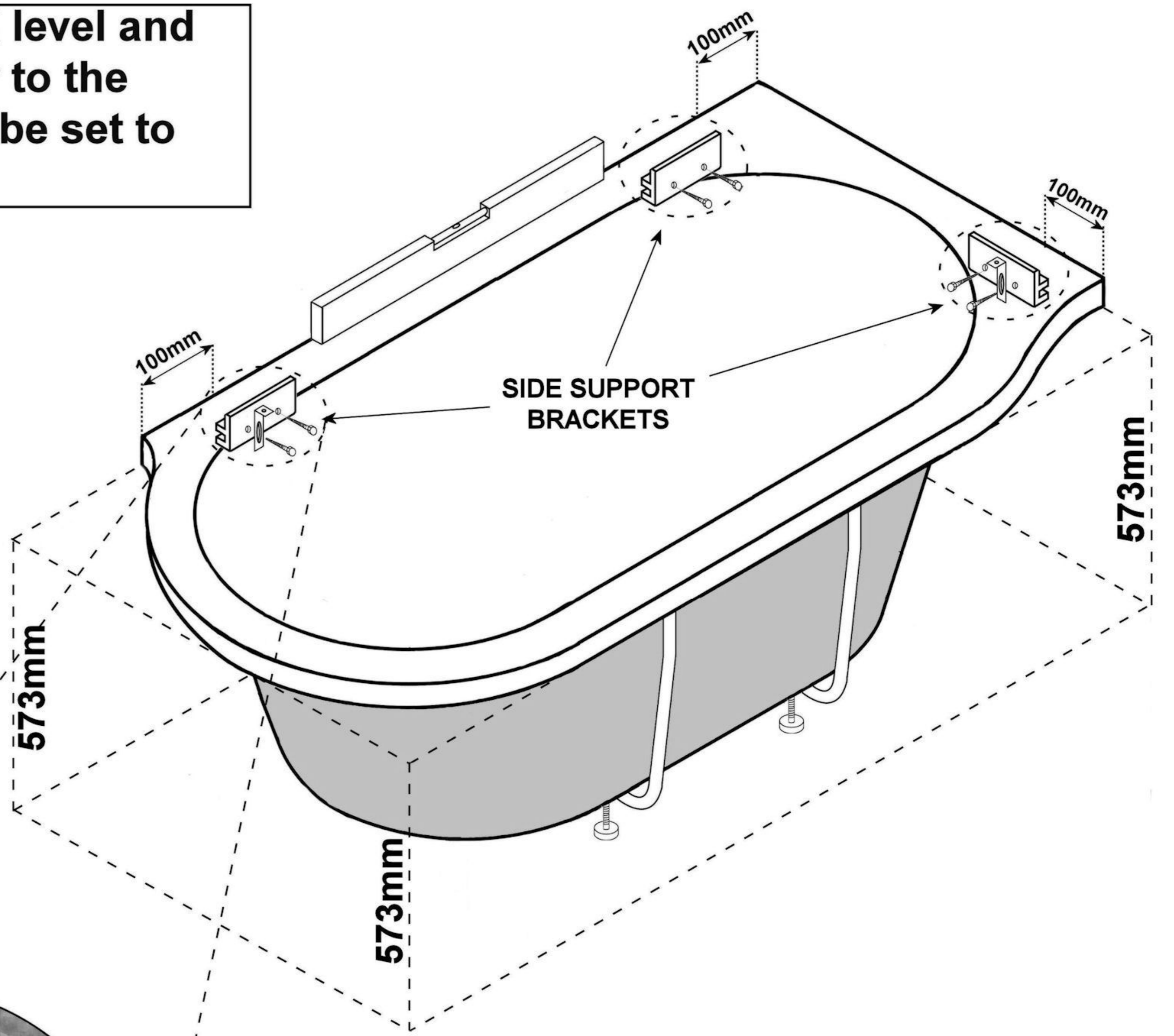
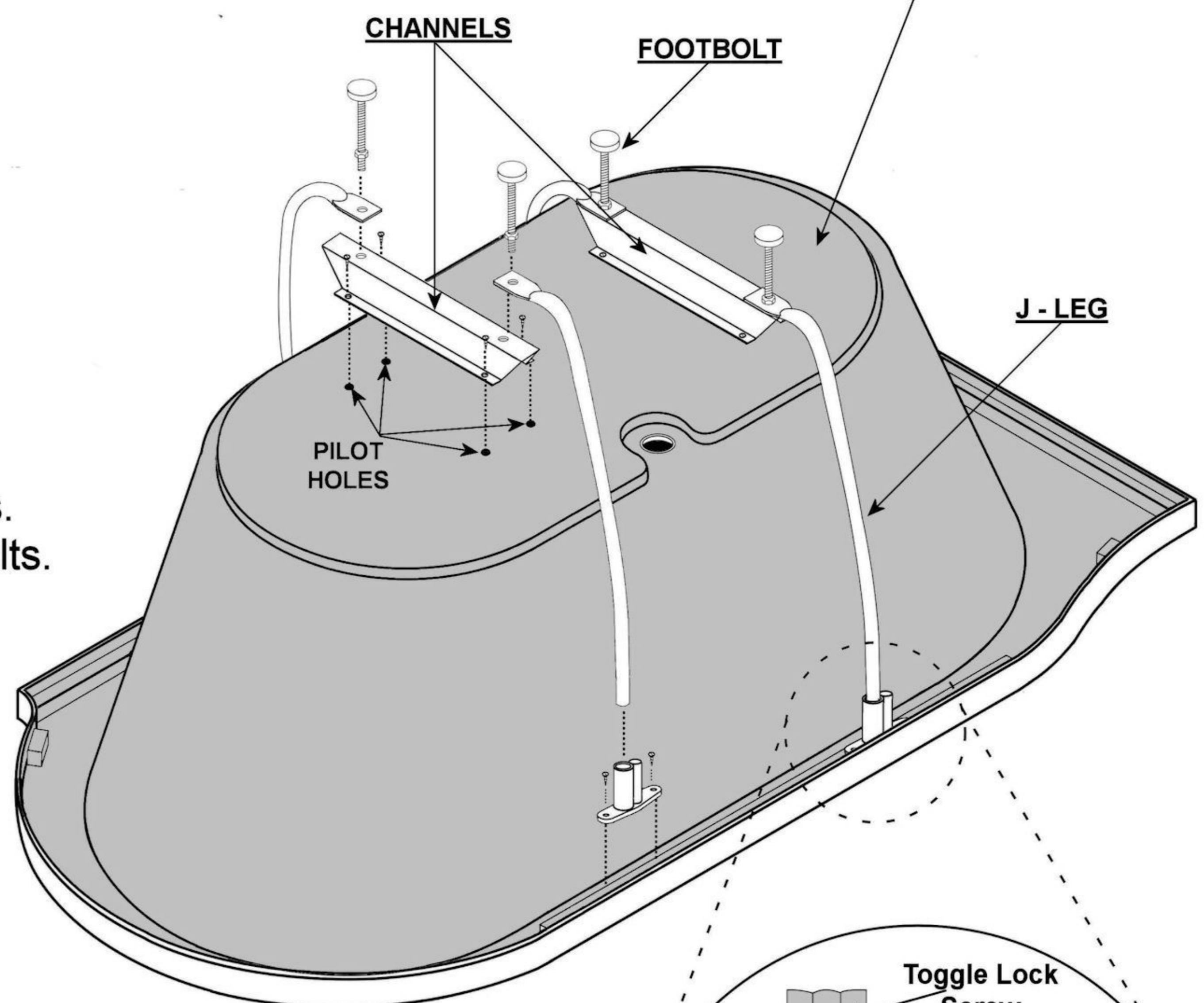


The bath must be installed level and the distance from the floor to the underside of the roll must be set to a minimum of **573mm**.

**A** Measure and fit the side support brackets to wall as shown.

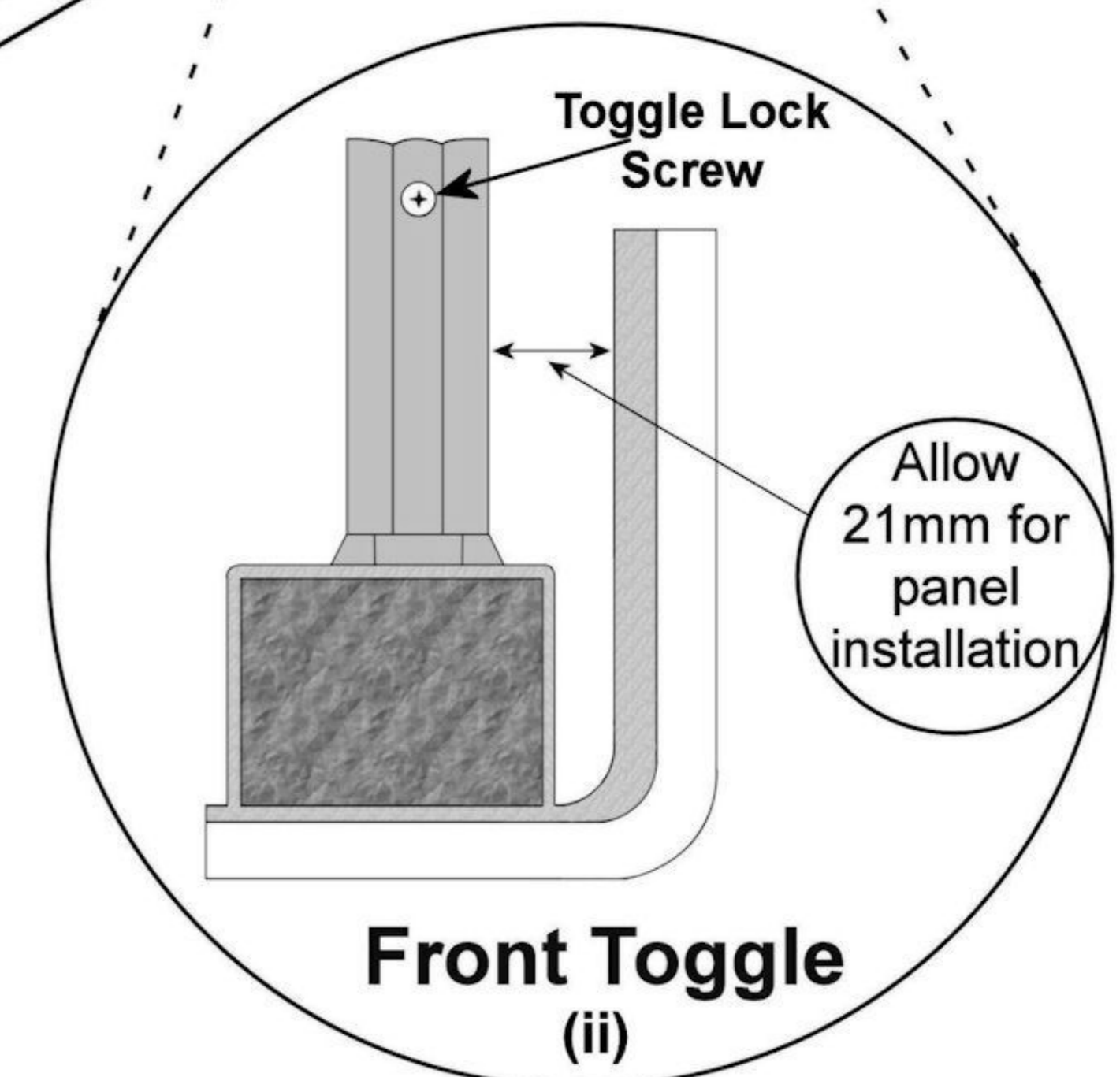


**B** Place the channels parallel on both ends of the baseboard, mark and drill pilot holes. (3mm  $\phi$ , 6mm deep max). Secure using 18mm x No.8 screws.



**C** Slide the black toggles onto the J-Legs. Secure J-Leg to channels using footbolts. Screw toggles to the bath with 18mm screws. Tighten toggle lock screw onto J-Leg. (ii)

As the bathtub depths may be different at opposite ends, the J-Legs do not fit to the bottom of the toggles.



**D** Invert the bath and adjust the feet so the bath is level and set to the correct height.

**E** Once the bath is in place, fit retaining brackets. (i)