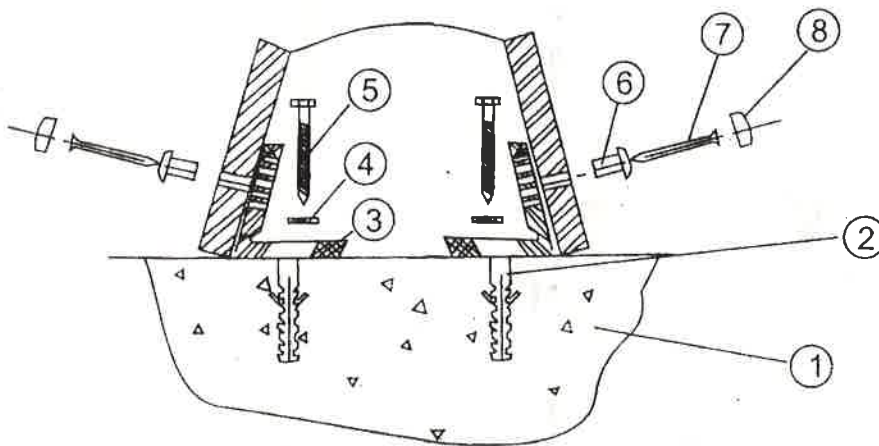


## Installation guide to screws

A general reading of this installation guide carefully is very necessary and helpful for your installing the screws rightly, please install the products according to this guide strictly and keep is well for any further checking.

1. Please check if all the parts as shown in the figure are ready and if there is any lack of the parts, please contact your local suppliers;
2. Please take apart all the parts before installation and keep them well to avoid any lose;



|   |                        |   |                             |
|---|------------------------|---|-----------------------------|
| ① | Flat con crete floor   | ⑥ | Wall nail tray              |
| ② | wall nail              | ⑦ | fixing screw of toilet seat |
| ③ | fixation bracket       | ⑧ | wall nail cover             |
| ④ | washer                 | ⑨ | toilet seat                 |
| ⑤ | fixation bracket screw |   |                             |

- 1 The toilet seat(9) should be installed on the flat concrete floor;
- 2 As shown in figure, drilling a hole on the wall and screw the wall nail(2) into the hole, put the fixation bracket(3) and the washer(4), then tighten fixation bracket(3) with the screw(5).
- 3 Put on the toilet seat (9) and inset the wall nail tray(6) in the anchor hole of the toilet seat, then tighten the fixing screw and put on the wall nail cover
- 4 After installation, please check if the toilet seat is firm or not, please check again if all the Parts were installed rightly.