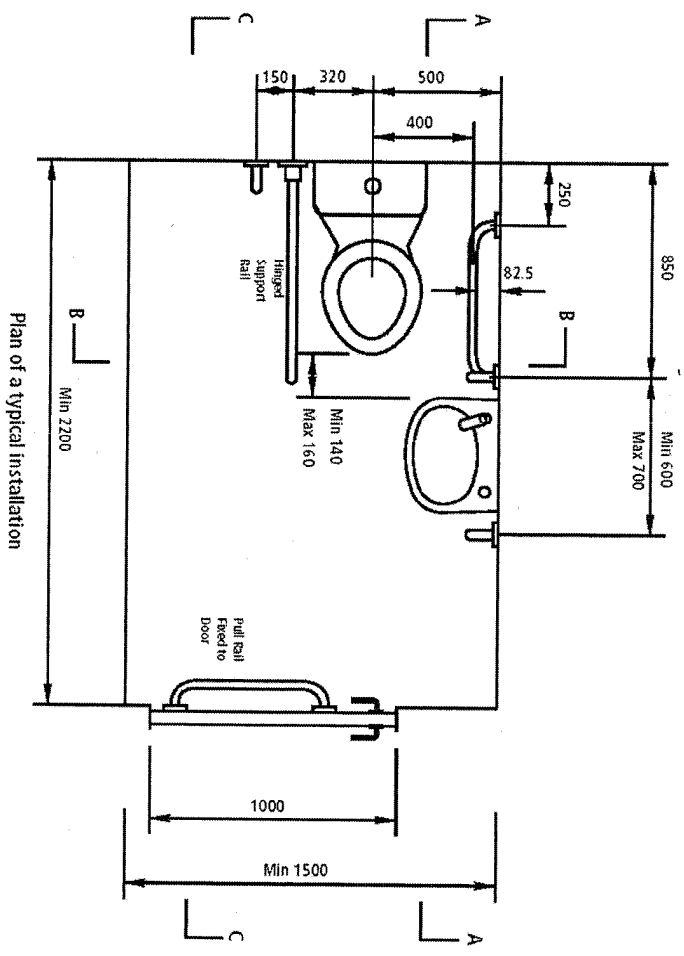
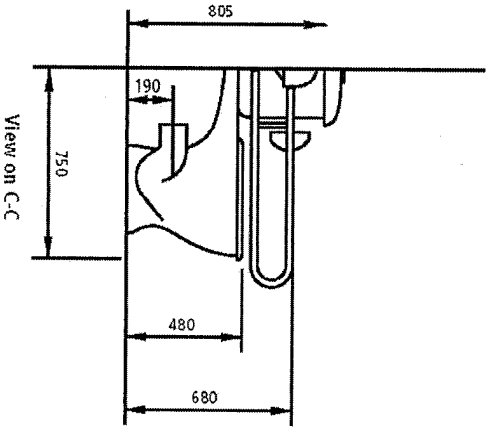
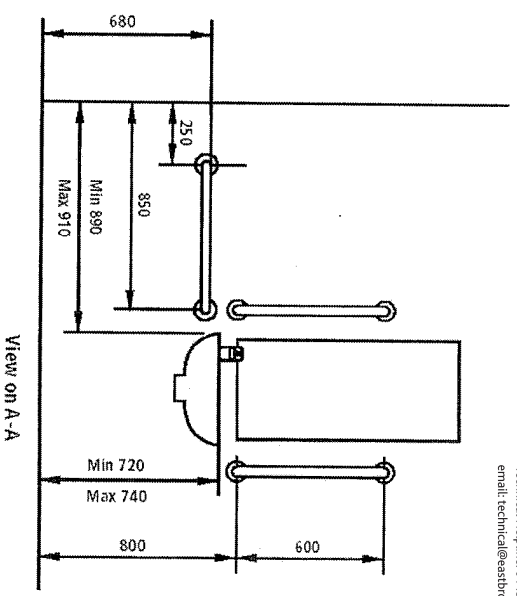
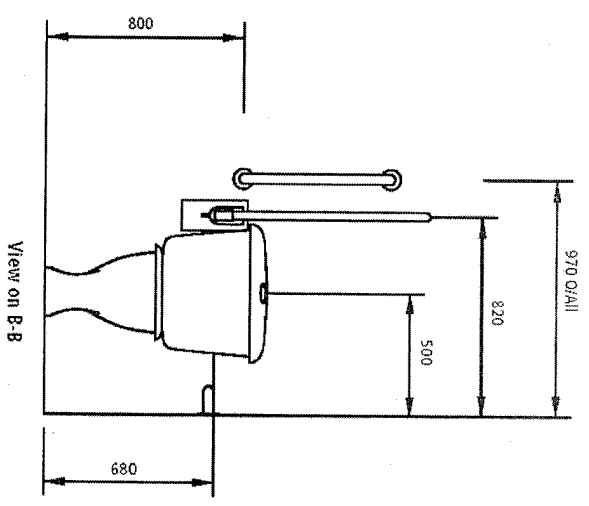


**Contents of pack:**

- 1 off White close coupled pan - 455mm high
- 1 off White push button cistern (bottom inlet)
- 1 off Push button cistern pack
- 1 off White seat (ring only)
- 1 off White wall hung basin 450 x 320mm
- 1 pair Basin hangers
- 1 off Chrome lever action spray mixer tap
- 1 off Chrome 40mm flush grated waste
- 1 off 32mm plastic bottle trap
- 5 off 600 x 35mm grab rails
- 1 off Hinged support rail including toilet roll holder



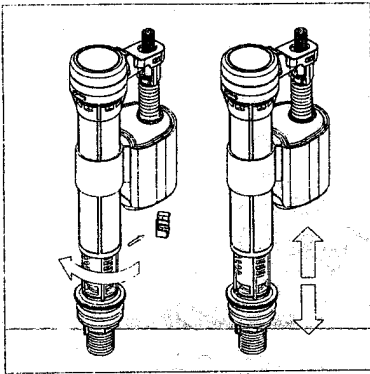
**Doc M Push Button C/C**

# Installation instruction

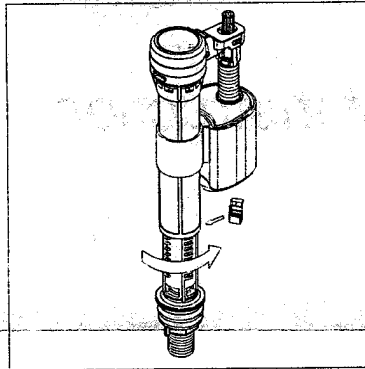
- NOTE: 1. KEEP INSTRUCTION SHEET FOR FUTURE REFERENCE.  
2. THE WASHER AND FILTER ARE JUST FOR 1/2" BOTTOM FEED.

WARNING: We shall not be responsible or liable for any failure of, or damage to, this plumbing product caused by use of chlorine (bleach) cleaners or related products added to the tank water. Use of such products will void the warranty and may result in product failure, possibly causing property damage. Do not overtighten plastic nuts.

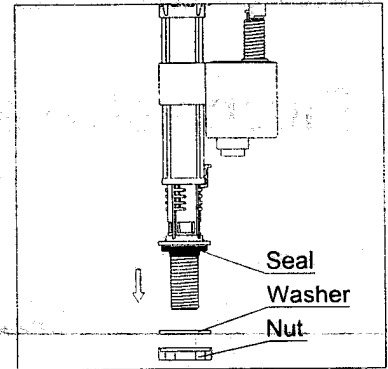
## Instruction for Fill Valve



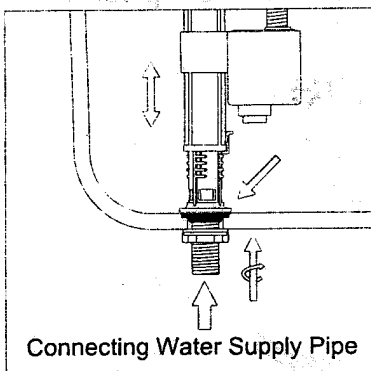
1. Uninstall the plug, turning the valve in anticlockwise. Adjust the height of valve by pushing the valve up and down.



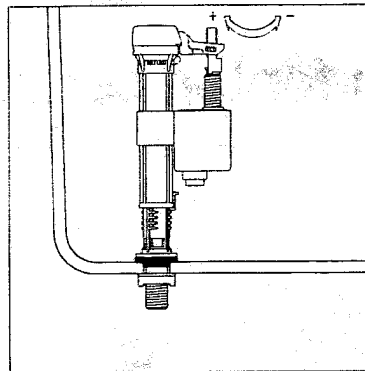
2. Turn the valve in clockwise and install the plug.



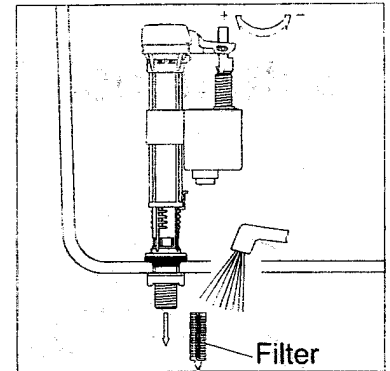
3. Uninstall the washer and nut as per picture.



4. Position the fill valve in the water tank, screw the washer and nut. Please take a note that the valve should not touch with anything.

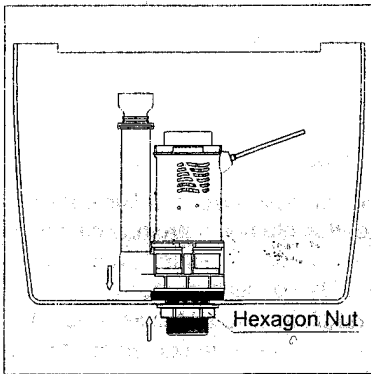


5. Adjust the water level by screwing the adjustment bolt, the water level should be under the overflow level not less than 2cm.

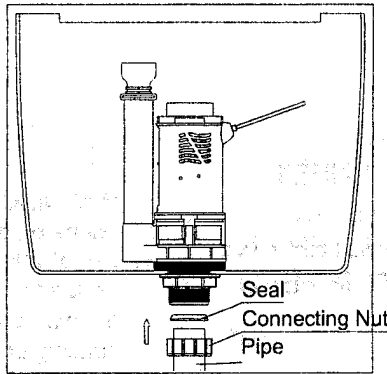


6. Clean the filter frequently.

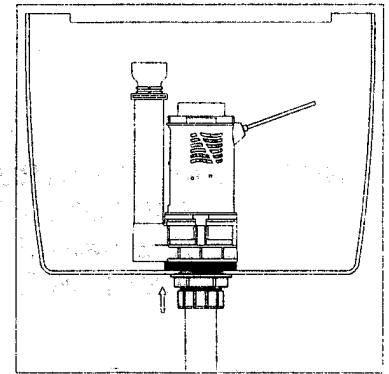
# Instruction for two-piece toilet



1. Insert the flush valve in the tank hole from inside. Adjust it to the proper place and tighten the hexagon nut from outside.

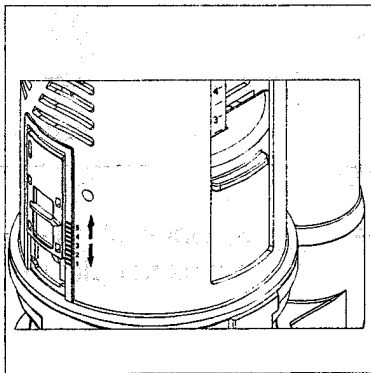


2. As picture shown, orderly put the connecting nut and seal on the pipe, then insert the pipe into the flush valve hole.

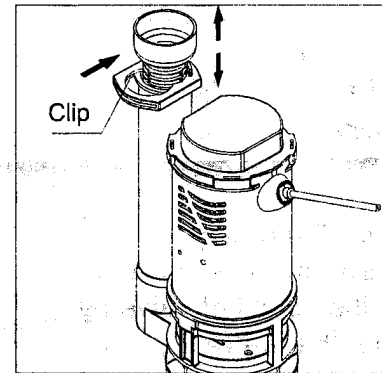


3. Screw the connecting nut to make sure the pipe is attached tightly to the flush valve.

# Flush valve adjust instruction

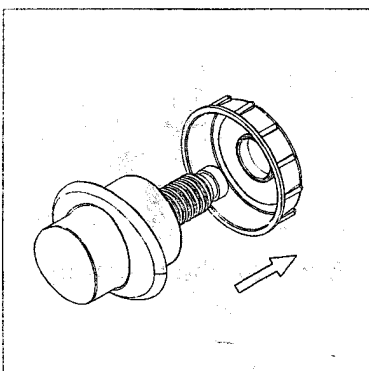


1. Adjust the full flush volume by sliding the full flush adjuster up and down.

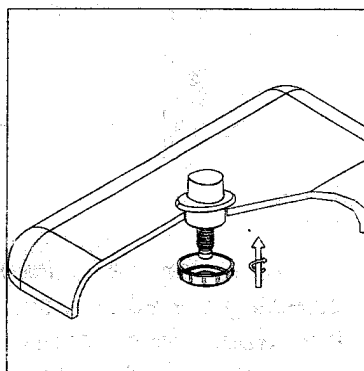


2. Slid the clip as per the picture, adjust the height of overflow pipe as you need. Put the clip back.

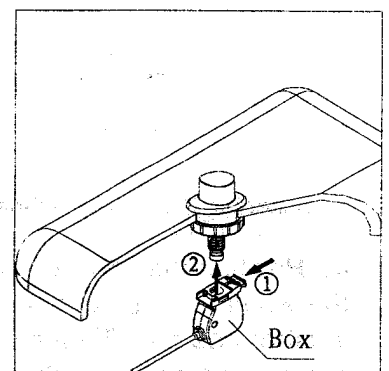
# Button installation for top ceramic hole



1. Unscrew the flanged nut.



2. Insert the button into the oval hole of tank and then screw up the flanged nut.



3. Push in switch box's green clip (1) to connect with the button body.