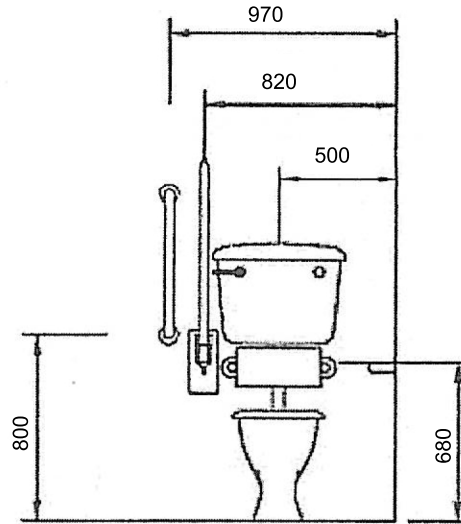


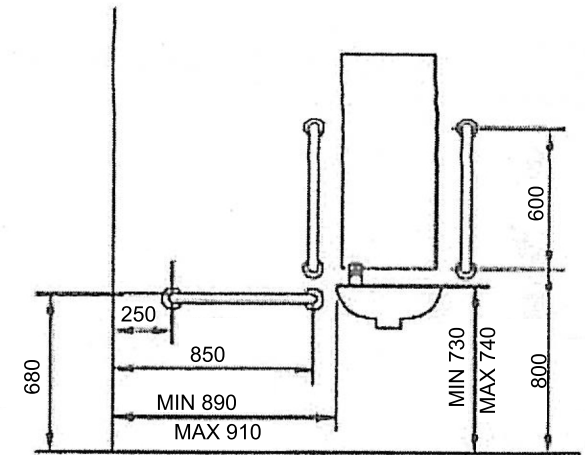
# DOC M LOW LEVEL

## Contents of pack:

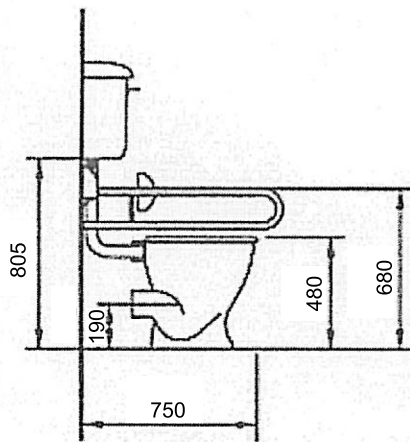
- 1 off White low level pan - 455mm high
  - 1 off White universal cistern with left or right handing (bottom inlet)
  - 1 off Cistern pack and white PVC flush pipe
  - 1 off Chrome spatula flushing lever handle
  - 1 off White seat (ring only)
  - 1 off White wall hung basin 450 x 320mm
  - 1 pair Basin hangers
  - 1 off Chrome lever action spray mixer tap
  - 1 off Chrome 32mm flush grated waste
  - 1 off 32mm plastic bottle trap
  - 5 off 600 x 35mm grab rails
  - 1 off Hinged support rail including toilet roll holder
  - 1 off Padded back rest support
- Claygate Stock Code 52 DMILL\*



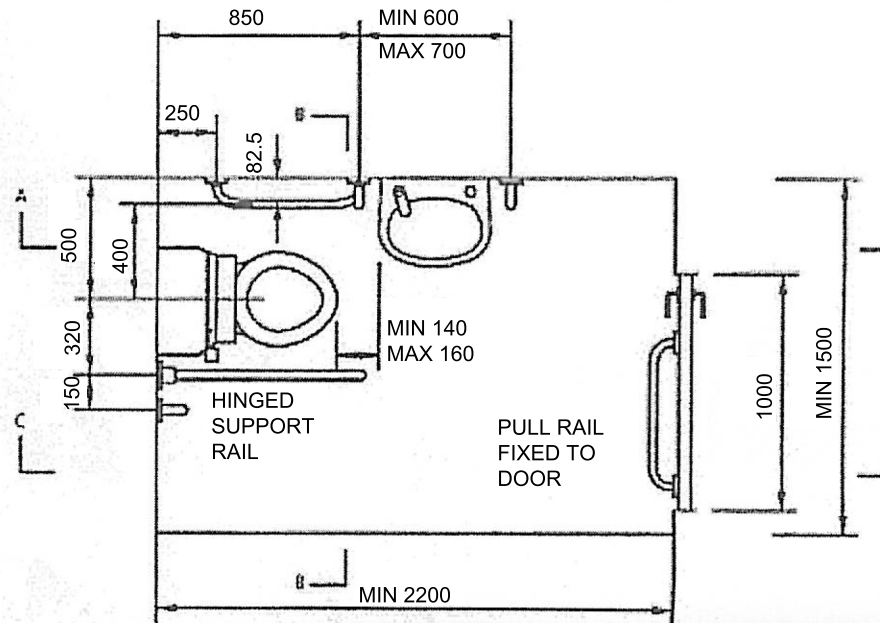
View on B-B



View on A-A



View on C-C



Plan of a typical installation



Eastbrook Road, Gloucester GL4 3DB  
 Technical Helpline: 01452 317890  
 email: [technical@eastbrookco.com](mailto:technical@eastbrookco.com)