

DATASHEET

Image



General Information

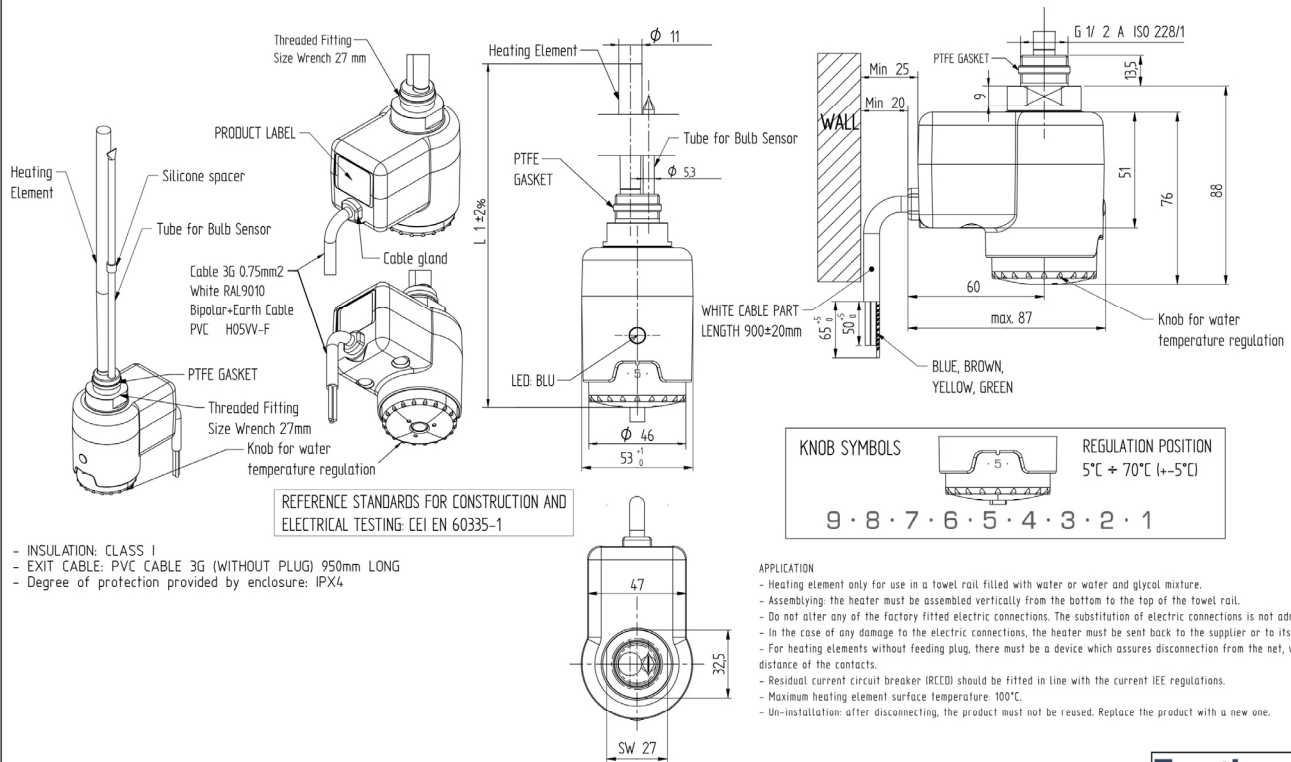
Product:	8.034
Description:	Type E Element 150W
Website Link:	(Click Here)
Product Type:	Heating Element
Brand:	Eastbrook Company
Colour:	Gloss White
Material:	
Net Weight (kg):	0.84kg
Product Range:	Type E Element

Product Specifications

Warranty:	1 Year(s)
Orientation:	
Watts:	150
Valve Types:	

Drawing

Type E Element - Gloss White Technical Drawing



REFERENCE STANDARDS FOR CONSTRUCTION AND ELECTRICAL TESTING: CEI EN 60335-1

- INSULATION: CLASS I
- EXIT CABLE: PVC CABLE 3G (WITHOUT PLUG) 950mm LONG
- Degree of protection provided by enclosure: IPX4

- APPLICATION**
- Heating element only for use in a towel rail filled with water or water and glycol mixture.
 - Assembling the heater must be assembled vertically from the bottom to the top of the towel rail.
 - Do not alter any of the factory fitted electric connections. The substitution of electric connections is not admitted.
 - In the case of any damage to the electric connections, the heater must be sent back to the supplier or to its quality service.
 - For heating elements without feeding plug, there must be a device which assures disconnection from the net, with a 3mm opening distance of the contacts.
 - Residual current circuit breaker (RCCB) should be fitted in line with the current IEE regulations.
 - Maximum heating element surface temperature: 100°C.
 - Un-installation: after disconnecting, the product must not be reused. Replace the product with a new one.

Eastbrook
 Eastbrook Road, Gloucester GL4 3DB
 Technical Helpline : 01452 317890
 Mon - Fri / 8am - 5pm
 Email : technical@eastbrookco.com