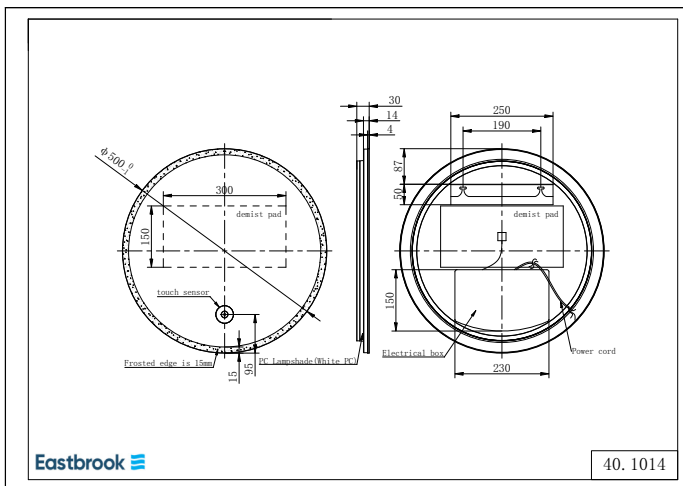


## DATASHEET

### Image



### Drawing



### General Information

Product:	40.1014
Description:	Conza 500x500mm LED mirror
Website Link:	<a href="#">(Click Here)</a>
Product Type:	LED Mirror
Brand:	Eastbrook Company
Colour:	White LED
Material:	Glass/Wood
Height (mm):	500mm
Width (mm):	500mm
Length (mm):	45mm
Net Weight (kg) (kg):	6kg
Product Range:	Conza

### Product Specifications

Warranty:	2 Year(s)
Shape:	Round
Supplied with fixings:	Yes
Mounting:	Wall