

DATASHEET

Image



General Information

Product:	12.079
Description:	15mm Angled TRV and Lockshield Valve
Brand:	Eastbrook Company
Colour:	Brushed Gunmetal
Material:	Brass + Plastic
Net Weight (kg):	0.45kg
Product Range:	Radiator Valves

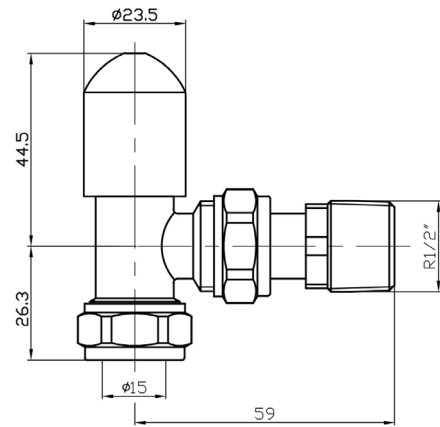
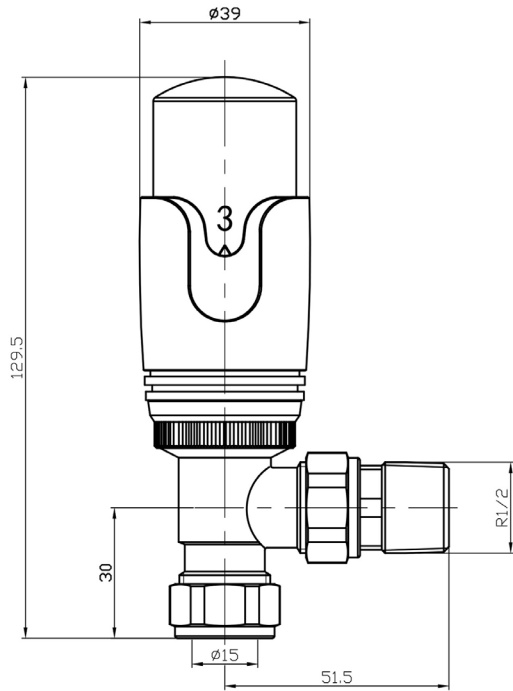
Product Specifications

Warranty:	2 Year(s)
Finish:	Brushed
Valve Types:	Angled

Drawing

Eastbrook

Angled Thermostatic Radiator Valve & Lockshield
Technical Drawing



12.047
12.041
12.031
41.3036
41.3023
41.3027
41.3029
41.3024
41.3025
12.076
12.079
12.085

Eastbrook 
Eastbrook Road, Gloucester GL4 3DB
Technical Helpline : 01452 317890
Mon - Fri / 8am - 5pm
Email : technical@eastbrookco.com