

DATASHEET

Image



General Information

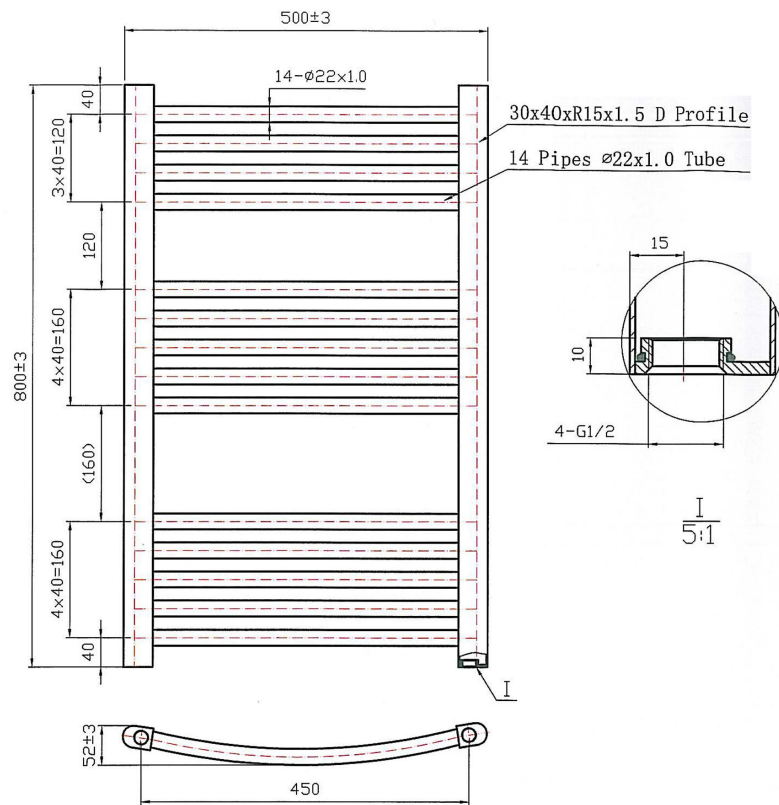
Product:	41.0033
Description:	Wendover Curved Multirail 800 x 500
Website Link:	(Click Here)
Product Type:	Towel Rail
Brand:	Eastbrook Company
Colour:	Chrome
Material:	Mild Steel
Height (mm):	800mm
Width (mm):	500mm
Net Weight (kg):	5.98kg
Product Range:	Wendover

Product Specifications

Warranty:	5 Year(s)
Supplied with fixings:	Yes
Orientation:	Portrait
BTU $\Delta T50^{\circ}\text{C}$:	832
BTU $\Delta T60^{\circ}\text{C}$:	1065
Watts $\Delta T50^{\circ}\text{C}$:	244
Watts $\Delta T60^{\circ}\text{C}$:	312

Drawing

Wendover Curved 800 x 500mm. Technical Drawing



800*500 14 pipes Curved

Eastbrook 
Eastbrook Road, Gloucester GL4 3DB
Technical Helpline : 01452 317890
Mon - Fri / 8am - 5pm
Email : technical@eastbrookco.com