

DATASHEET

Image



General Information

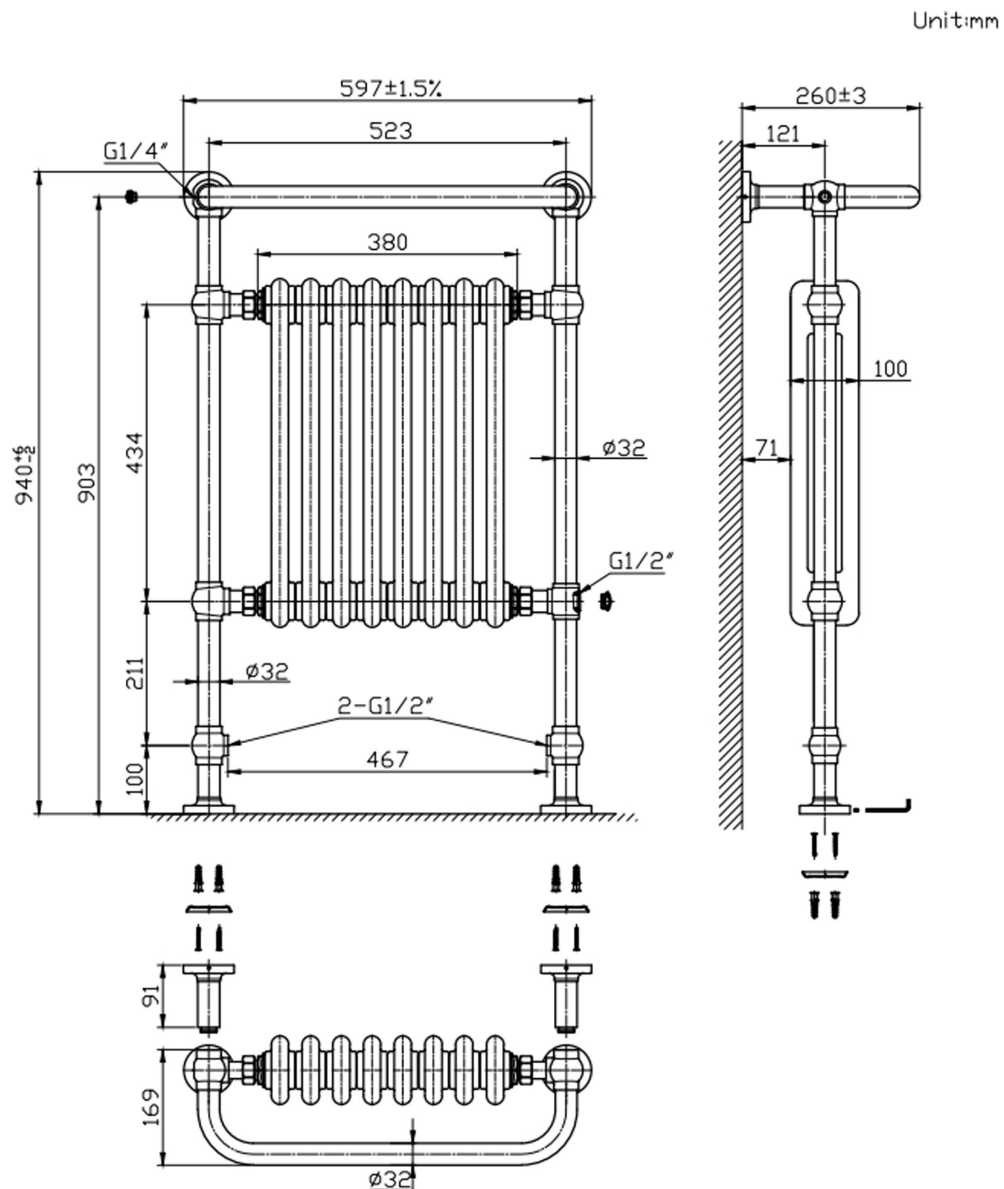
Product:	41.1000
Description:	Isbourne 940 x 600
Website Link:	(Click Here)
Product Type:	Towel Rail
Brand:	Eastbrook Company
Colour:	Chrome/Gloss White
Material:	Mild Steel
Height (mm):	940mm
Width (mm):	600mm
Net Weight (kg):	16.7kg
Product Range:	Isbourne

Product Specifications

Warranty:	5 Year(s)
Supplied with fixings:	Yes
Orientation:	Floor Standing
BTU $\Delta T50^{\circ}\text{C}$:	2383
BTU $\Delta T60^{\circ}\text{C}$:	3050
Watts $\Delta T50^{\circ}\text{C}$:	699
Watts $\Delta T60^{\circ}\text{C}$:	894

Drawing

Isbourne 940 x 600mm. Technical Drawing



Tappings : 467mm.
Tappings from wall : 121mm.
Distance from wall : 260mm.

This product should be fitted by a fully qualified installer.

Eastbrook 
Eastbrook Road, Gloucester GL4 3DB
Technical Helpline : 01452 317890
Mon - Fri / 8am - 5pm
Email : technical@eastbrookco.com