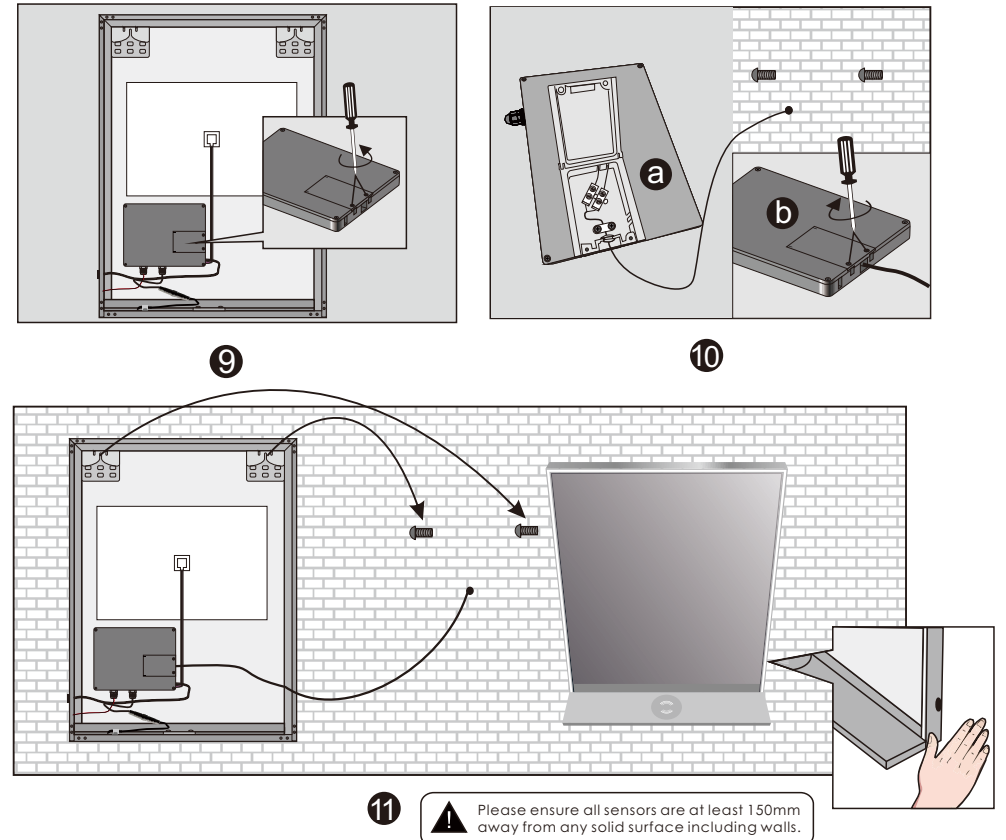
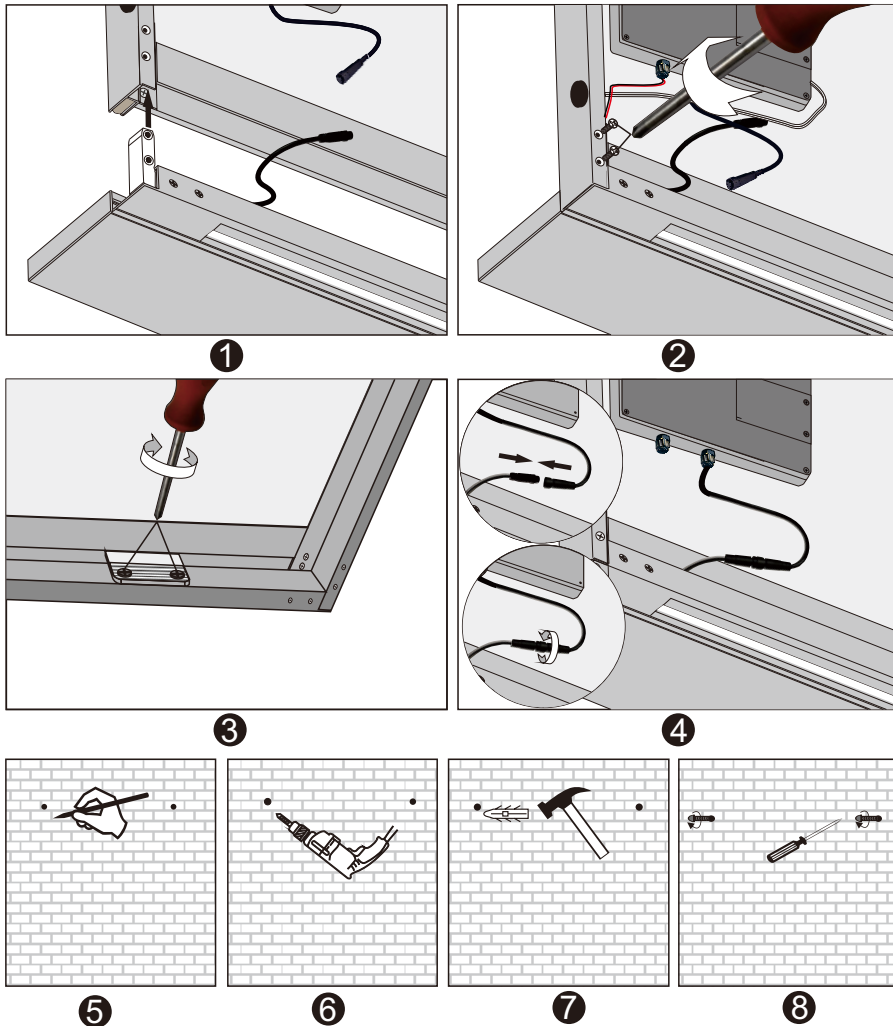


# INSTRUCTIONS

**Please Note:** To ensure proper operation of the mirror, wiring must be installed in accordance the current version of BS7671 regulations by a qualified electrician at the installation site. These products are intended for mounting only on solid indoor walls. Incorrect installation may cause product damage or personal injury.

CE IP44 



## Sensor Instructions

### 1. On/Off

Wave the hand close to the sensor, the light will be turned on/off.

### 2. To dim 20% 100%

When the light is on, and keep hand close to the sensor more than 1 second. The brightness will be dimmed or brighter. When move hand away from the sensor, the brightness will remain at the last level set.

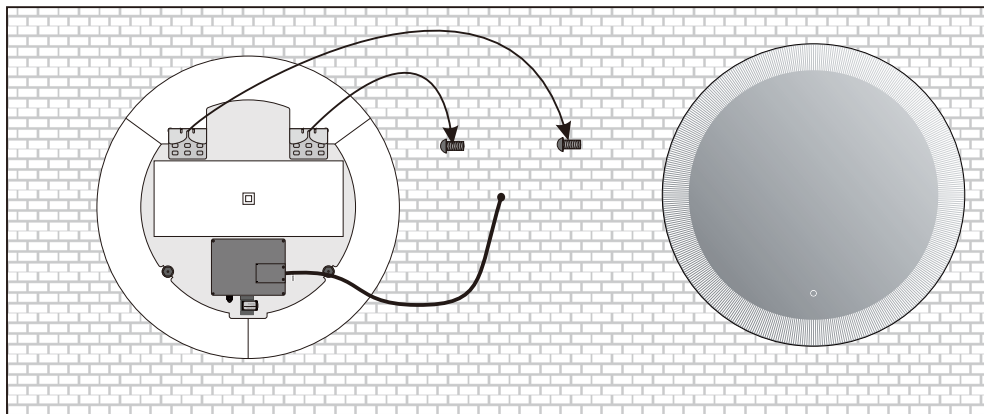
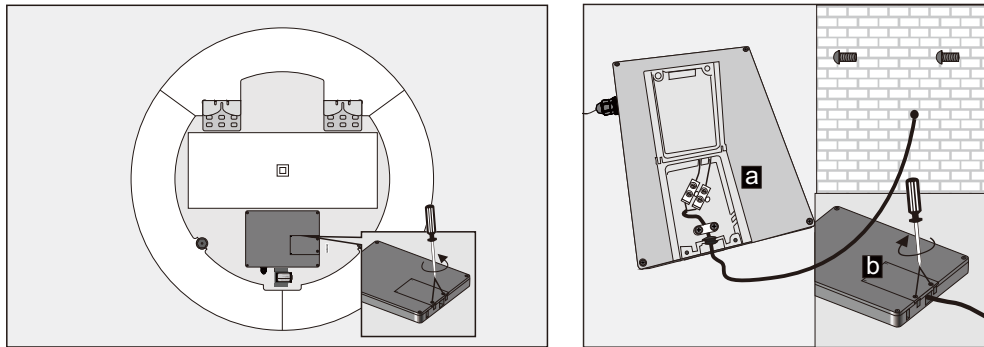
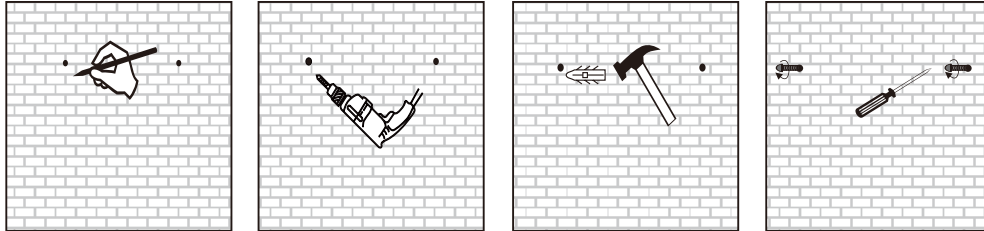
### 3. Adjustable colour temperature 2700K 6500K

When the light is off, and keep hand over the sensor for more than 1s, the light will be on and the color temperature will be changed, When move hand away from the sensor, color temperature will remain at the last level set. the coldest or warmest level will stop.

# INSTRUCTIONS

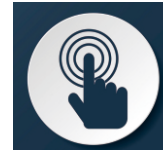
**Please Note:** To ensure proper operation of the mirror, wiring must be installed in accordance the current version of BS7671 regulations by a qualified electrician at the installation site. These products are intended for mounting only on solid indoor walls. Incorrect installation may cause product damage or personal injury.

CE IP44 



7

## Sensor Instructions



### 1. On/Off

To switch the light on / off: One single brief touch.

### 2. To dim 20% 100%

To dim the brightness: When the light is on, touch and hold on the sensor, the brightness will be change automatically, if it reaches its max brightness (100%) or minimum (20%) it will blink. Where you leave the brightness level this will be saved and will always be that level unless changed again as the mirror saves the last setting.

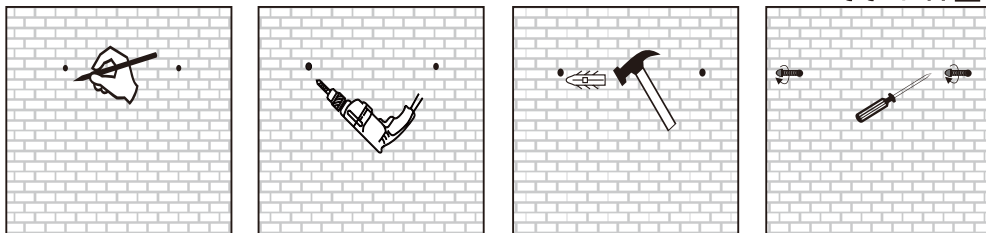
### 3. Adjustable colour temperature 2700K 6500K

To change the light colour: When the light is off, touch and hold the sensor, then wait for a short while, the light will turn on and the colour will gradually change through a cycle from the coolest (6500K) to the warmest (2700K). The mirror is designed to remember your last setting.

# INSTRUCTIONS

**Please Note:** To ensure proper operation of the mirror, wiring must be installed in accordance with the current version of BS7671 regulations by a qualified electrician at the installation site. These products are intended for mounting only on solid indoor walls. Incorrect installation may cause product damage or personal injury.

CE IP44 

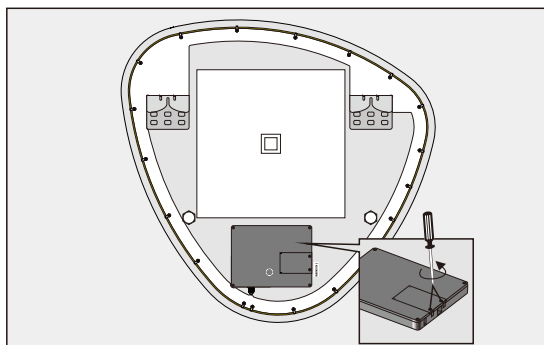


1

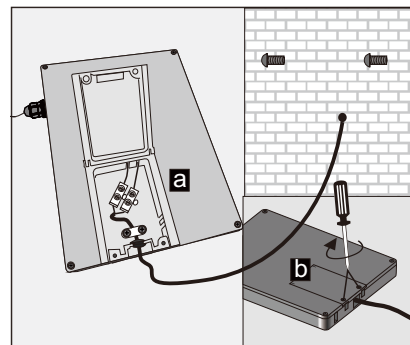
2

3

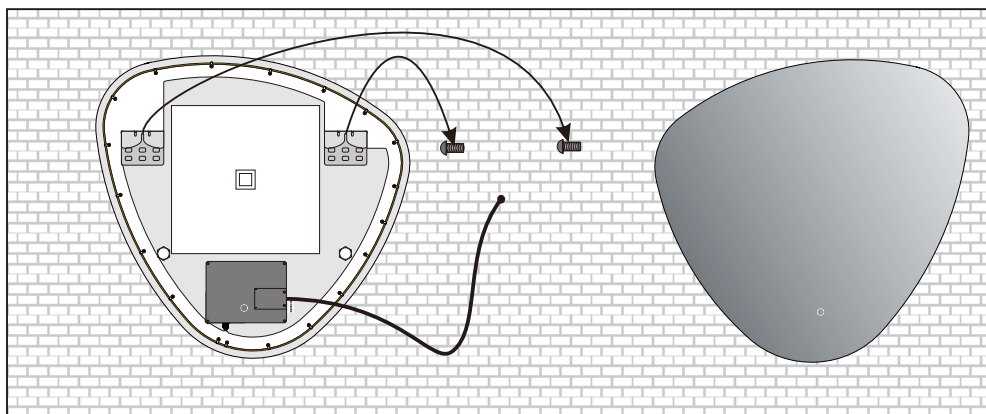
4



5

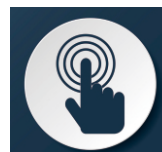


6



7

## Sensor Instructions



### 1. On/Off

To switch the light on / off: One single brief touch.

### 2. To dim 20% 100%

To dim the brightness: When the light is on, touch and hold on the sensor, the brightness will be change automatically, if it reaches its max brightness (100%) or minimum (20%) it will blink. Where you leave the brightness level this will be saved and will always be that level unless changed again as the mirror saves the last setting.

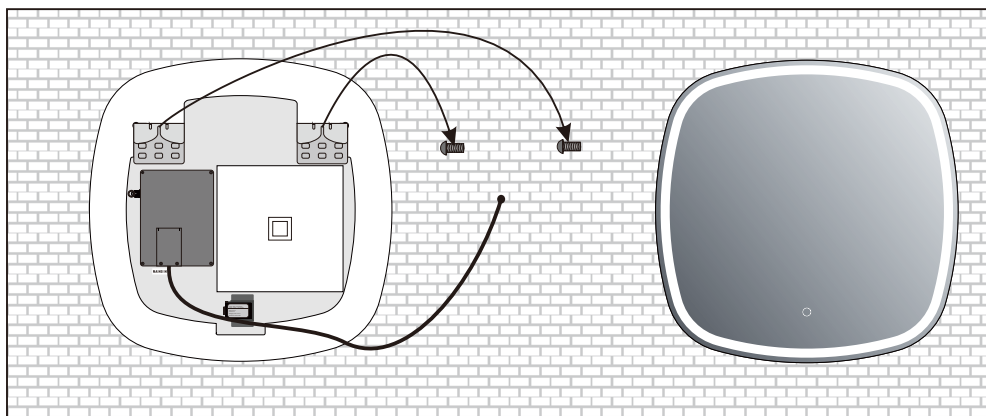
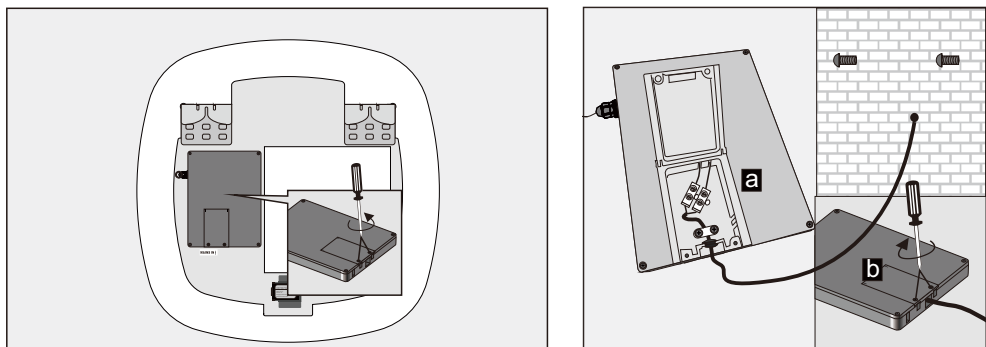
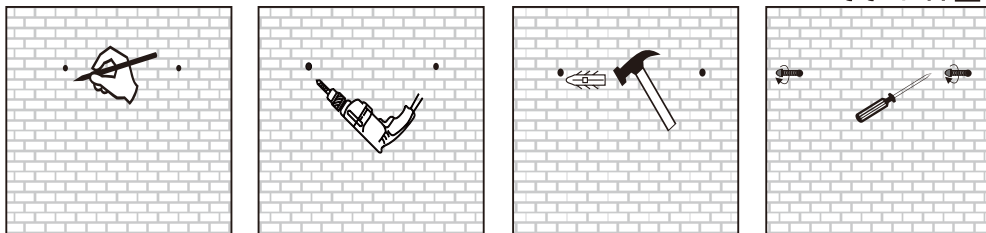
### 3. Adjustable colour temperature 2700K 6500K

To change the light colour: When the light is off, touch and hold the sensor, then wait for a short while, the light will turn on and the colour will gradually change through a cycle from the coolest (6500K) to the warmest (2700K). The mirror is designed to remember your last setting.

# INSTRUCTIONS

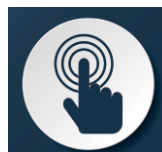
**Please Note:** To ensure proper operation of the mirror, wiring must be installed in accordance the current version of BS7671 regulations by a qualified electrician at the installation site. These products are intended for mounting only on solid indoor walls. Incorrect installation may cause product damage or personal injury.

CE IP44 



7

## Sensor Instructions



### 1. On/Off

To switch the light on / off: One single brief touch.

### 2. To dim 20% 100%

To dim the brightness: When the light is on, touch and hold on the sensor, the brightness will be change automatically, if it reaches its max brightness (100%) or minimum (20%) it will blink. Where you leave the brightness level this will be saved and will always be that level unless changed again as the mirror saves the last setting.

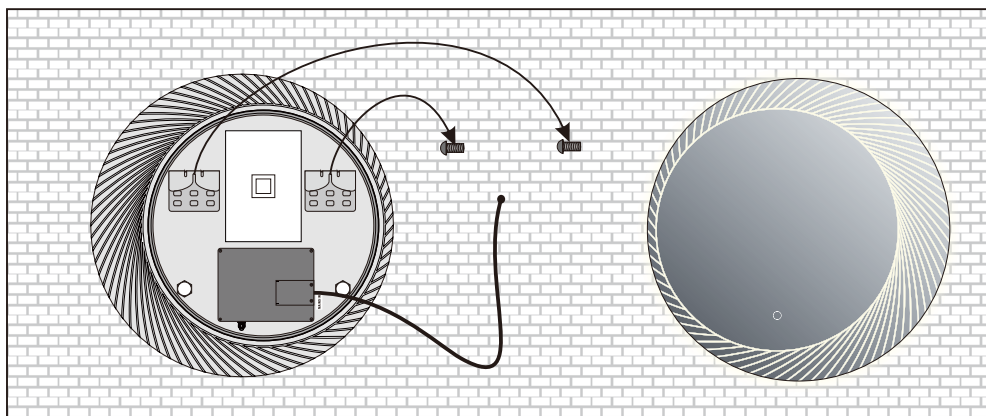
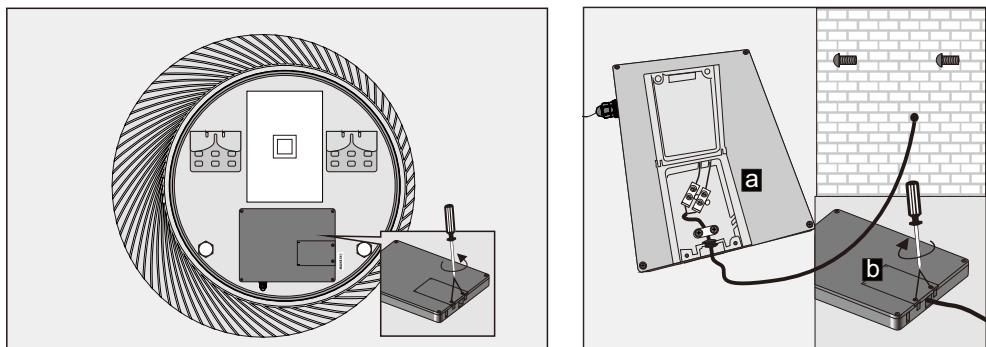
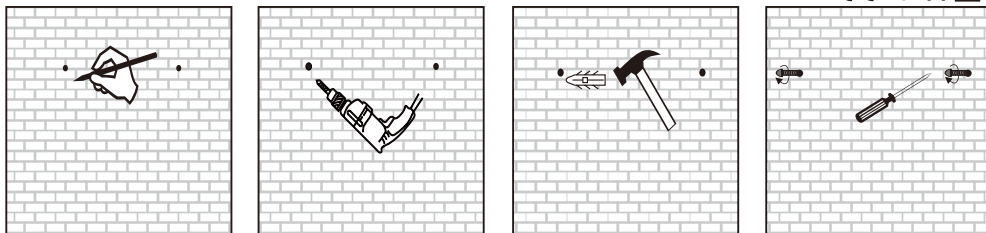
### 3. Adjustable colour temperature 2700K 6500K

To change the light colour: When the light is off, touch and hold the sensor, then wait for a short while, the light will turn on and the colour will gradually change through a cycle from the coolest (6500K) to the warmest (2700K). The mirror is designed to remember your last setting.

# INSTRUCTIONS

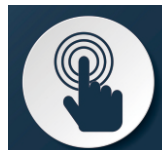
**Please Note:** To ensure proper operation of the mirror, wiring must be installed in accordance the current version of BS7671 regulations by a qualified electrician at the installation site. These products are intended for mounting only on solid indoor walls. Incorrect installation may cause product damage or personal injury.

CE IP44 



7

## Sensor Instructions



### 1. On/Off

To switch the light on / off: One single brief touch.

### 2. To dim 20% 100%

To dim the brightness: When the light is on, touch and hold on the sensor, the brightness will be change automatically, if it reaches its max brightness (100%) or minimum (20%) it will blink. Where you leave the brightness level this will be saved and will always be that level unless changed again as the mirror saves the last setting.

### 3. Adjustable colour temperature 2700K 6500K

To change the light colour: When the light is off, touch and hold the sensor, then wait for a short while, the light will turn on and the colour will gradually change through a cycle from the coolest (6500K) to the warmest (2700K). The mirror is designed to remember your last setting.