

DATASHEET

Image

Basin Only



General Information

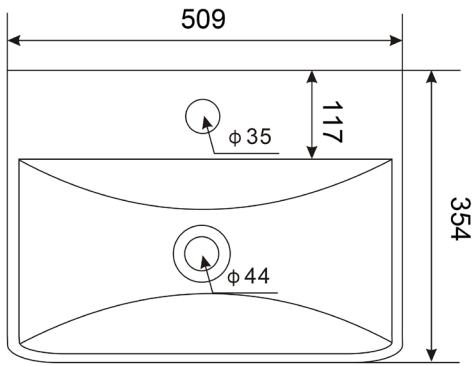
Product:	37.1013
Description:	Cavone II Ceramic Basin 355x505
Website Link:	(Click Here)
Product Type:	Basin
Brand:	Eastbrook Company
Colour:	White
Material:	Ceramics
Height (mm):	135mm
Width (mm):	355mm
Length (mm):	505mm
Net Weight (kg):	9kg
Product Range:	Cavone II

Product Specifications

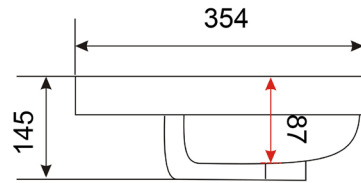
Warranty:	5 Year(s)
Finish:	Ceramic

Drawing

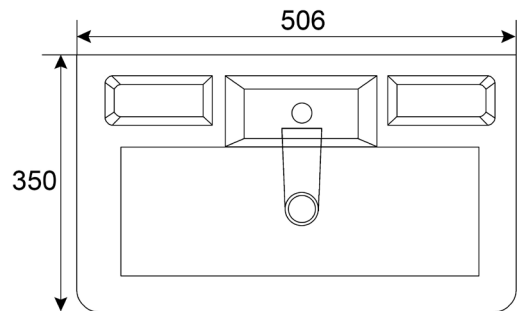
TOP VIEW



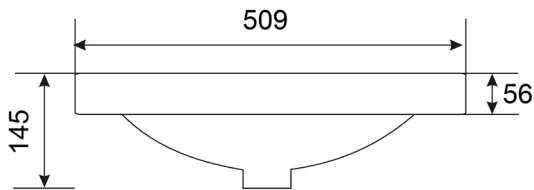
SIDE VIEW



BACK VIEW



FRONT VIEW



Tolerance: $\pm 5\text{mm}$

Unit: mm