

DATASHEET

Image



General Information

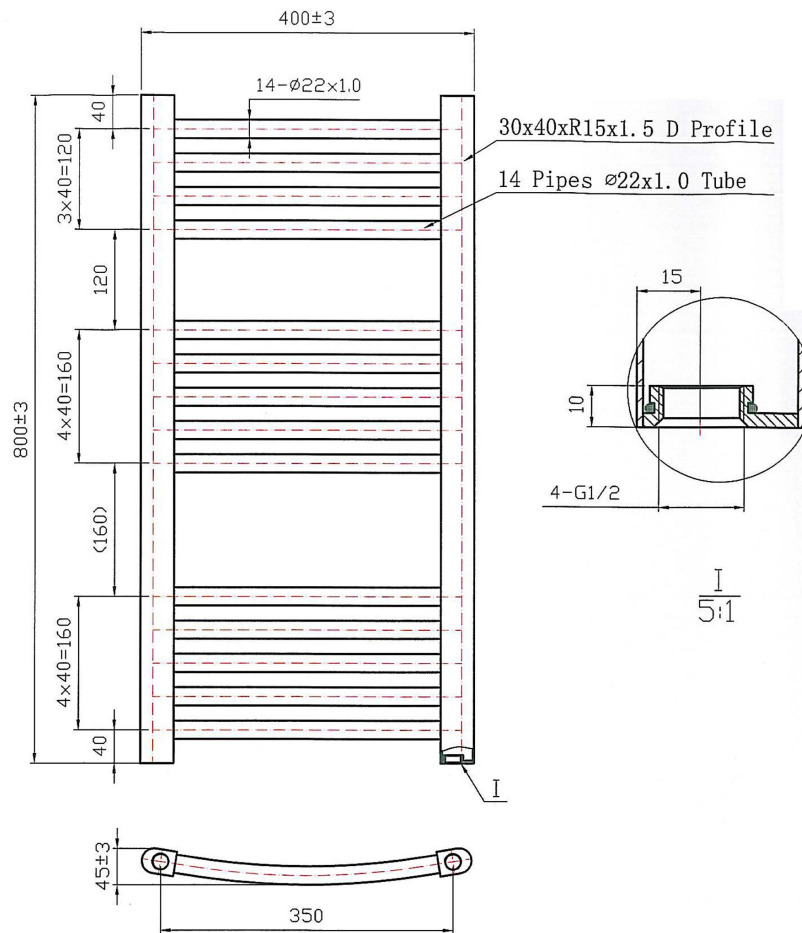
Product:	41.0031
Description:	Wendover Curved Multirail 800 x 400
Website Link:	(Click Here)
Product Type:	Towel Rail
Brand:	Eastbrook Company
Colour:	Chrome
Material:	Mild Steel
Height (mm):	800mm
Width (mm):	400mm
Net Weight (kg):	5.1kg
Product Range:	Wendover

Product Specifications

Warranty:	5 Year(s)
Supplied with fixings:	Yes
Orientation:	Portrait
BTU $\Delta T50^{\circ}\text{C}$:	701
BTU $\Delta T60^{\circ}\text{C}$:	897
Watts $\Delta T50^{\circ}\text{C}$:	206
Watts $\Delta T60^{\circ}\text{C}$:	263

Drawing

Wendover Curved 800 x 400mm. Technical Drawing



800*400 14 pipes Curved