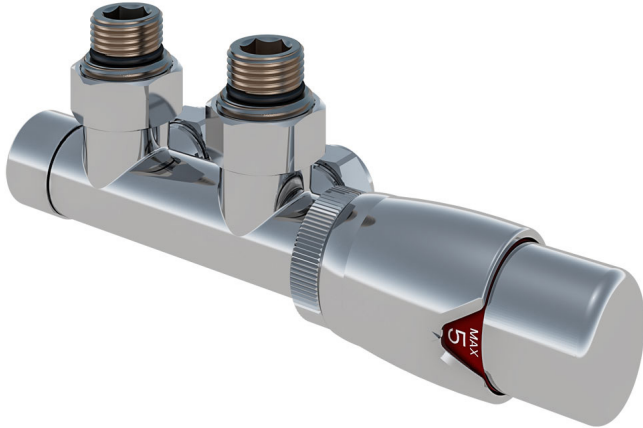


DATASHEET

Image



General Information

Product:	54.0015
Description:	Angle Twin inlet Thermostatic Radiator Valve 15mm
Website Link:	(Click Here)
Product Type:	Radiator Valve
Brand:	Eastbrook Company
Colour:	Chrome
Material:	Brass + Plastic
Net Weight (kg):	0.77kg
Product Range:	Radiator Valves

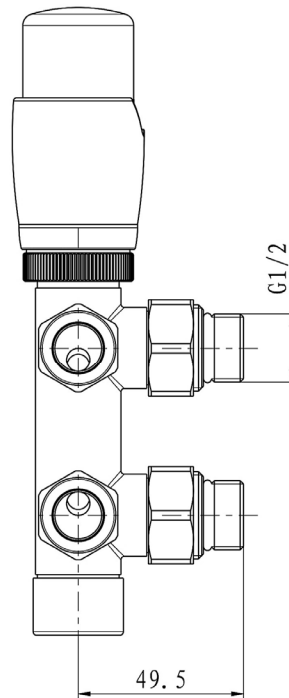
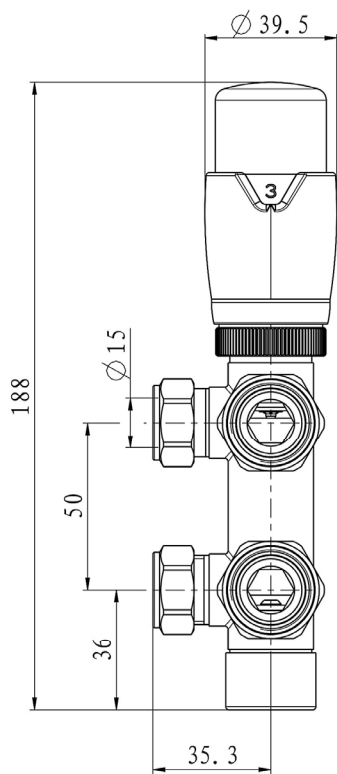
Product Specifications

Warranty:	2 Year(s)
Valve Types:	Twin Inlet

Drawing

Angle Twin Inlet TRV Technical Drawing

54.0014 - 54.00015



Eastbrook 
Eastbrook Road, Gloucester GL4 3DB
Technical Helpline : 01452 317890
Mon - Fri / 8am - 5pm
Email : technical@eastbrookco.com