

DATASHEET

Image



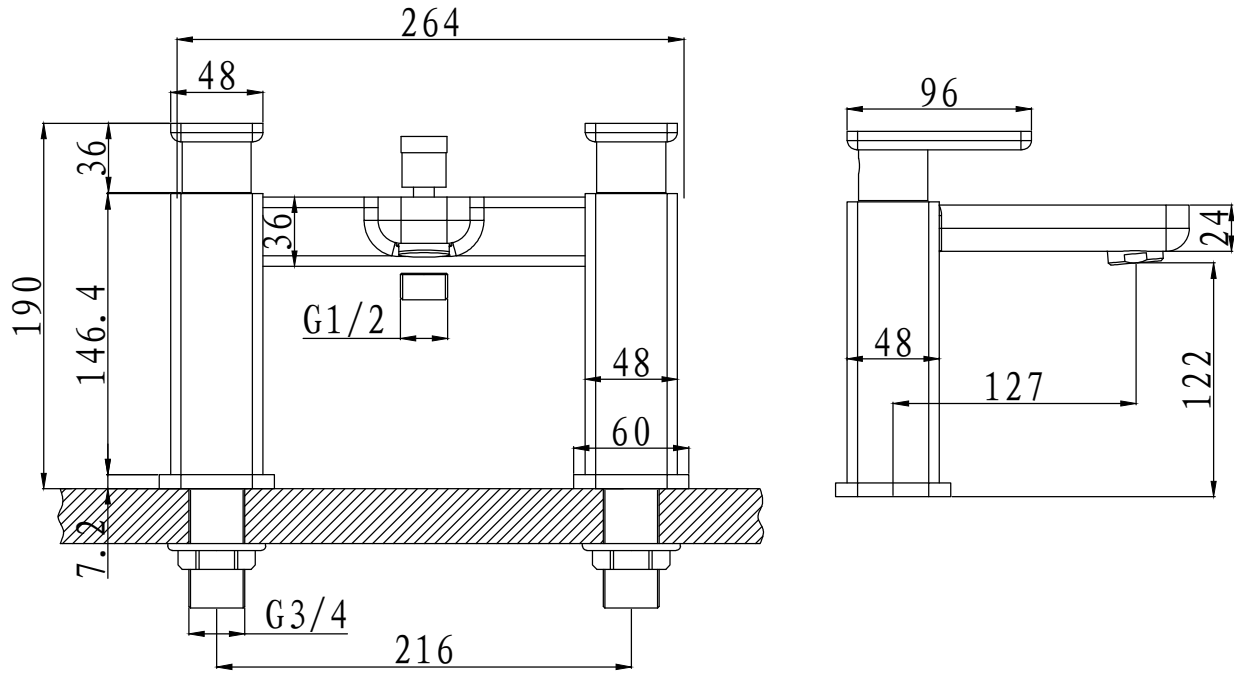
General Information

Product:	56.2050
Description:	Firth BSM inc kit
Website Link:	(Click Here)
Product Type:	Clearance BSM
Brand:	Eastbrook Company
Colour:	Chrome
Height (mm):	190mm
Width (mm):	264mm
Length (mm):	151mm
Net Weight (kg):	3.67kg
Product Range:	Firth

Product Specifications

Warranty:	5 Year(s)
-----------	-----------

Drawing



56.2050