

## DATASHEET

### Image



### General Information

Product:	41.3038
Description:	15mm Straight TRV and Lock-shield Valve
Website Link:	<a href="#">(Click Here)</a>
Product Type:	Radiator Valve
Brand:	Eastbrook Company
Colour:	Chrome/Gloss White
Material:	Brass + Plastic
Net Weight (kg):	0.43kg
Product Range:	Radiator Valves

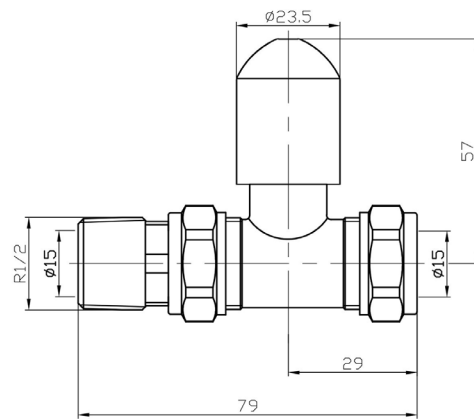
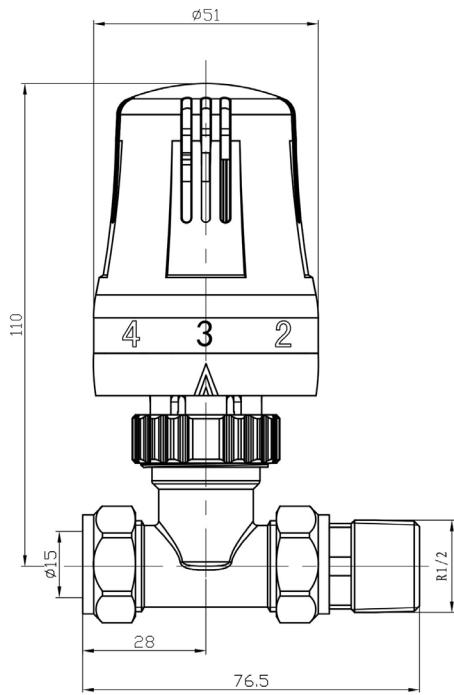
### Product Specifications

Warranty:	2 Year(s)
Valve Types:	Straight

## Drawing

### Straight TRV with Lockshield 15mm Technical Drawing

41.3038



**Eastbrook**   
Eastbrook Road, Gloucester GL4 3DB  
Technical Helpline : 01452 317890  
Mon - Fri / 8am - 5pm  
Email : [technical@eastbrookco.com](mailto:technical@eastbrookco.com)