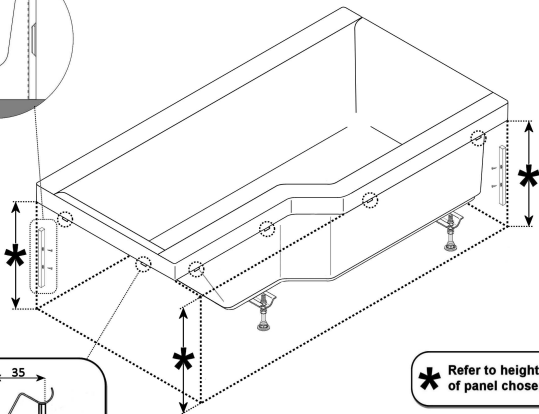
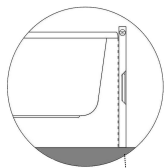
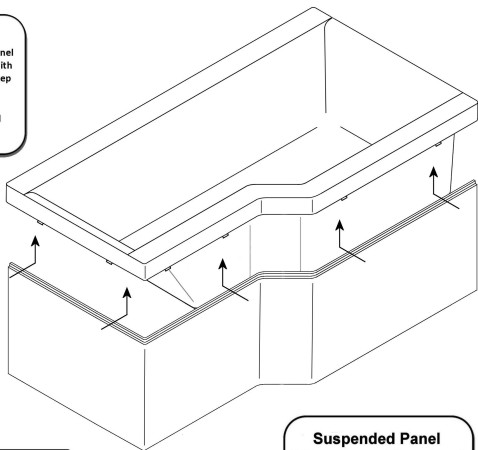
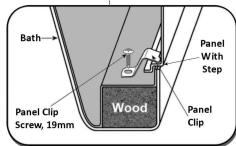
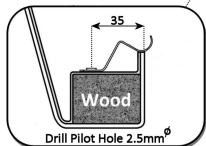


# PANEL INSTALLATION



\* Refer to height of panel chosen.



Suspended Panel  
5-8mm gap at floor level

**LP-HM-0125**