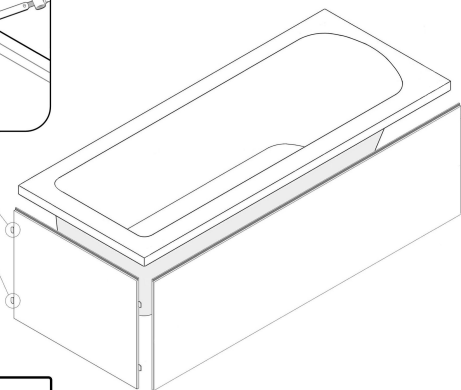
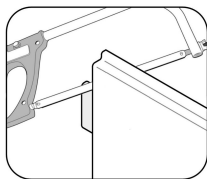
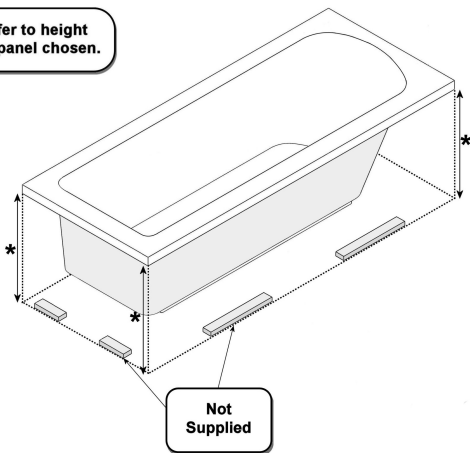


PANEL INSTALLATION

* Refer to height of panel chosen.



LP-UK-0079B