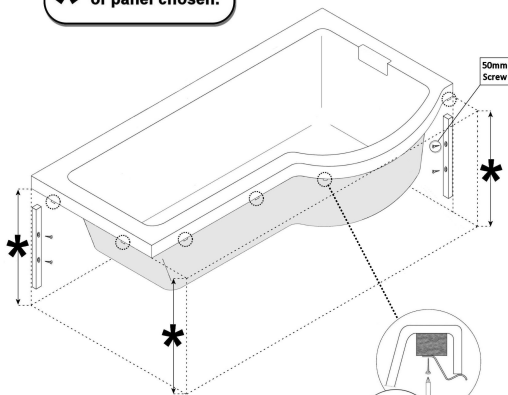


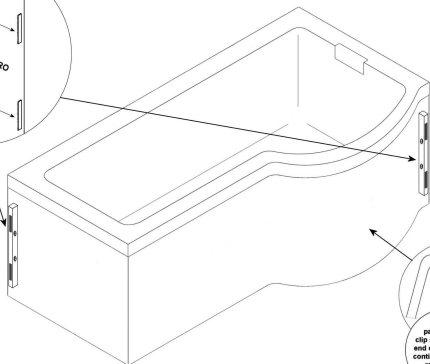
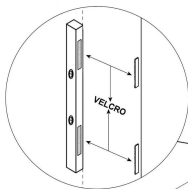
PANEL INSTALLATION

* Refer to height of panel chosen.



The panel is supplied to fit but if the walls are uneven or the walls are tiled making the panel too long, you may have to cut the ends of the panel to fit. This is done using a fine toothed saw.

Screw the clips to the blocks underneath the bath roll. Screw locations are pre-drilled.



Insert the panel into the clip starting at one end of the bath and continue all the way round to the other end.

Suspended Panel
5-8mm gap at floor level

LP-UK-0096B