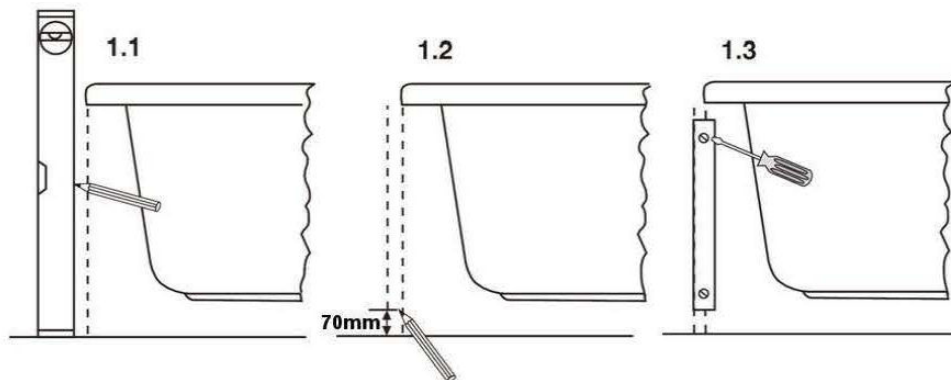
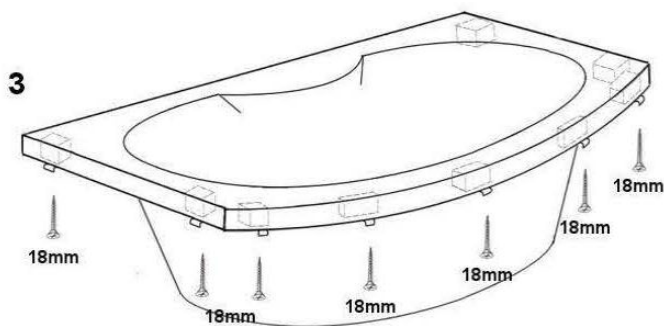
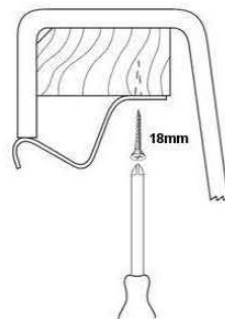


BOWFRONT - Panel Installation



1 If an end panel is required this should be installed first. Fit the wall block as shown with the groove to the inside, cut the two locating pieces on the panel that goes against the wall. This is done using a fine toothed saw.

2 Screw the clips to the blocks underneath the bath roll. Screw locations are pre-drilled.



4 Insert the panel into the clip starting at one end of the bath and continue all the way round to the other end.

