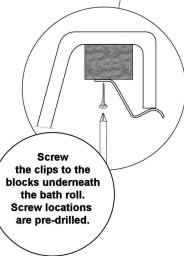
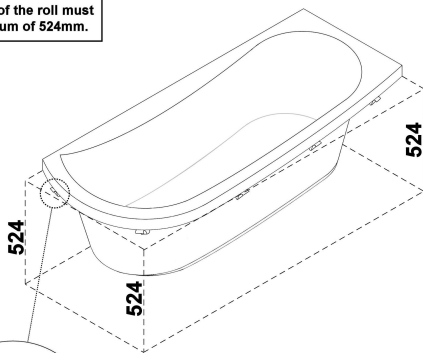


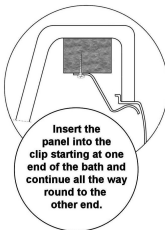
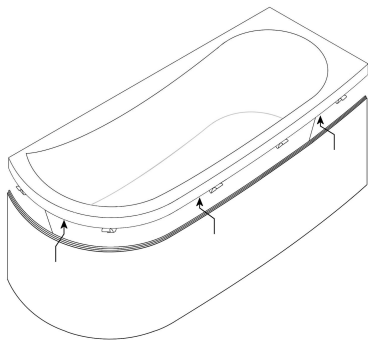
Donna

Agenda - Panel Installation

The bath must be installed level and the distance from the floor to the underside of the roll must be set to a minimum of 524mm.



Screw the clips to the blocks underneath the bath roll. Screw locations are pre-drilled.



Insert the panel into the clip starting at one end of the bath and continue all the way round to the other end.

The panel is supplied to fit but if the walls are uneven or the walls are tiled making the panel too long, you may have to cut the ends of the panel to fit. This is done using a fine toothed saw.

LP-UK-0062