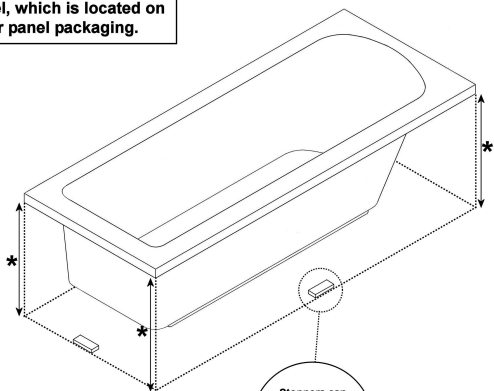
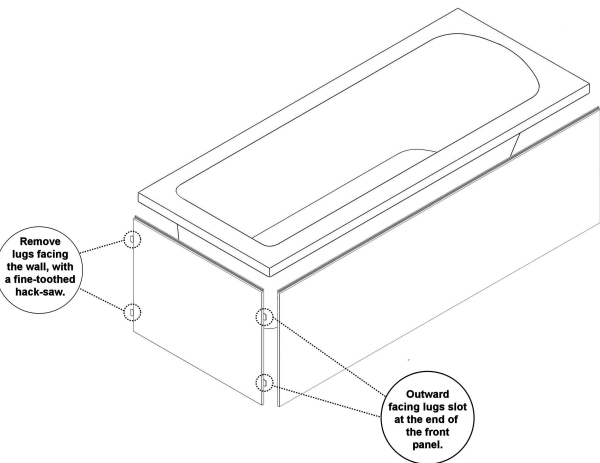


Donna

* Refer to the panel height label, which is located on your panel packaging.



Stoppers can be placed on the floor if required, though not necessary. Stoppers not supplied with kit.



Remove lugs facing the wall, with a fine-toothed hack-saw.

Outward facing lugs slot at the end of the front panel.

**Front & End Panel
Installation Guide**



LP-UK-0079