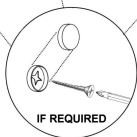
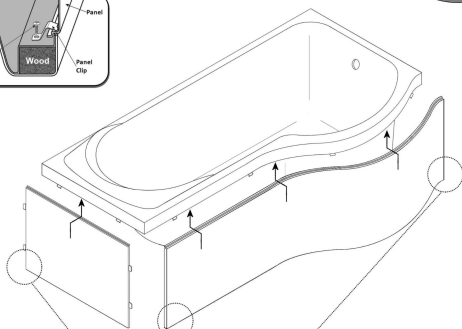
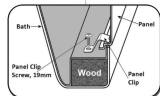
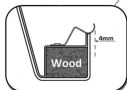
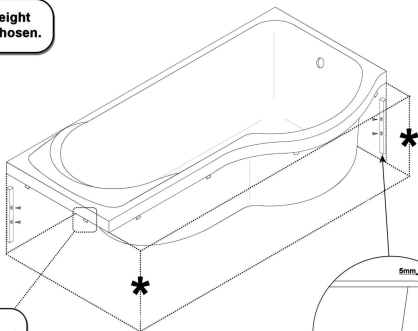


# PANEL INSTALLATION

\* Refer to height of panel chosen.



**Suspended Panel  
5-8mm gap at floor level**

**LP-UK-0097C**