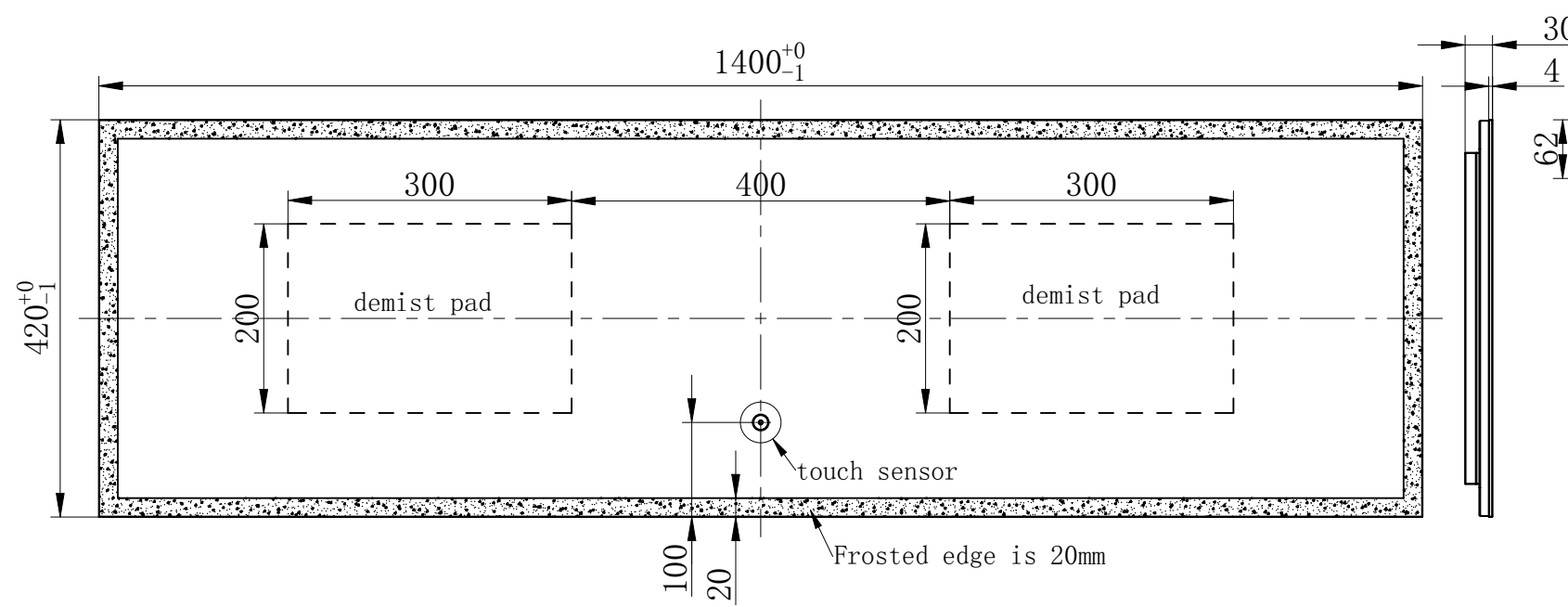
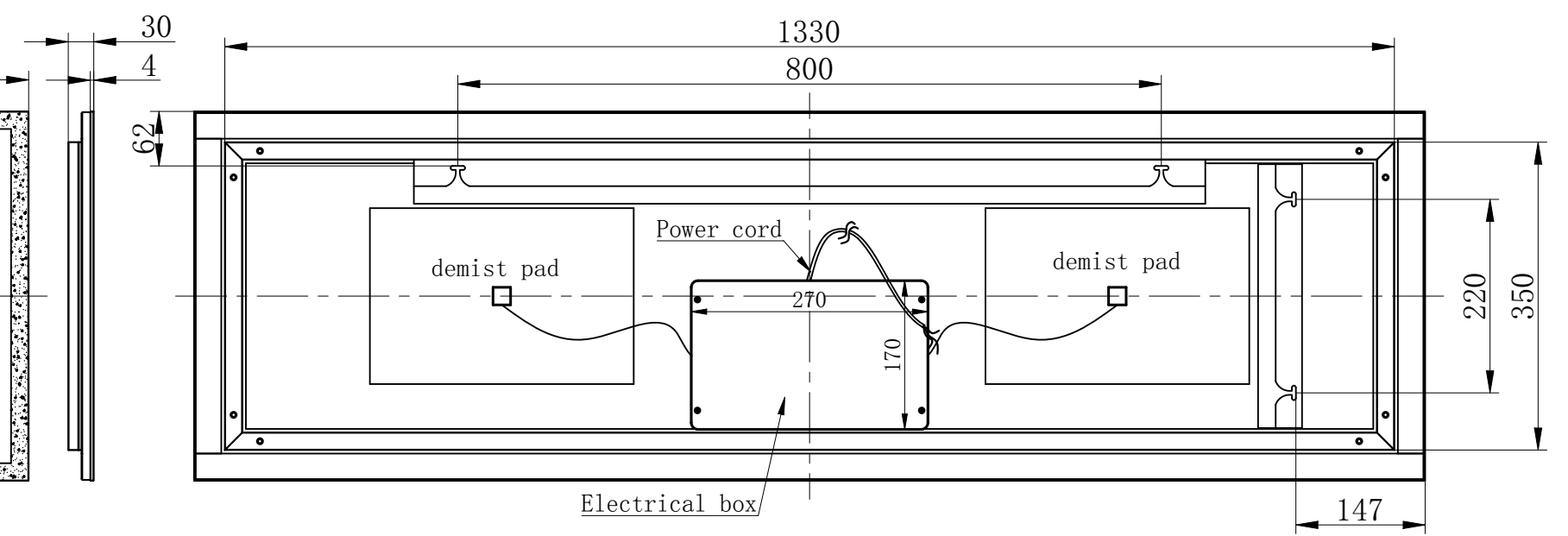


front view (horizontal)



front view (vertical)



back view (vertical)